

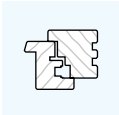
**AXOR**™

AXOR

# KOMFORT LINE K-3

Hardware for timber window

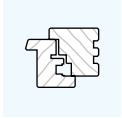




## Content

**AXOR**™

	General product information
1	Hinges
2	Gears
3	Corner transmissions/ Middle locks
4	Stay arm
5	Additional elements
6	Hardware set combinations
7	Installation Tools
8	Profile-dependent elements



## ▶ Hardware system KOMFORT LINE K-3

The KOMFORT LINE K-3 is a system of window hardware in the product line of AXOR INDUSTRY Company. In order to create it our designers set a goal to invent the hardware which would provide a simple assembly for window producers, ergonomic opening and closing, as well as, safety for users.

The KOMFORT LINE K-3 - first of all it is attention to details, which found its reflection in the quality of hardware system.



### Application range

All window furniture in our catalogue is intended exclusively for the internal opening of windows and balcony doors.

The system K3 has been provided in such assemblies as, tilt and turn opening, single turn opening, single tilt opening and double sash opening as well.

### Hardware elements

All sets of hardware, which were indicated in this catalogue, must consist only from original elements of AXOR INDUSTRY. Otherwise the producer won't be able to guarantee the work of hardware properly.

So, for each type of a sash, it is possible to set optional elements for additional functionality of one. These elements were marked with following colors:

**Red** – base safety;

**Grey** – possible–optional equipment.

### Quality

All products of AXOR INDUSTRY corresponds according to technical norms of DSTU Б В.2.6-39:2008, GOST 30777-2001, GOST 538-2001, EN 13126-8 which regulate the main requirements of tilt and turn hardware.

### Assembly

So, for accurate an assembly and for further correct work of hardware it is necessary to follow instructions of this catalogue.

#### Fixing of details:

The handle with screws M5 x 40mm.

The elements of a sash and the locking plates: self-tapping window chromated screws 4,0 x 25 mm or 3,9 x 26 mm.

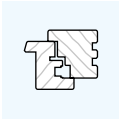
The elements of hinges group: galvanized or alternatively chromated screws with flat head and cross-shaped slot, DIN 7982 3,9 x 32 mm or 3,9 x 38 mm.

Preliminary drilling is necessarily for these screws. Perforation instead of drilling is forbidden. Drill diameter is 0,8 diameter of a screw.

Settings of electric- or pneumatic screwdriver: maximum torque is 2.5 Nm, rotation speed: max 600 - 1000 rpm.

**In case of non-compliance of these catalogue's recommendations for assembly and exploitation, the producer AXOR INDUSTRY cannot guarantee properly work of separate elements, as well as, the work of hardware system in whole.**

**The AXOR INDUSTRY Company reserves the right, in a process of further an improvement and development, to make technical changes of product KOMFORT LINE K-3, and also to change packaging norms.**



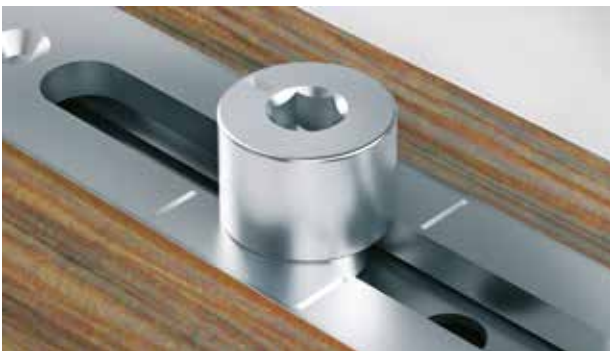
### ▶ The locking pins of KOMFORT LINE K-3

The basic system of window hardware KOMFORT LINE K-3 was equipped with cylindrical pins of sliding.

Thus, as additional option it is possible to complement separate elements of a sash, such as, a corner transmission and middle lock with a mushroom pin, to conform the base safety level.

In order to ensure air and water permeability of window and balcony door units in accordance with the GOST 23166 and DSTU Б В.2.6-39:2008 standards, the construction of turn, tilt and tilt&turn devices shall ensure that the contact between the sash (leaf) and the frame remains tight and even for the entire duration of service life, based on recommendations from the profile system manufacturers, the use of a certain type of gasket and observance of the required size of gap under the gasket (GOST 30777-2012), which means that when assembling a tilt-and-turn (turn) window, the manufacturer must receive recommendations regarding the number of and the distance between the locking points directly from the timber profile manufacturer, in writing and with the explanation of these requirements.

The adjustment range of locking pins is +/- 1 mm. The diameter of pins is 11mm.



### Technical features of Komfort Line K-3

- 1) All elements of hardware have holders which allow fixing ones in the fitting groove before screwing by screws and to prevent moving along of fitting groove during assembly of a sash.
- 2) There is an opportunity to fix the finger of the corner bearing at the extreme bottom position under angle 180° in order to make an assembly more comfortable by a screw gun, so the finger is not falling down and hindering to screw the screws.
- 3) There is a plastic bush, of high-strength polymer, inside of the drill-in corner hinge, which prevents unscrewing of an adjustable screw during the turning of a sash. Thus there is not any creak during of the turning of a sash. The adjustable screw of the drill-in corner hinge was fixed primordially in the central position to exclude unscrewing during transportation and exploitation of end product.
- 4) The antitheft locking plates with mushroom pins of the corner transmission and middle lock together allow equipping a window according to requirements of the base safety according to EN 1627, EN 1630.
- 5) The wrong operation safety device with sash lifter is universal for left and right opening. There is a fixation of the central position

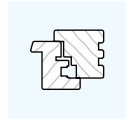
before a moment of assembly. It can work even the gap between the frame rebate and sash rebate is from 10,5 till 14 mm. Thus, if it is necessary there is an opportunity to adjust a lifting plate at +/- 1 mm by height. So, the setting of the lifting plate with a special telescopic jig provides the correct work this wrong operation safety device whole.

6) The junction of the middle lock to the stay arm is quite reliably thanks to a screw, which joins these ones.

7) The adjustment range of the stay arm by a gasket pressing is +/- 1 mm.

8) The junction between the middle lock and the middle lock's extension is rather reliably thanks to a special slider of extension and a screw (it is the same as junction between the corner transmission and espagnolette or stay arm) thus, this special connection excludes the disconnection between these ones or incorrect work of ones.

9) There are four types of middle locks thus, it is quite useful for an optimization of a warehouse and for logistics too.



### ► The protective plating of KOMFORT LINE K-3

The quality of the plating of all hardware's elements affects at the work of accessories, durability and surface appearance very much.

Thus, the special technology of galvanizing allows getting the high-quality plating, which provides all elements of KOMFORT LINE K-3 required level of protect against corrosion.

Nevertheless, a silver color of the hardware's surface appearance fulfills a decorative function to allow it to combine successfully with the others elements of a window.



### The causes to appear the corrosion at hardware's surface.

1. The prolonged exposure of high wetness (more than 70%).
2. The polluted air with gas, comprising a connection of various acids, and an exposure of salt-mist.
3. The mechanical damages of surface during an assembly or maintenance, which disrupt wholeness of the plating.
4. Some cleaning agents include alkali, acid and so on.
5. Under the influence of different temperature there can appear the formation of condensate at the surface of hardware.
6. The pollution with some building materials, in particular by cement or gypsum plaster.

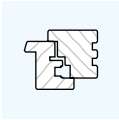
### Some instructions to keep the quality of surface plating

1. Avoid hits of building materials at the hardware surface, for example plaster, cement, different building solutes and building dust.
2. Avoid any exposure of aggressive acidic steam and salt-mists at the hardware surface.
3. Do not use any rubber gasket, which is able to soaks up and to hold some moisture.
4. The cleaning should be made with pH-neutral solute, before diluted.
5. Do not permit any mechanical damages of the hardware's surface by building, assembly and detergent instruments.








### Storage conditions

This applies to storage and transport, as well as for unloading and loading procedures. Where appropriate, plastic protective sheets or similar are to be used during outdoor transport when raining (i.e. on-site transport). Storage may only be carried out in suitable, closed rooms and not outdoors. Condensation is to be absolutely avoided during the entire transport and storage duration.

- 1) Always keep the hardware boxes closed, and always cover up hardware boxes which were opened and do not put boxes directly on the floor.
- 2) Transport the hardware always with suitable devices (if possible on pallets with stretch film).
- 3) The components may not get wet. The packaging must remain dry (it is recommended: Warehouse temperature – 15-25°C; Relative humidity – less then 50%).
- 4) If box becomes wet please immediately unpack the components from the wet bundles, dry the components and check for signs of corrosion. In any case repack the usable components when dry with new packing material.

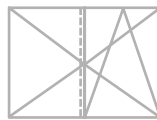


▶ **Basic notations**

	Maximum sash weight, kg		Cylindrical locking pin
	Screws (quantity/size)		Mushroom locking pin
	Packaging quantity (pcs)		Locking plate for double-sash window
	Drill-bit (diameter)		



Tilt and turn sash



Tilt and turn double sash



Turn-only sash



Tilt-only sash

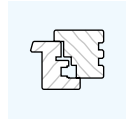
▶ **Representation of the information**

All article numbers in this catalogue were afforded an alphanumeric form. The decipher of all article numbers you can find at the pages 8-9.

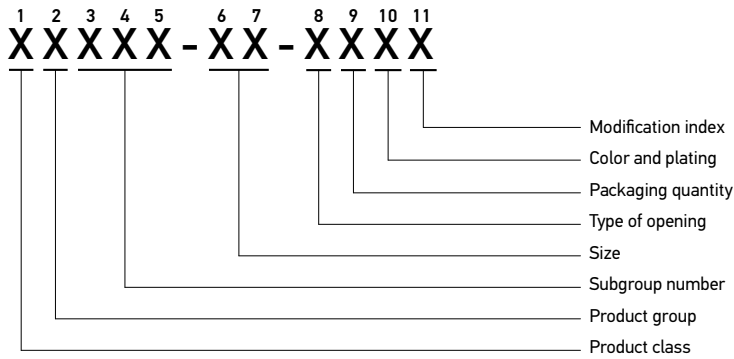
Thus, all sizes which were shown in that catalogue are nominal and contain general tolerances.

All sizes were conferred in mm.

The information about restriction of sashes' sizes should be taken from diagrams of this catalogue or a user's guide.



▶ Article structure



**1. Product class**  
(1 sign)

**X**XXXX-XX-XXXX

- "S" – smart line
- "K" – komfort line
- "A" – element refers to both classes
- "D" – door line

**2. Product group**  
(2 sign)

X**X**XXX-XX-XXXX

- |                            |  |
|----------------------------|--|
| "0" – alternative value    | "6" – standart locking plates, tilt locking plates |
| "1" – gear variable        | "7" – locking plates and the other accessories     |
| "2" – corner transmissions | "8" – alternative value                            |
| "3" – stay arm             | "9" – alternative value                            |
| "4" – extensions           |  |
| "5" – hinges               |  |

**3-5. Subgroup number**  
(3, 4, 5 sign)

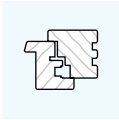
Xx**XXX**-XX-XXXX

Additional information about product's subgroup.  
 Example: group "gears", subgroup "double sash lever espagnolette variable".

**6-7. Size**  
(6, 7 sign)

XXXXX-**XX**-XXXX

Important dimensions of the product such as the length of the axis, etc.



**8. Type of opening  
(8 sign)**

XXXXX-XX-**X**XXX

"N" – universal  
"R" – right  
"L" – left

**9. Packaging quantity  
(9 sign)**

XXXXX-XX-**X**XXX

"O" – standard quantity	"J" – 40 pcs.	"T" – 1000 pcs.
"B" – 1 pcs.	"K" – 50 pcs.	"V" – 1500 pcs.
"C" – 2 pcs.	"L" – 100 pcs.	"W" – 3000 pcs.
"D" – 5 pcs.	"M" – 125 pcs.	"Y" – 5000 pcs.
"E" – 10 pcs.	"N" – 200 pcs.	"Z" – nonstandard quantity
"F" – 20 pcs.	"P" – 250 pcs.	
"G" – 25 pcs.	"R" – 400 pcs.	
"H" – 30 pcs.	"S" – 500 pcs.	

**10. Color and plating  
(10 sign)**

XXXXX-XX-**XX**X

0 – plating	4 – champagne	8 – steel surface
1 – white	5 – gold	9 – special colors
2 – brown	6 – bronze	
3 – silver	7 – black	

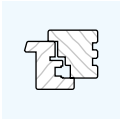
Double encoding can be used for several tones of the same color.

Example: 1 – white color RAL 9016

1B – white color RAL 9010

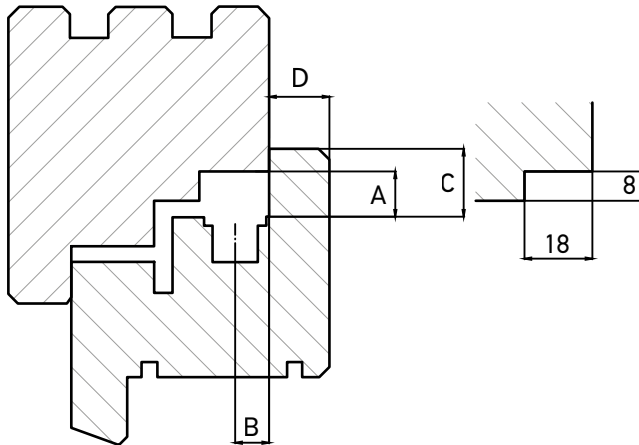
**11. Modification index (A, B, C)  
(11 sign)**



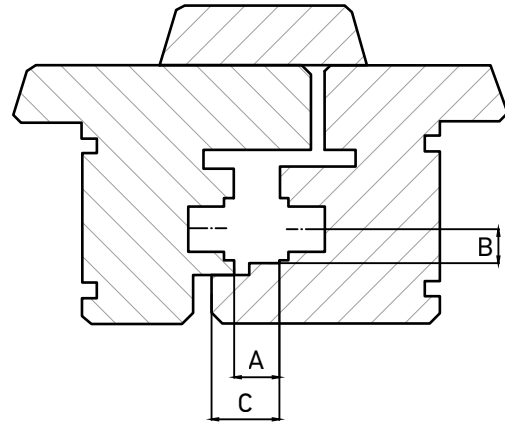


▶ **18/8-12/18-9 profile**

The single sash constructions



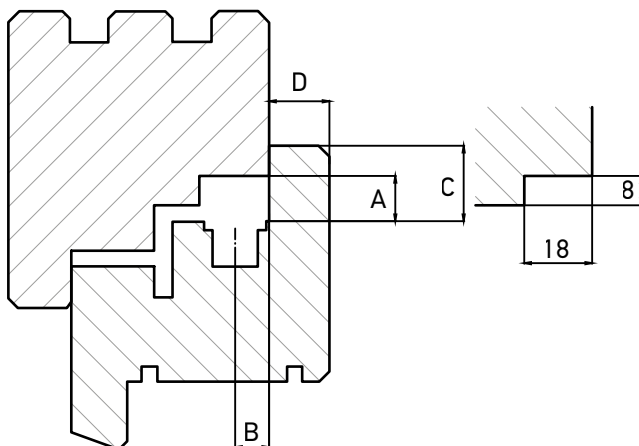
The double sash constructions with opposite hardware groove



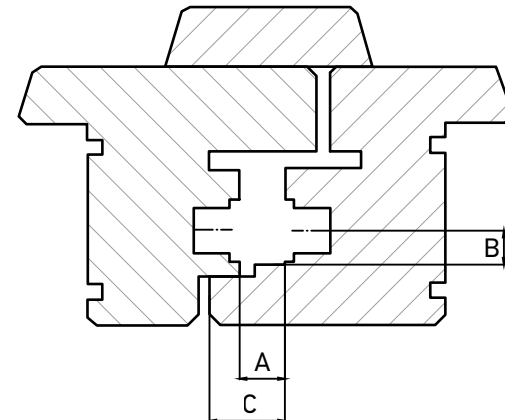
A	Airgap	12,0 <sup>+1</sup> mm.
B	Groove axis	9,0 mm.
C	Rebate width	18,0 mm.
D	Rebate height	16,0 mm.

▶ **18/8-12/20-9 profile**

The single sash constructions

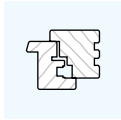


The double sash constructions with opposite hardware groove



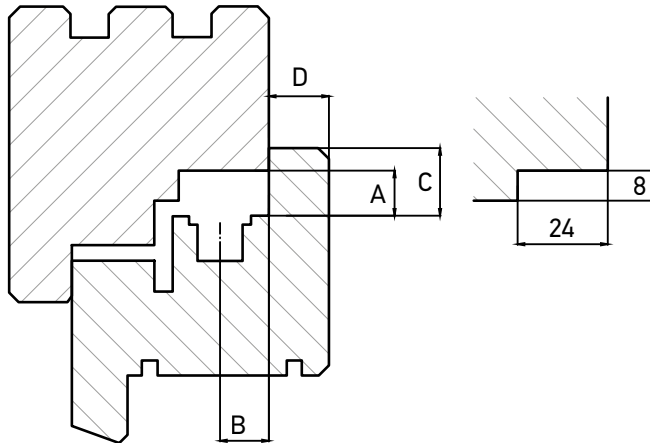
A	Airgap	12,0 <sup>+1</sup> mm.
B	Groove axis	9,0 mm.
C	Rebate width	20,0 mm.
D	Rebate height	16,0 mm.

The information about profile-dependent elements you find at the profile list

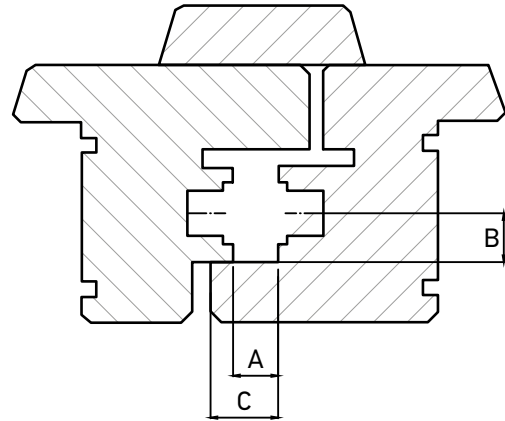


▶ **24/8-12/18-13 profile**

The single sash constructions



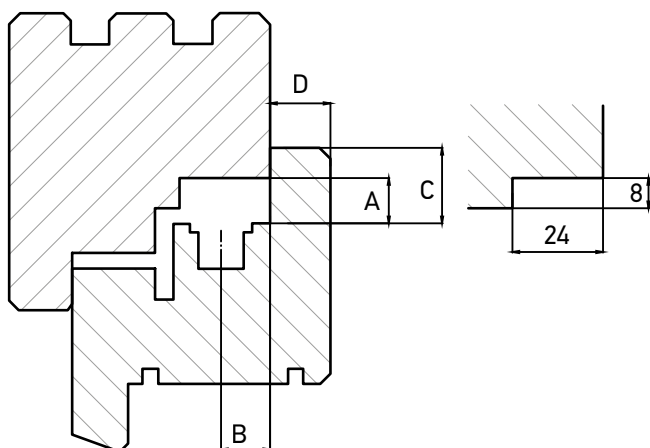
The double sash constructions with opposite hardware groove



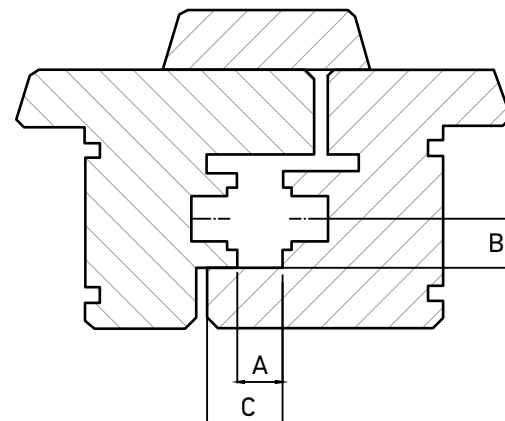
A	Airgap	12,0 <sup>+1</sup> mm.
B	Groove axis	13,0 mm.
C	Rebate width	18,0 mm.
D	Rebate height	16,0 mm.

▶ **24/8-12/20-13 profile**

The single sash constructions

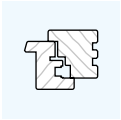


The double sash constructions with opposite hardware groove



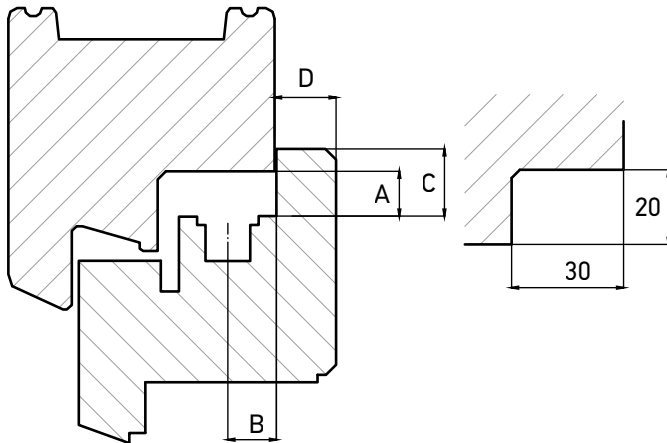
A	Airgap	12,0 <sup>+1</sup> mm.
B	Groove axis	13,0 mm.
C	Rebate width	20,0 mm.
D	Rebate height	16,0 mm.

The information about profile-dependent elements you find at the profile list

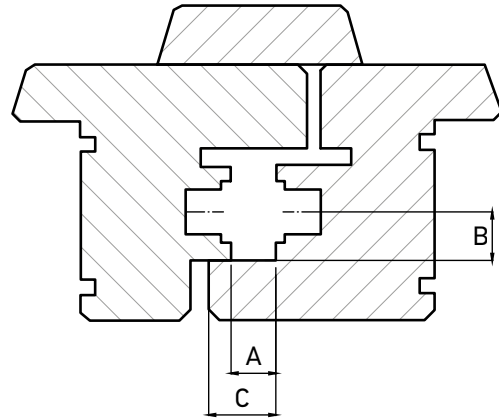


▶ **30/20-12/18-13 profile**

The single sash constructions



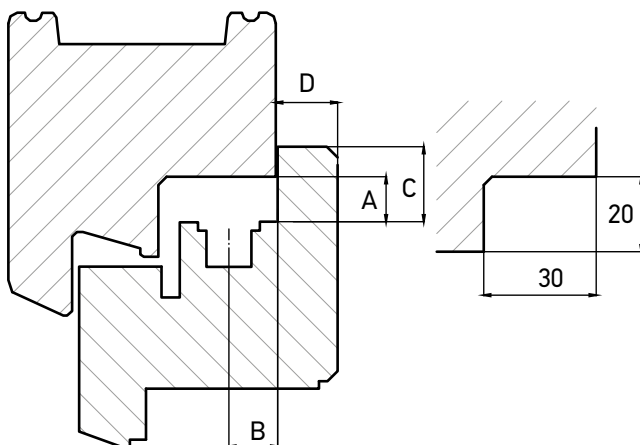
The double sash constructions with opposite hardware groove



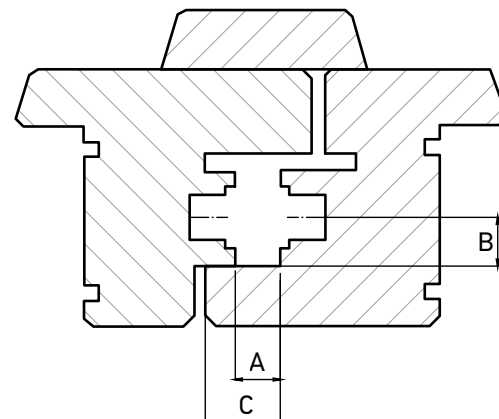
A	Airgap	12,0 <sup>+1</sup> mm.
B	Groove axis	13,0 mm.
C	Rebate width	18,0 mm.
D	Rebate height	16,5 mm.

▶ **30/20-12/20-13 profile**

The single sash constructions

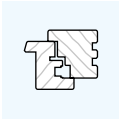


The double sash constructions with opposite hardware groove



A	Airgap	12,0 <sup>+1</sup> mm.
B	Groove axis	13,0 mm.
C	Rebate width	20,0 mm.
D	Rebate height	16,5 mm.

The information about profile-dependent elements you find at the profile list

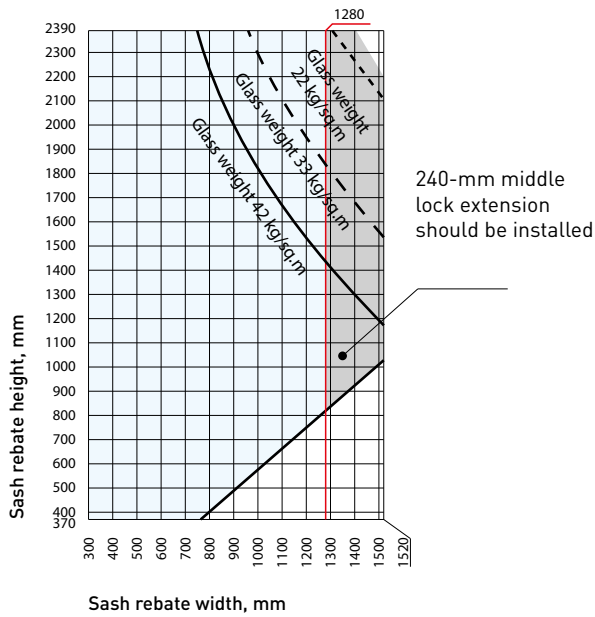


▶ Tilt and turn / Tilt first



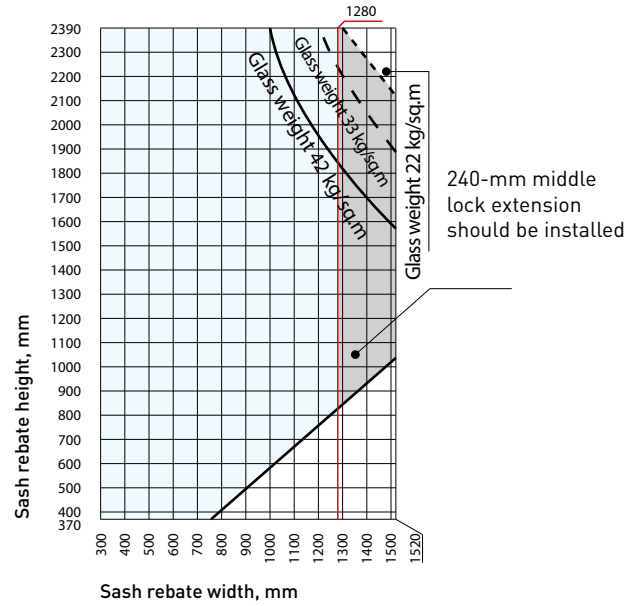
Allowable sash dimensions

Allowable sash weight for this range 100 kg  
1mm/m<sup>2</sup> glass thickness= 2.5kg



Allowable sash dimensions

Allowable sash weight for this range 130 kg  
1mm/m<sup>2</sup> glass thickness= 2.5kg

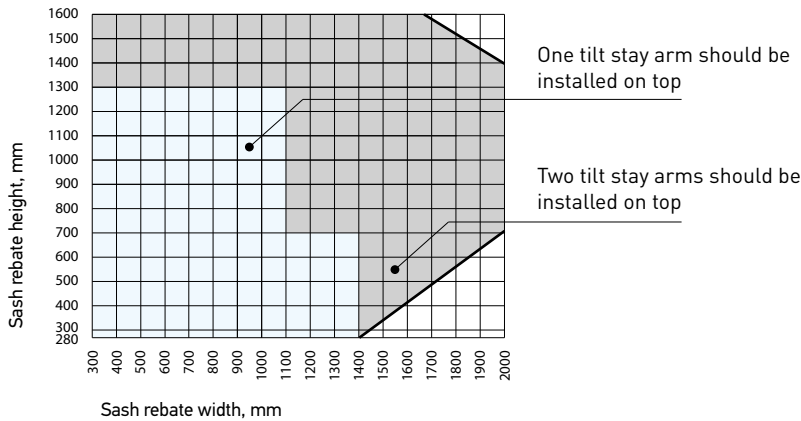


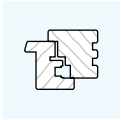
▶ Tilt sash



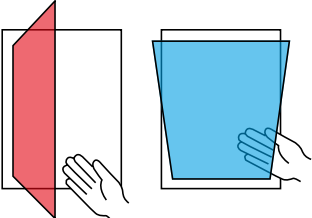
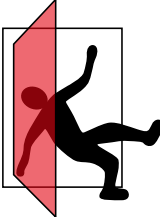
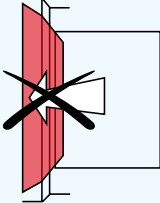
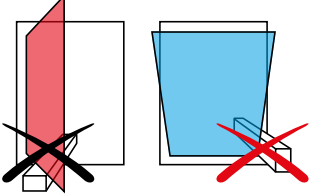
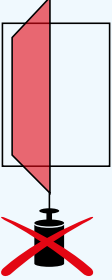
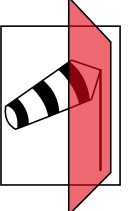
Sash dimensions limits

Maximum sash weight is 50 kg





► Safety conventional symbols

Conventional symbol	Meaning
	<p><b>Danger of injury through trapping of body parts</b></p> <ul style="list-style-type: none"> <li>• Never reach into the opening between the sash and the outer frame when closing windows/doors.</li> </ul>
	<p><b>Risk of injury from falling through open windows</b></p> <ul style="list-style-type: none"> <li>• Always use stable step ladders.</li> <li>• Protect yourself against falling out of windows.</li> <li>• Do not steady yourself or hold on to the opened sash.</li> </ul>
	<p><b>Risk of injury or damage from pressing the sash against the reveal</b></p> <ul style="list-style-type: none"> <li>• Do not press the sash against the window reveal.</li> </ul>
	<p><b>Risk of injury from trapping parts of the body between the sash and the frame</b></p> <ul style="list-style-type: none"> <li>• Do not insert obstructions into the opening between sash and frame.</li> </ul>
	<p><b>Risk of injury and material damage from overloading the sash</b></p> <ul style="list-style-type: none"> <li>• Do not overload the sash.</li> </ul>
	<p><b>Risk of injury from the effect of wind</b></p> <ul style="list-style-type: none"> <li>• Prevent wind from acting on the open sash.</li> <li>• During wind/drafts, close and lock windows.</li> </ul>



**AXOR**<sup>TM</sup>

# KOMFORT LINE K-3

Hinges

**AXOR**

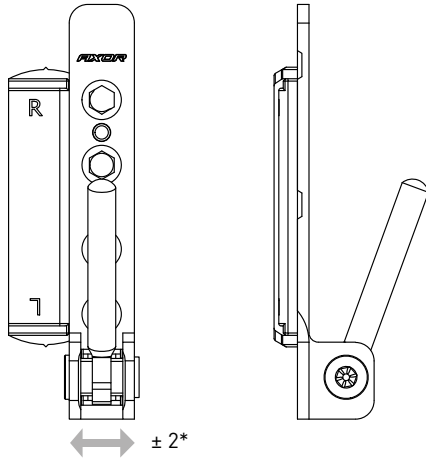


## Section 1 Hinges

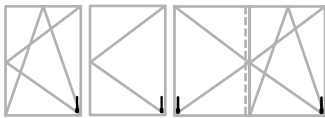
## Corner bearing

**AXOR**™

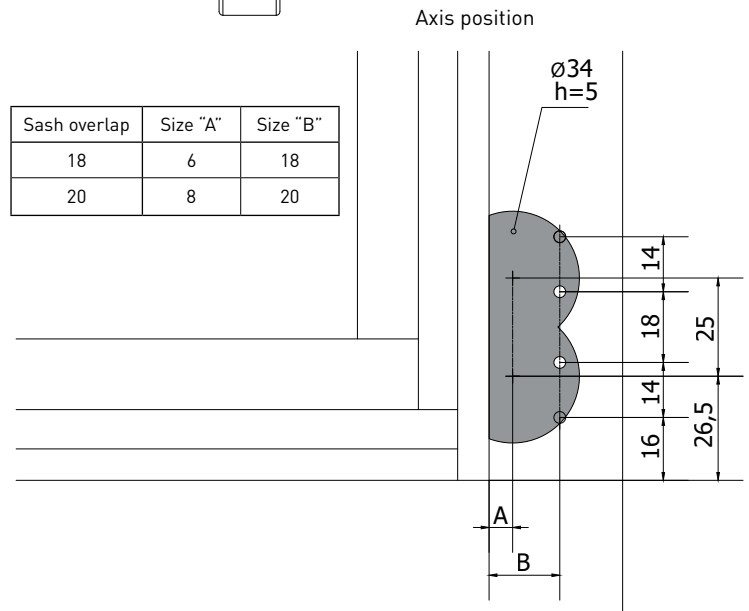
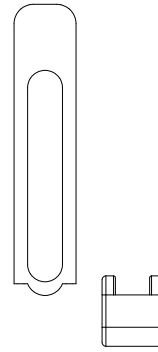
### ▶ Corner bearing, 100 kg



- maximum tilting of pin inclination - 180 deg.;
- for decorative covers in other colors look at p. 19.
- \* horizontal adjustment, mm



### ▶ Covers of corner bearing



Description	A	C	B	kg			Part No.
Corner bearing for timber, 100 kg, 18 mm, Right	12	18	—	100	4 / 3,9x40*	250	A5013-18-R03
Corner bearing for timber, 100 kg, 18 mm, Left	12	18	—	100	4 / 3,9x40*	250	A5013-18-L03
Corner bearing for timber, 100 kg, 20 mm, Right	12	20	—	100	4 / 3,9x40*	250	A5013-20-R03
Corner bearing for timber, 100 kg, 20 mm, Left	12	20	—	100	4 / 3,9x40*	250	A5013-20-L03
Description	A	C	B	kg			Part No.
Drilling jig for frame hinges	12	18	—	—	Ø34	50	A7096-00-N09
Drilling jig for frame hinges	12	20	—	—	Ø34	50	A7096-10-N09
Description	A	C	B	kg			Part No.
Bottom cover of corner bearing	—	—	—	—	—	500	A7007-10-N**
Top cover of corner bearing	—	—	—	—	—	500	A7008-10-N**

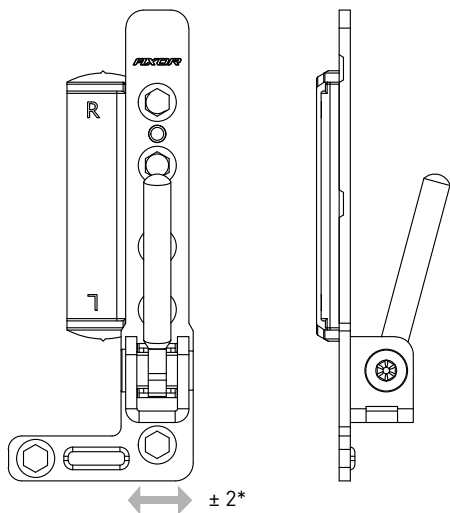
A - sash rebate gap / C - sash overlap / B - sash groove position

\* quantity/size

\*\* for decorative covers in other colors look at p. 19.

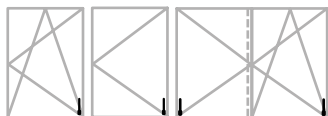


### ▶ Corner bearing, 130 kg

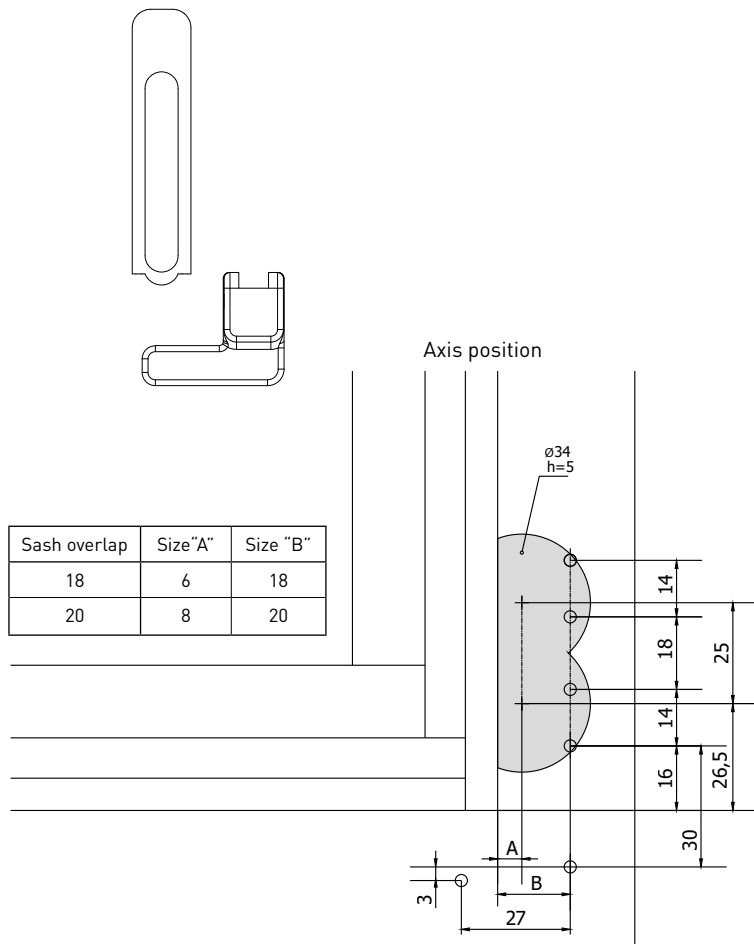


- maximum tilting of pin inclination - 180 deg.;
- for decorative covers in other colors look at p. 19.

\* horizontal adjustment, mm



### ▶ Covers of corner bearing



Description	A	C	B	kg			Part No.
Corner bearing for timber, 130 kg, 18 mm, right	12	18	—	130	6 / 3,9x40*	250	A5021-18-R03
Corner bearing for timber, 130 kg, 18 mm, left	12	18	—	130	6 / 3,9x40*	250	A5021-18-L03
Corner bearing for timber, 130 kg, 20 mm, right	12	20	—	130	6 / 3,9x40*	250	A5021-20-R03
Corner bearing for timber, 130 kg, 20 mm, left	12	20	—	130	6 / 3,9x40*	250	A5021-20-L03
Description	A	C	B	kg			Part No.
Drilling jig for frame hinges	12	18	—	—	$\varnothing 34$	50	A7002-00-N09
Drilling jig for frame hinges	12	20	—	—	$\varnothing 34$	50	A7002-20-N09
Description	A	C	B	kg			Part No.
Bottom cover of corner bearing 130 kg, right	—	—	—	—	—	500	A7102-00-R**
Bottom cover of corner bearing 130 kg, left	—	—	—	—	—	500	A7102-00-L**
Top cover of corner bearing	—	—	—	—	—	500	A7008-10-N**

A - sash rebate gap / C - sash overlap / B - sash groove position  
\* quantity/size

\*\* for decorative covers in other colors look at p. 19.



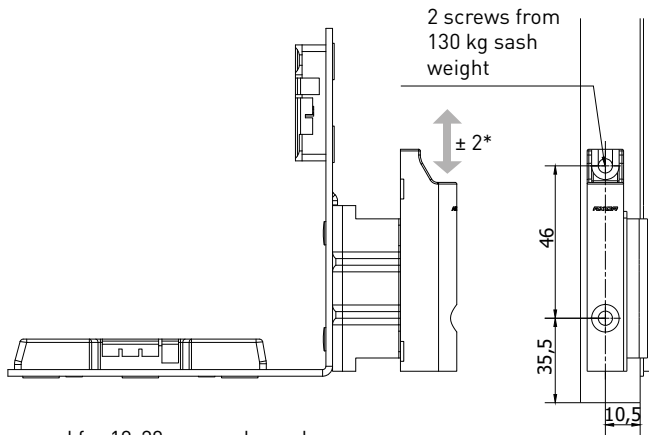


## Section 1 Hinges

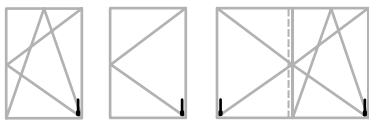
### Rebate corner hinge

**AXOR**™

#### ▶ Rebate corner hinge



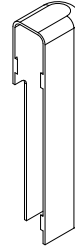
- used for 18-20 mm sash overlap;
- for decorative covers in other colors look at p. 19.



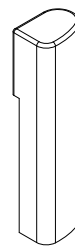
\* vertical adjustment, mm

\*\* clamp adjustment, mm; the amount of pressure is adjusted during the installation of the hinge.

#### ▶ Cover of rebate corner hinge



#### ▶ Cover of rebate corner hinge



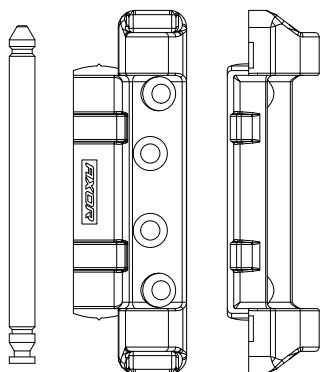
Description	Direction	A	C	B	kg			Part No.
Rebate corner hinge, timber, 20/9, left	L	12	20	9	130	8	250	A5011-09-L03
Rebate corner hinge, timber, 20/9, right	R	12	20	9	130	8	250	A5011-09-R03
Rebate corner hinge, timber, 20/13, left	L	12	20	13	130	8	250	A5011-13-L03
Rebate corner hinge, timber, 20/13, right	R	12	20	13	130	8	250	A5011-13-R03
Rebate corner hinge, timber, 18/9, left	L	12	18	9	130	8	250	A5012-09-L03
Rebate corner hinge, timber, 18/9, right	R	12	18	9	130	8	250	A5012-09-R03
Rebate corner hinge, timber, 18/13, left	L	12	18	13	130	8	250	A5012-13-L03
Rebate corner hinge, timber, 18/13, right	R	12	18	13	130	8	250	A5012-13-R03
Cover of rebate corner hinge left	L	—	—	—	—	—	500	A7009-00-L*
Cover of rebate corner hinge right	R	—	—	—	—	—	500	A7009-00-R*
Cover of rebate corner hinge left	L	—	—	—	—	—	500	A7085-00-L*
Cover of rebate corner hinge right	R	—	—	—	—	—	500	A7085-00-R*

A - sash rebate gap / C - sash overlap / B - sash groove position

\* for decorative covers in other colors look at p. 19.

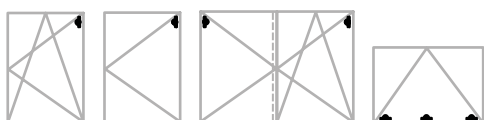


### ▶ Stay arm bearing for timber



- used for 18-20 mm sash overlap;
- for decorative covers in other colors look at p. 19;
- the pin is supplied with hinge.

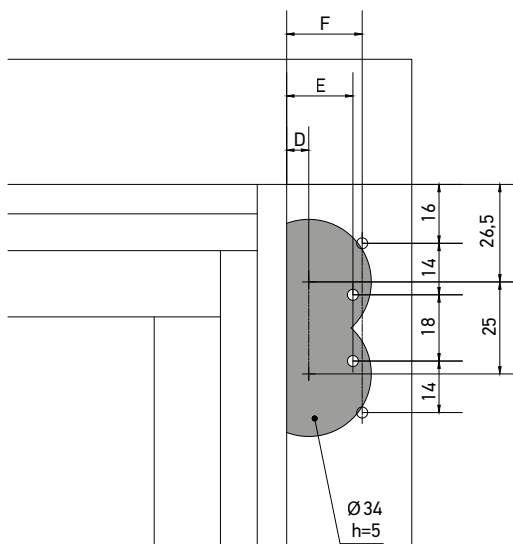
Sash overlap	Size "D"	Size "E"	Size "F"
18	6	18	20,5
20	8	20	22,5



### ▶ Cover of stay arm bearing for timber

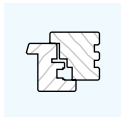


- for decorative covers in other colors look at p. 19;



Description	A	C	B	kg			Part No.
Stay arm bearing for timber, 18 mm	12	18	—	130	4 / 3,9x40	250	A5014-18-N03
Stay arm bearing for timber, 20 mm	12	20	—	130	4 / 3,9x40	250	A5014-20-N03
Description	A	C	B	kg			Part No.
Drilling jig for frame hinges	12	18	—	—	Ø34	50	A7096-00-N09
Drilling jig for frame hinges	12	20	—	—	Ø34	50	A7096-10-N09
Description	A	C	B	kg			Part No.
Cover of stay arm bearing for timber	—	—	—	—	—	500	A7010-00-N*

A - sash rebate gap / C - sash overlap / B - sash groove position  
\* for decorative covers in other colors look at p. 19.



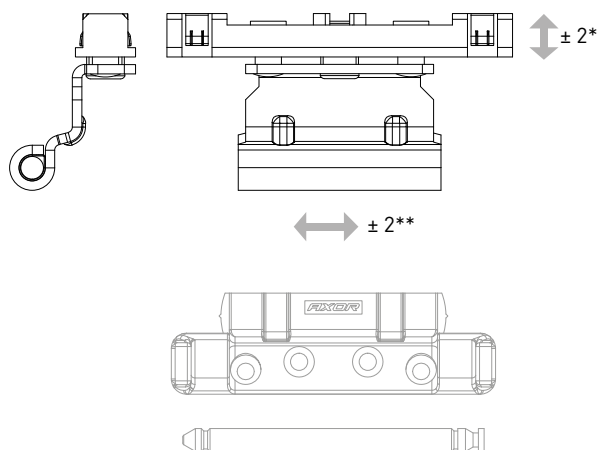
## Section 1 Hinges

### Tilt hinge

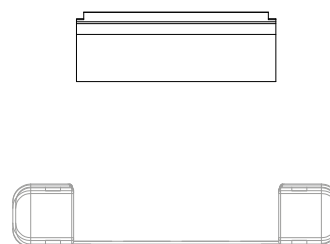
**AXOR**™



#### ▶ Tilt window hinge



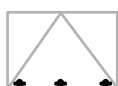
#### ▶ Cover of the top sash hinge



\* vertical adjustment, mm;

\*\* horizontal adjustment, mm;

NOTATION: only for tilt sash



Description	A	C	B	kg			Part No.
Tilt window hinge 9/18 mm	12	18	9	130	—	150	A7089-09-N03
Tilt window hinge 13/18 mm	12	18	13	130	—	150	A7089-13-N03
Tilt window hinge 9/20 mm	12	20	9	130	—	150	A7090-09-N03
Tilt window hinge 13/20 mm	12	20	13	130	—	150	A7090-13-N03
Description	A	C	B	kg			Part No.
Cover of the top sash hinge	—	—	—	—	—	500	A7004-10-N**

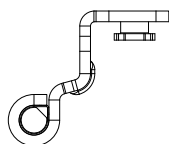
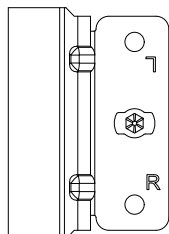
A - sash rebate gap / C - sash overlap / B - sash groove position

\* for 2-hinges set

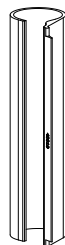
\*\* for decorative covers in other colors look at p. 19.



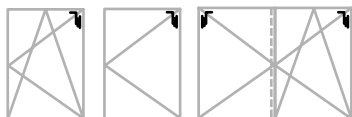
▶ Top sash hinge



▶ Cover of the top sash



- used for 18-20 mm sash overlap
- for decorative covers in other colors look at p.19;
- installation with 4-mm hexagonal key.



Description	A	C	B	kg		Part No.
Top sash hinge 18/13 mm	12	18	13	130	150	K5008-13-N03
Top sash hinge 20/13 mm	12	20	13	130	150	K5009-13-N03
Description	A	C	B	kg		Part No.
Cover of the top sash hinge	—	—	—	—	500	A7004-10-N*

A - sash rebate gap / C - sash overlap / B - sash groove position  
\* for decorative covers in other colors look at p. 19.



## Section 1 Hinges

## Covers

**AXOR**™

Description	Sketch	Color		Part No.
Cover of top sash hinge		White RAL 9016	500	A7004-10-N01
		Brown RAL 8022	500	A7004-10-N02
		Silver F1	500	A7004-10-N03
		Cream RAL 9001	500	A7004-10-N04
		Gold F3	500	A7004-10-N05
		Bronze F4	500	A7004-10-N06
		Black RAL 9005	500	A7004-10-N07
Cover of stay arm bearing for timber		White RAL 9016	500	A7010-00-N01
		Brown RAL 8022	500	A7010-00-N02
		Silver	500	A7010-00-N03
		Gold	500	A7010-00-N05
		Bronze	500	A7010-00-N06
Cover of rebate corner hinge		White RAL 9016	500	A7009-10-L01/R01
		Brown RAL 8022	500	A7009-10-L02/R02
		Silver F1	500	A7009-10-L03/R03
		Cream RAL 9001	500	A7009-10-L04/R04
		Gold F3	500	A7009-10-L05/R05
		Bronze F4	500	A7009-10-L06/R06
		Black RAL 9005	500	A7009-10-L07/R07
Cover of rebate corner hinge (full)		White RAL 9016	500	A7085-00-L01/R01
		Brown RAL 8022	500	A7085-00-L02/R02
		Silver F1	500	A7085-00-L03/R03
		Cream RAL 9001	500	A7085-00-L04/R04
		Gold F3	500	A7085-00-L05/R05
		Bronze F4	500	A7085-00-L06/R06
		Black RAL 9005	500	A7085-00-L07/R07
Top cover of corner bearing		White RAL 9016	500	A7008-10-N01
		Brown RAL 8022	500	A7008-10-N02
		Silver F1	500	A7008-10-N03
		Cream RAL 9001	500	A7008-10-N04
		Gold F3	500	A7008-10-N05
		Bronze F4	500	A7008-10-N06
		Black RAL 9005	500	A7008-10-N07
Bottom cover of corner bearing, 80 kg		White RAL 9016	500	A7007-10-N01
		Brown RAL 8022	500	A7007-10-N02
		Silver F1	500	A7007-10-N03
		Cream RAL 9001	500	A7007-10-N04
		Gold F3	500	A7007-10-N05
		Bronze F4	500	A7007-10-N06
		Black RAL 9005	500	A7007-10-N07
Bottom cover of corner bearing, 130 kg		White RAL 9016	500	A7102-00-R01/L01
		Brown RAL 8022	500	A7102-00-R02/L02
		Silver	500	A7102-00-R03/L03
		Gold	500	A7102-00-R05/L05
		Bronze	500	A7102-00-R06/L06

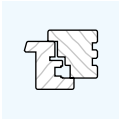


**AXOR**<sup>TM</sup>

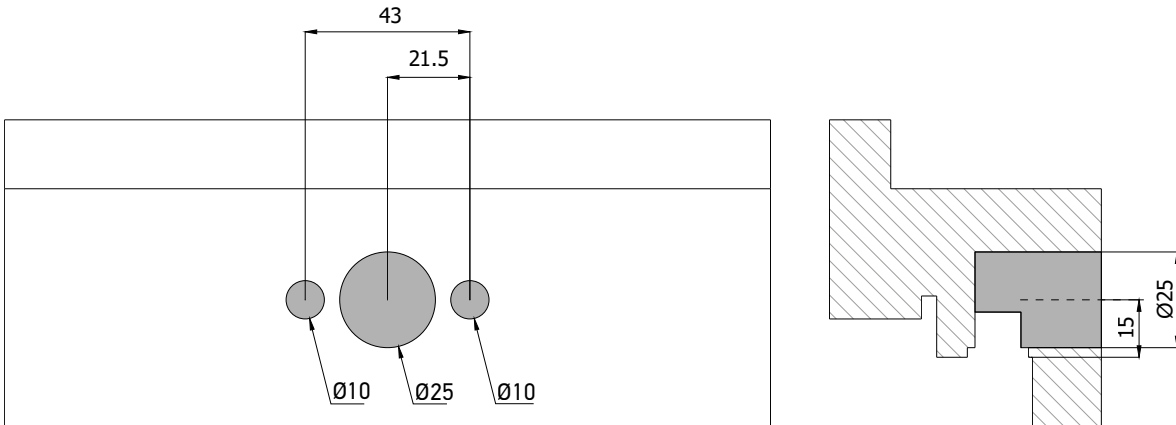
# KOMFORT LINE K-3

Gears

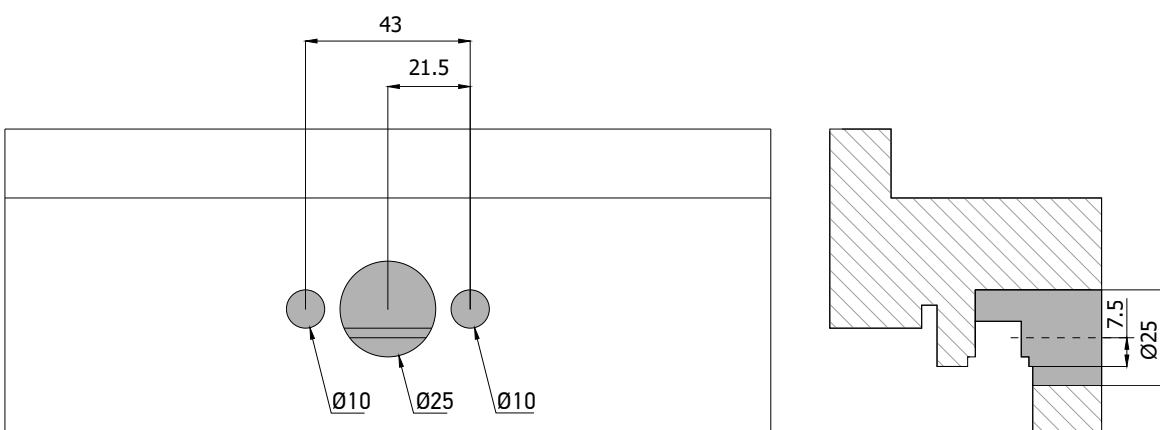
**AXOR**



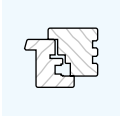
▶ Drilling and milling a sash for 15-mm backset gear



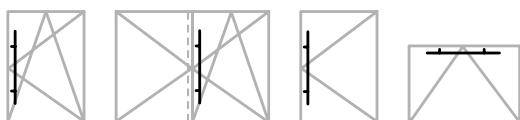
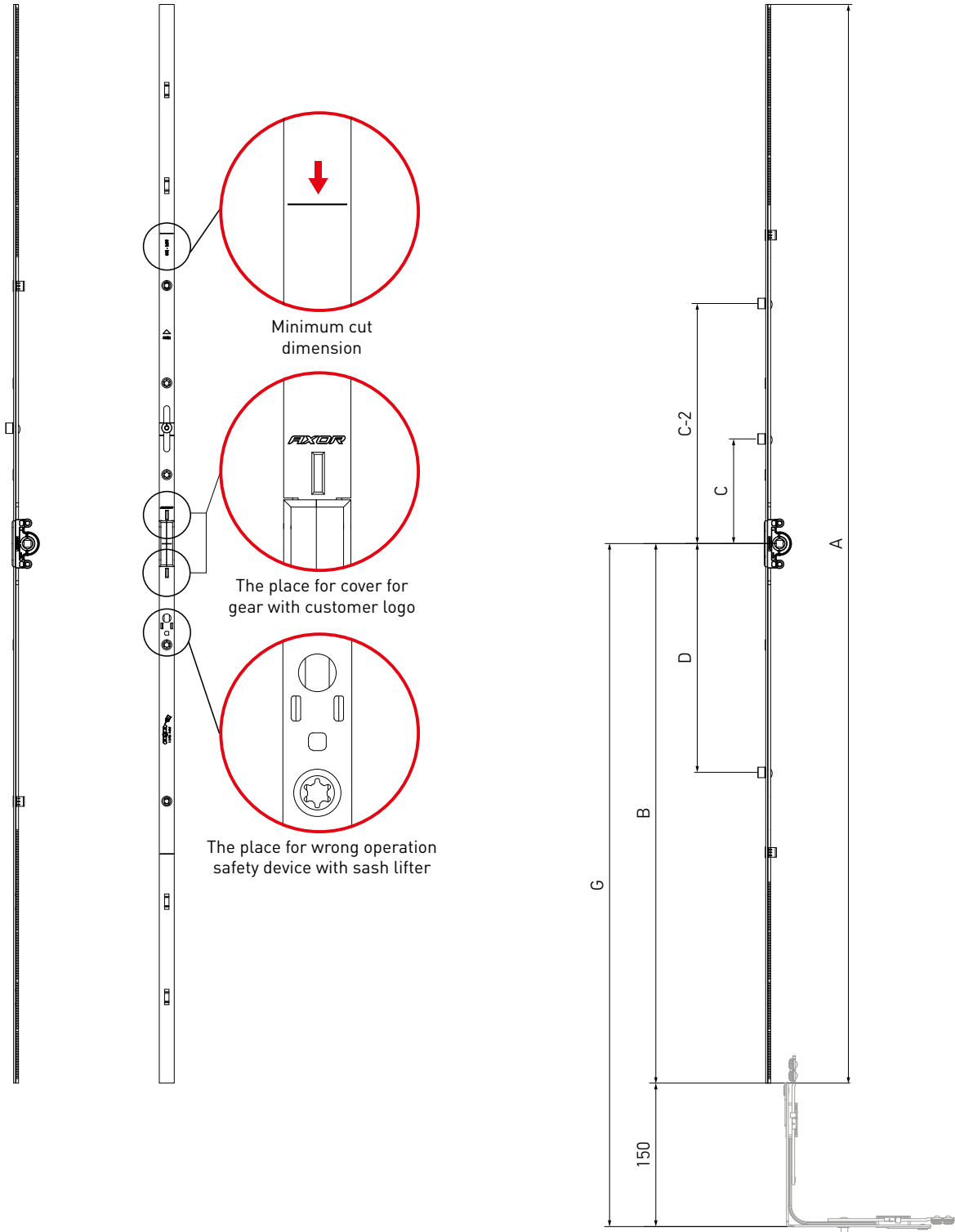
▶ Drilling and milling a sash for 7.5-mm backset gear



Recommended by window hardware's producer



▶ Tilt and turn variable for 15-mm backset gear







## Section 2 Gears

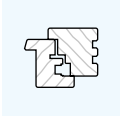
## Tilt and turn variable gear



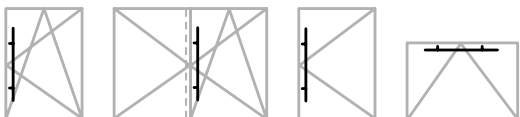
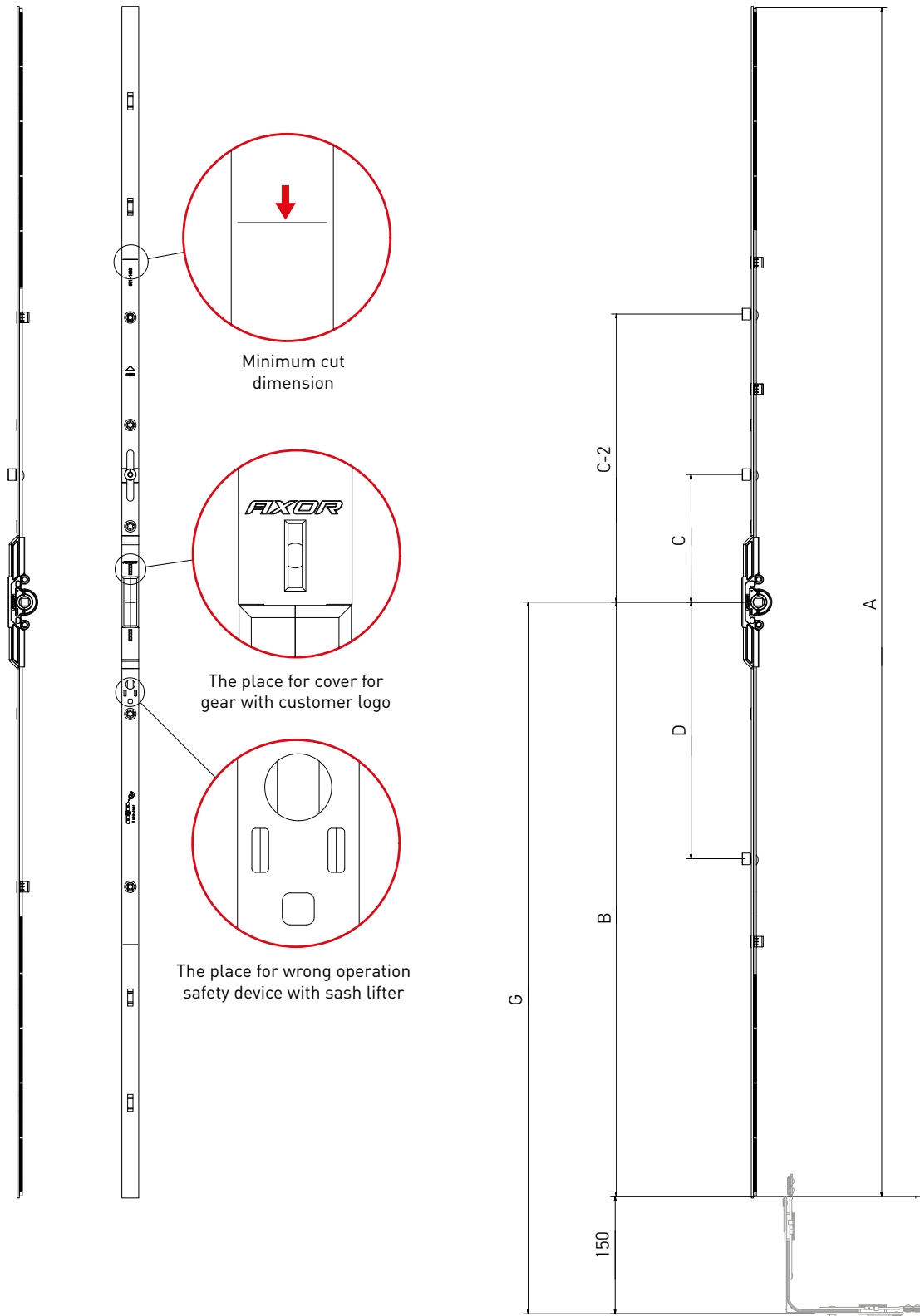
Description	SRH (mm)	Dimensions									Part No.
		G	A	B	C	C-2	D				
Gear variable 0*, L= 250, 450-550	450-550	225-275	250	125	—	—	—	—	—	20	K1001-02-N03
Gear variable 1, L= 450, 551-750	551-750	275-375	450	225	—	—	—	—	2	20	K1001-04-N03
Gear variable 2, L= 930, 751-1230, 1 ML	751-1230	375-615	930	465	120	—	—	1	4	20	K1001-09-N03
Gear variable 3, L= 1130, 950-1430, 1 ML	950-1430	475-715	1130	565	120	—	—	1	5	20	K1001-11-N03
Gear variable 4, L= 1410, 1231-1710, 2 ML	1231-1710	615-855	1410	705	120	—	290	2	6	20	K1001-14-N03
Gear variable 5, L= 1610, 1431-1910, 2 ML	1431-1910	715-955	1610	805	265	—	390	2	7	10	K1001-16-N03
Gear variable 6, L= 2090, 1911-2390, 3 ML	1911-2390	955-1195	2090	1045	120	595	490	3	11	10	K1001-21-N03

\* There is not a place for the micro lift

- Handle position is central;
- Backset 15 mm.



▶ Tilt and turn variable for 7.5-mm backset gear





## Section 2 Gears

## Tilt and turn variable gear

**AXOR**™

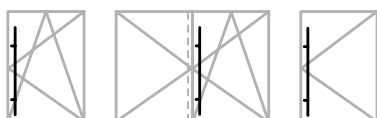
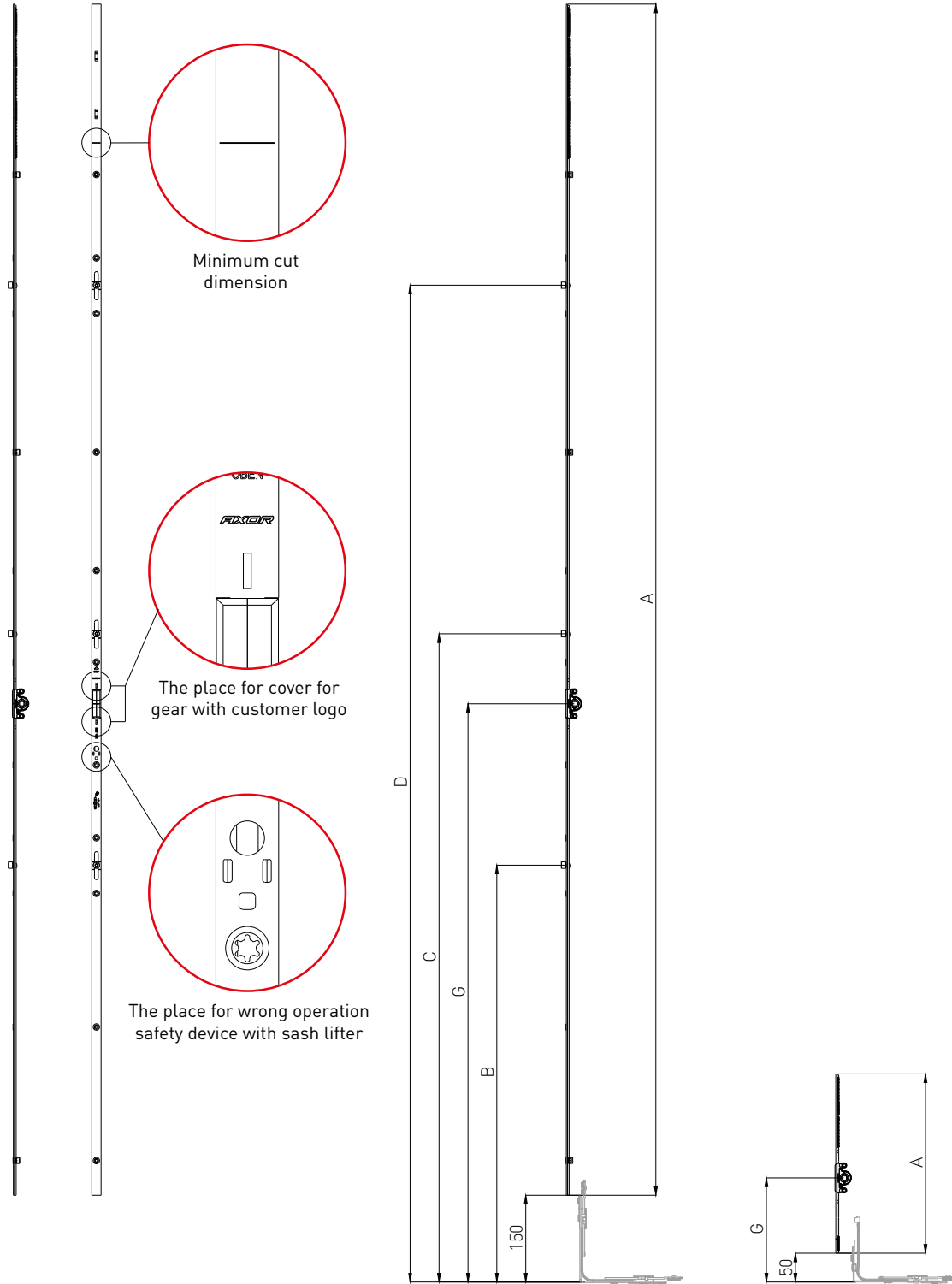
Description	SRH (mm)	Dimensions									Part No.
		G	A	B	C	C-2	D				
Gear variable L= 450, 551-750, backset 7,5 mm*	551-750	275-375	450	225	—	—	—	—	2	20	K1011-04-N03
Gear variable L= 930, 751-1230, 1 ML, backset 7,5 mm	751-1230	375-615	930	465	120	—	—	1	4	20	K1011-09-N03
Gear variable L= 1130, 950-1430, 1 ML, backset 7,5 mm	950-1430	475-715	1130	565	120	—	—	1	5	20	K1011-11-N03
Gear variable L= 1410, 1231-1710, 2 ML, backset 7,5 mm	1231-1710	615-855	1410	705	120	—	290	2	6	20	K1011-14-N03
Gear variable L= 1610, 1431-1910, 2 ML, backset 7,5 mm	1431-1910	715-955	1610	805	265	—	390	2	7	10	K1011-16-N03
Gear variable L= 2090, 1911-2390, 3 ML, backset 7,5 mm	1911-2390	955-1195	2090	1045	120	595	490	3	11	10	K1011-21-N03

\* There is not a place for the micro lift

- Handle position is variable/central;
- Backset 7.5 mm.



▶ **Tilt and turn constant gear**





## Section 2 Gears

## Tilt and turn constant gear

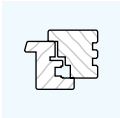
**AXOR**™

Description	SRH (mm)	Dimensions								Part No.
		G	A	B	C	D				
Constant gear 0**, L=300, 400-500	400-500	175	300	-	-	-	0	0	20	K1009-03-N03
Constant gear 1**, L=480, 480-680*	480-680	200	480	-	-	-	0	2	20	K1009-05-N03
Constant gear 2, L=620, 681-920*	681-920	300	620	-	431	-	1	3	20	K1009-07-N03
Constant gear 3, L=860, 921-1160	921-1160	450	860	-	571	-	1	4	20	K1009-09-N03
Constant gear 4, L=1100, 1161-1400	1161-1400	600	1100	-	721	-	1	6	20	K1009-11-N03
Constant gear 5, L=1340, 1401-1640	1401-1640	600	1340	-	721	1039	2	7	20	K1009-13-N03
Constant gear 6, L=1580, 1641-1880	1641-1880	600	1580	-	721	1244	2	8	10	K1009-16-N03
Constant gear 7, L=1580, 1641-1880	1641-1880	1000	1580	721	1264	-	2	8	10	K1009-17-N03
Constant gear 8, L=1820, 1881-2120	1881-2120	1000	1820	721	1388	-	2	9	10	K1009-18-N03
Constant gear 9, L=2060, 2121-2360	2121-2360	1000	2060	721	1121	1724	3	11	10	K1009-21-N03

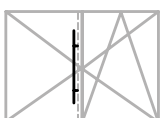
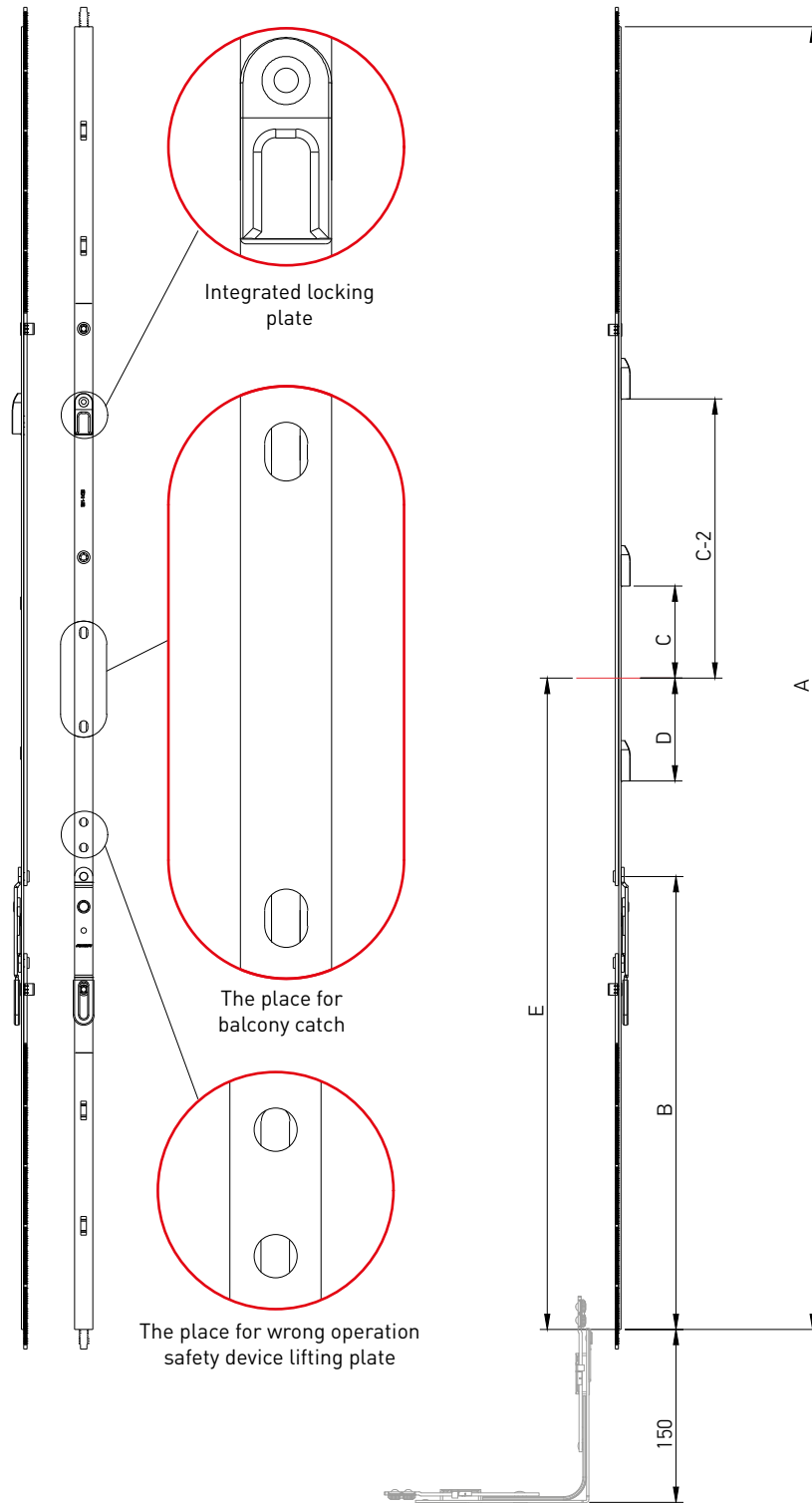
\* There is not a place for the micro lift

\*\* Connects to narrow corner transmission 50x150;

- Backset 15 mm.



▶ **Double sash lever espagnolette variable**





## Section 2 Gears

### Double-sash gear with integrated locking plates

**AXOR**™

Description	SRH (mm)	Dimensions									Part No.
		A	B	C	D	C-2	E				
Double sash lever espagnolette variable L= 450, 551-750*	551-750	450	265	—	—	—	225	0	2	20	K1002-04-N03
Double sash lever espagnolette variable L= 650, 751-950	751-950	650	393	129,5	—	—	325	1	2	20	K1002-06-N03
Double sash lever espagnolette variable L= 1130, 951-1430	951-1430	1130	393	129,5	—	—	565	1	3	20	K1002-11-N03
Double sash lever espagnolette variable L= 1610, 1431-1910**	1431-1910	1610	393	274,5	380,5	—	805	2	4	10	K1002-16-N03
Double sash lever espagnolette variable L= 2090, 1911-2390**	1911-2390	2090	393	129,5	480,5	604,5	1045	3	6	10	K1002-21-N03

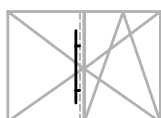
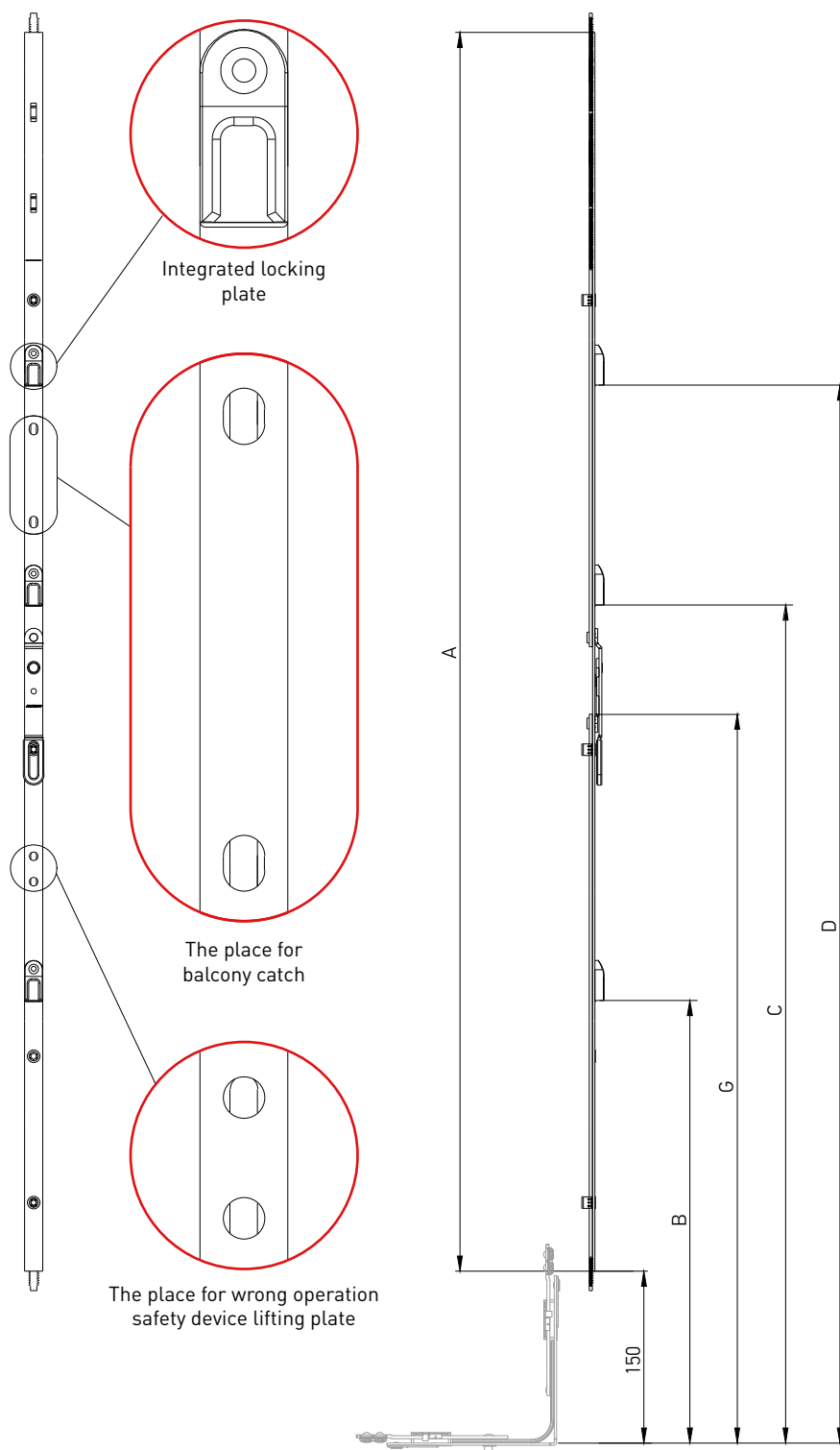
- for double-sash profile with opposite hardware groove;
- gear with opposite motion;
- locking plates were installed.

\*There is not a place for the micro lift

\*\*There is a place for balcony catch available



### ▶ Double sash espangolette constant







## Section 2 Gears

## Double sash espangolette constant

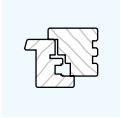


Description	SRH (mm)	Dimensions								Part No.
		G	A	B	C	D				
Double sash espangolette constant G=300, L= 620 mm*	681-920	300	620	-	439,5	-	1	4	20	K1018-06-N03
Double sash espangolette constant G=450, L= 860 mm	921-1160	450	860	-	579,5	-	1	7	20	K1018-09-N03
Double sash espangolette constant G=600, L= 1100 mm	1161-1400	600	1100	-	729,5	-	1	8	20	K1018-11-N03
Double sash espangolette constant G=600, L= 1340 mm	1401-1640	600	1340	-	729,5	1047,5	2	10	20	K1018-14-N03
Double sash espangolette constant G=600, L= 1580 mm	1641-1880	600	1580	-	729,5	1252,5	2	10	10	K1018-15-N03
Double sash espangolette constant G=1000, L=1580 mm**	1641-1880	1000	1580	729,5	1272,5	-	2	10	10	K1018-16-N03
Double sash espangolette constant G=1000, L= 1820 mm**	1881-2120	1000	1820	729,5	1396,5	-	2	11	10	K1018-18-N03
Double sash espangolette constant G=1000, L= 2060 mm**	2121-2360	1000	2060	729,5	1129,5	1732,5	3	13	10	K1018-20-N03

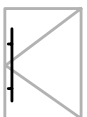
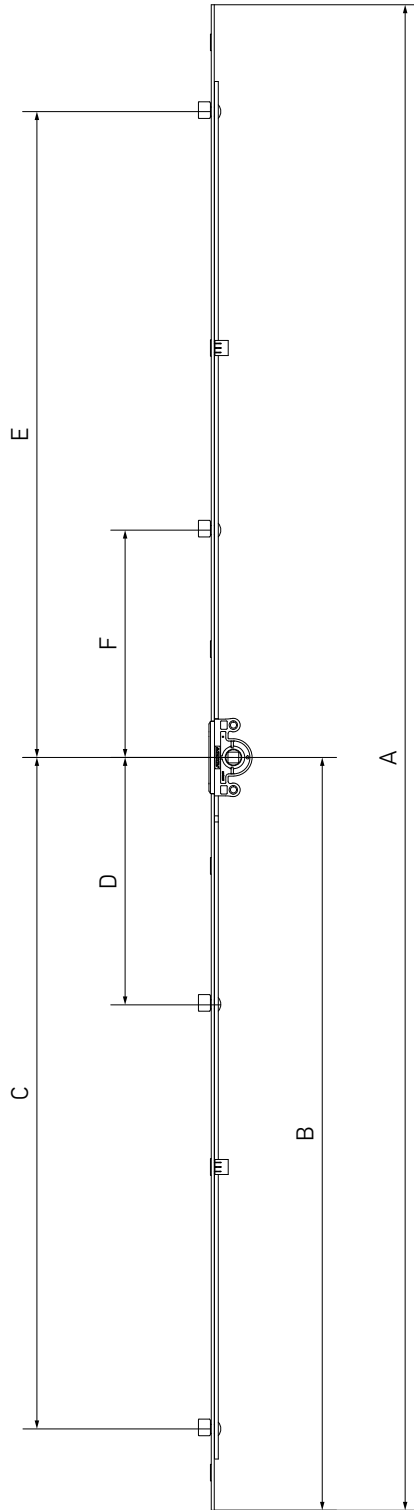
- for double-sash profile with opposite hardware groove;
- gear with opposite motion;
- locking plates were installed.

\*There is not a place for the micro lift

\*\*There is a place for balcony catch available



▶ Turn gear variable





## Section 2 Gears

### Turn gear variable



Description	SRH (mm)	Dimensions									Part No.
		A	B	C	D	E	F				
Turn gear variable 1 L= 300, 300 - 500, 2ML	300-500	300	150	96	—	79	—	2	2	20	K1003-03-N03 A
Turn gear variable 2 L= 400, 401 - 600, 2ML	401-600	400	200	146	—	129	—	2	2	20	K1003-04-N03 A
Turn gear variable 3 L= 600, 601 - 800, 2ML	601-800	600	300	246	—	229	—	2	4	20	K1003-06-N03 A
Turn gear variable 4 L= 800, 801 - 1000, 2 ML	801-1000	800	400	346	—	329	—	2	4	20	K1003-08-N03 A
Turn gear variable 5 L= 1000, 1001 - 1200, 3 ML	1001-1200	1000	500	446	—	429	101	3	8	20	K1003-10-N03 A
Turn gear variable 6 L= 1200, 1201 - 1400, 3ML	1201-1400	1200	600	546	—	530	101	3	8	20	K1003-12-N03 A
Turn gear variable 7 L= 1400, 1401 - 1600, 3ML	1401-1600	1400	700	646	—	629	101	3	8	20	K1003-14-N03 A
Turn gear variable 8 L= 1600, 1601 - 1800, 4ML	1601-1800	1600	800	746	318	729	301	4	8	10	K1003-16-N03 A
Turn gear variable 9 L= 1800, 1801 - 2000, 4ML	1801-2000	1800	900	846	318	829	301	4	10	10	K1003-18-N03 A
Turn gear variable 10 L= 2000, 2001 - 2200, 4ML	2001-2200	2000	1000	946	318	929	301	4	10	10	K1003-20-N03 A
Turn gear variable 11 L= 2200, 2201 - 2400, 4ML	2201-2400	2200	1100	1046	318	1029	301	4	11	10	K1003-22-N03 A



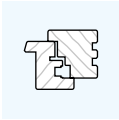
**AXOR**<sup>TM</sup>

# KOMFORT LINE K-3

Corner transmissions

Middle locks

**AXOR**



### Section 3

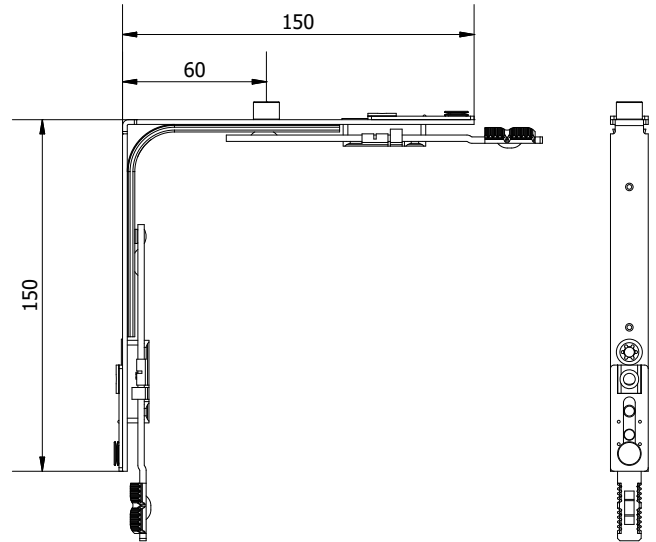
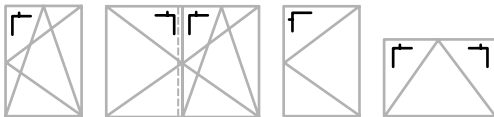
Corner transmissions  
Middle locks

## Corner transmission

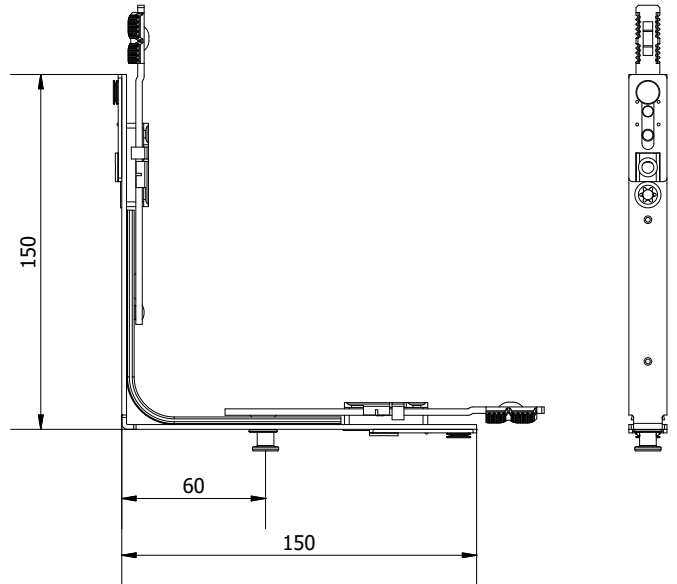
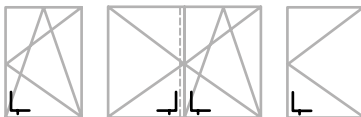


### ▶ Corner transmission 150x150

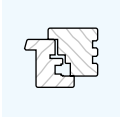
- not intended for WK security level.



### ▶ Corner transmission 1 ML, Se 150x150

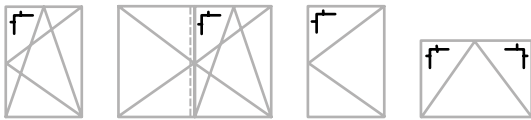
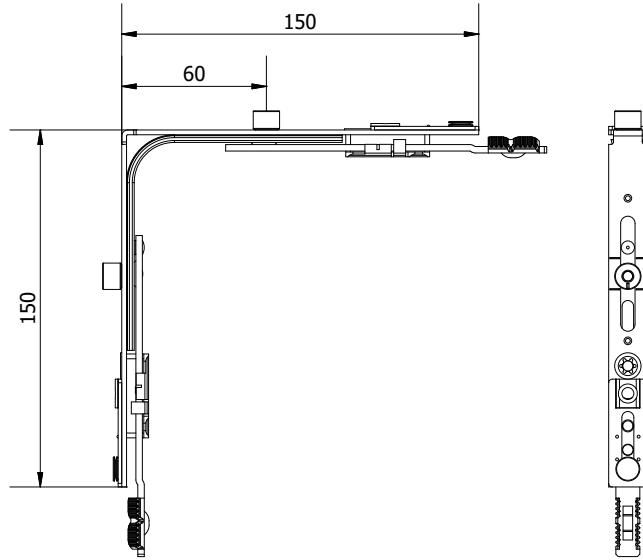


Description	Application range						Part No.
	SRW (mm)	SRH (mm)					
Corner transmission 150x150	400-1520	450-2390	1	—	4	50	K2001-00-N03
Corner transmission 1 ML, Se 150x150	400-1520	450-2390	—	1	4	50	K2005-00-N03
Corner transmission 150x150, without locking pin	400-1520	450-2390	—	—	4	50	K2016-00-N03

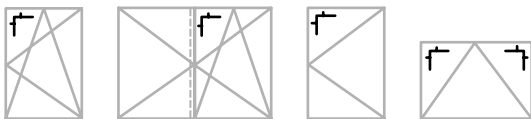
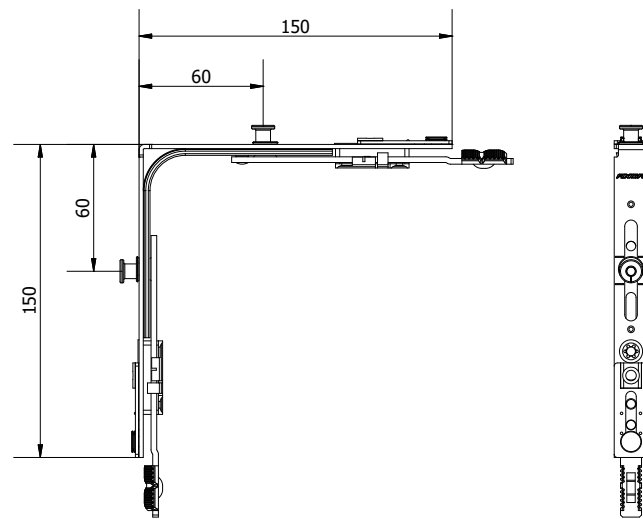


### ▶ Corner transmission, 2ML, 150x150

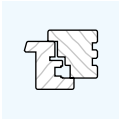
- not intended for WK security level.



### ▶ Corner transmission, 2 ML, Se, 150x150



Description	Application range						Part No.
	SRW (mm)	SRH (mm)					
Corner transmission 2 ML, 150x150	400-1520	450-2390	2	—	4	50	K2002-00-N03
Corner transmission, 2 ML, Se, 150x150	400-1520	450-2390	—	2	4	50	K2012-00-N03
Corner transmission, 1 MR, 1 ML, 150x150	400-1520	450-2390	1	1	4	50	K2013-00-N03

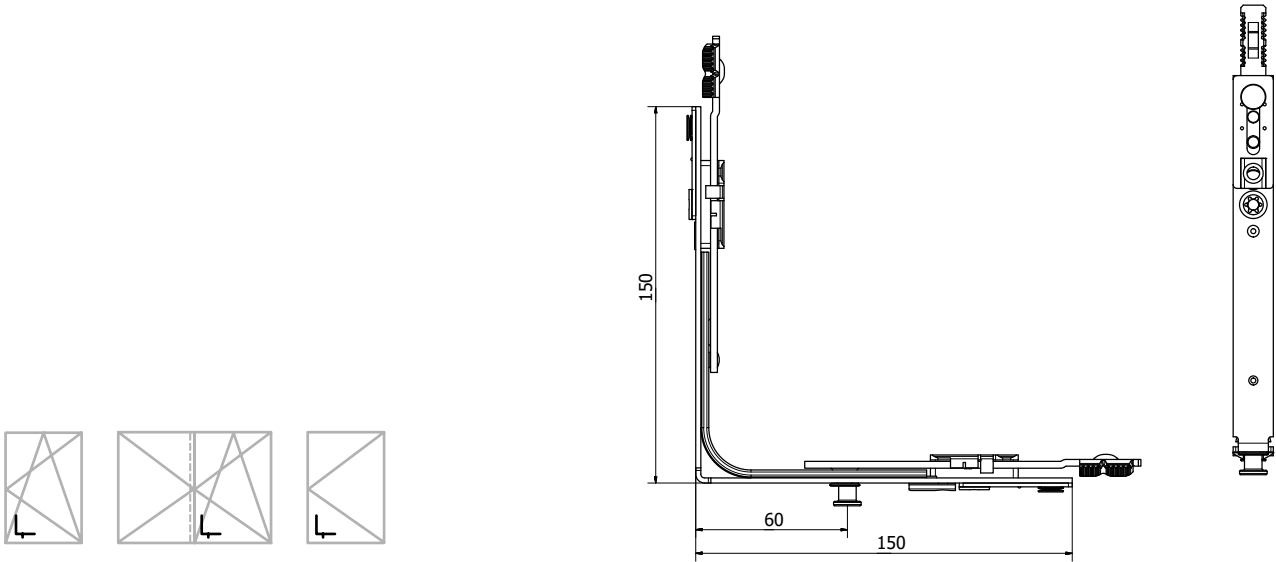


**Section 3**  
 Corner transmissions  
 Middle locks

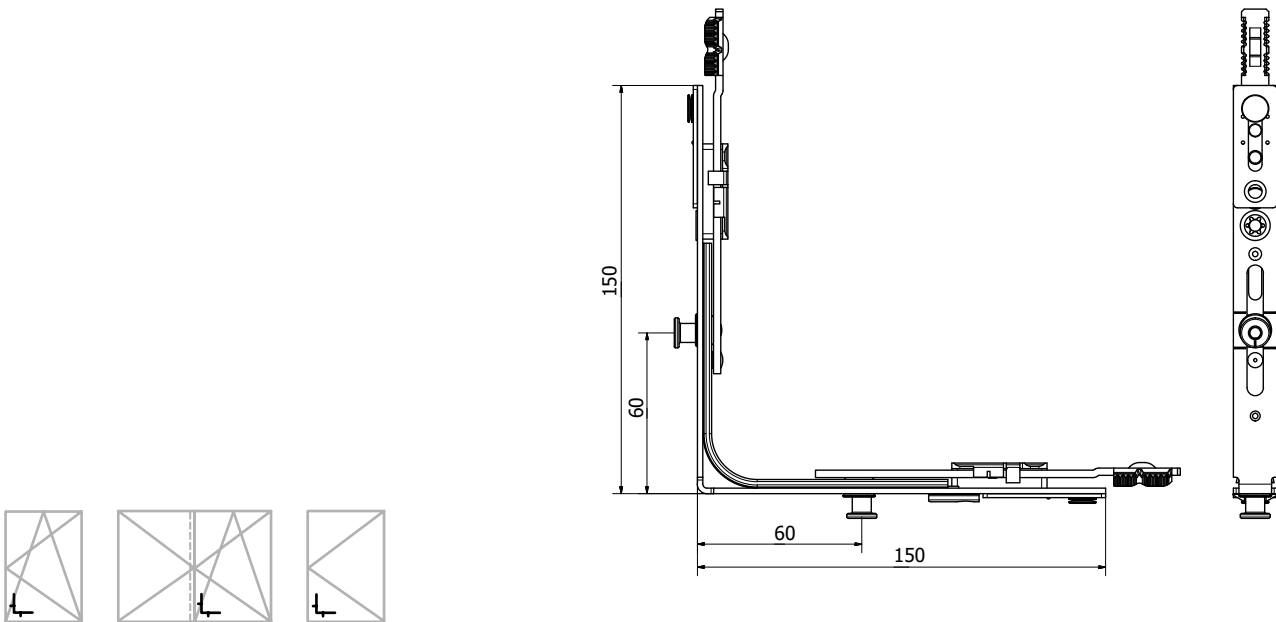
**Corner transmission**



▶ Bottom corner transmission with lifter, 1ML, 150x150



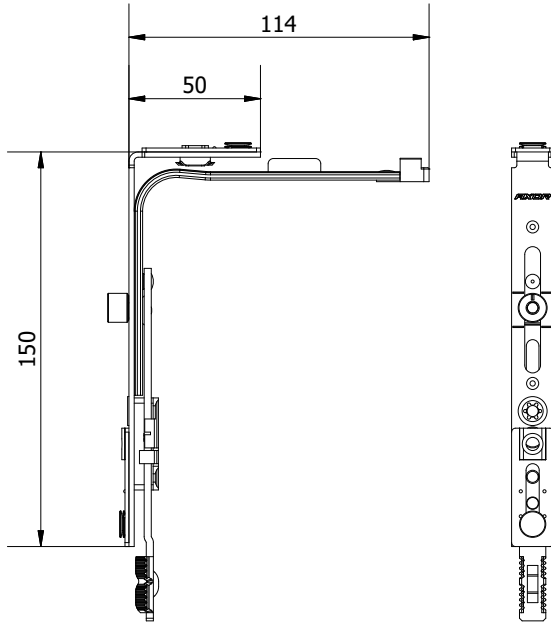
▶ Bottom corner transmission with lifter, 2ML, 150x150



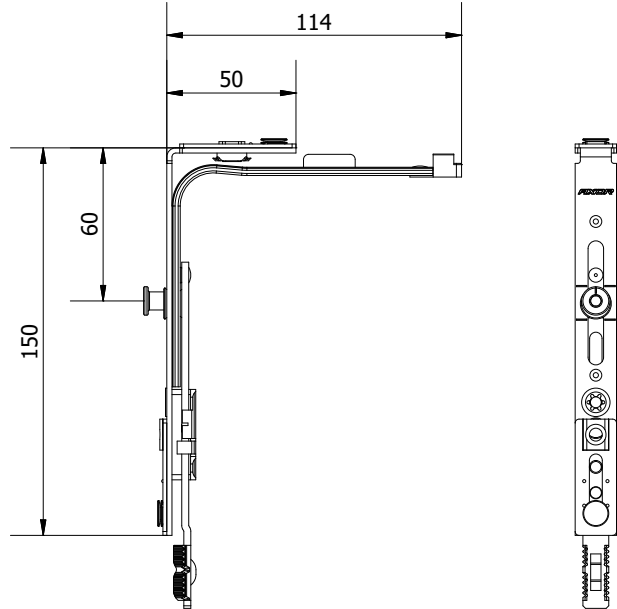
Description	Application range					Part No.
	SRW (mm)	SRH (mm)				
Bottom corner transmission with lifter, 1ML, 150x150	400-1520	450-2390	1	4	50	K2008-00-N03
Bottom corner transmission with lifter, 2ML, 150x150	400-1520	450-2390	2	4	50	K2009-00-N03



▶ Narrow corner transmission 50x150

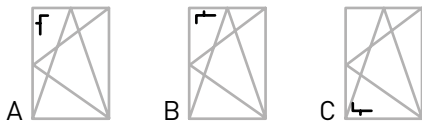


▶ Narrow corner transmission 50x150, with mushroom pin



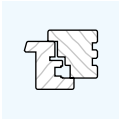
- not intended for double-sash windows;

In order to use the narrow corner transmission according to scheme B the distance from the bottom of the fitting groove to the handle axis should be 225 mm, i.e. a hole for handle on gear K1001-02-N03 is displaced from the center of the sash in application range of the sash's height 370-450 mm.



Description	Side opening	Application range						Part No.
		SRW (mm)	SRH (mm)					
Narrow corner transmission 50x150	A	300-400	450-2390	1	—	3	50	K2003-00-N03
Narrow corner transmission 50x150	B	400-600	370-450	1	—	3	50	K2003-00-N03
Narrow corner transmission, 1 ML, Se, 50x150,	A	300-400	450-2390	—	1	3	50	K2006-00-N03
Narrow corner transmission 1 ML, Se, 50x150,	B	400-600	370-450	—	1	3	50	K2006-00-N03
Narrow corner transmission 1 ML, Se, 50x150,	C	400-600	300-350	—	1	3	50	K2006-00-N03
Narrow corner transmission, without locking pin	A	300-400	450-2390	—	—	3	50	K2017-00-N03
Narrow corner transmission, without locking pin	B	400-600	370-450	—	—	3	50	K2017-00-N03



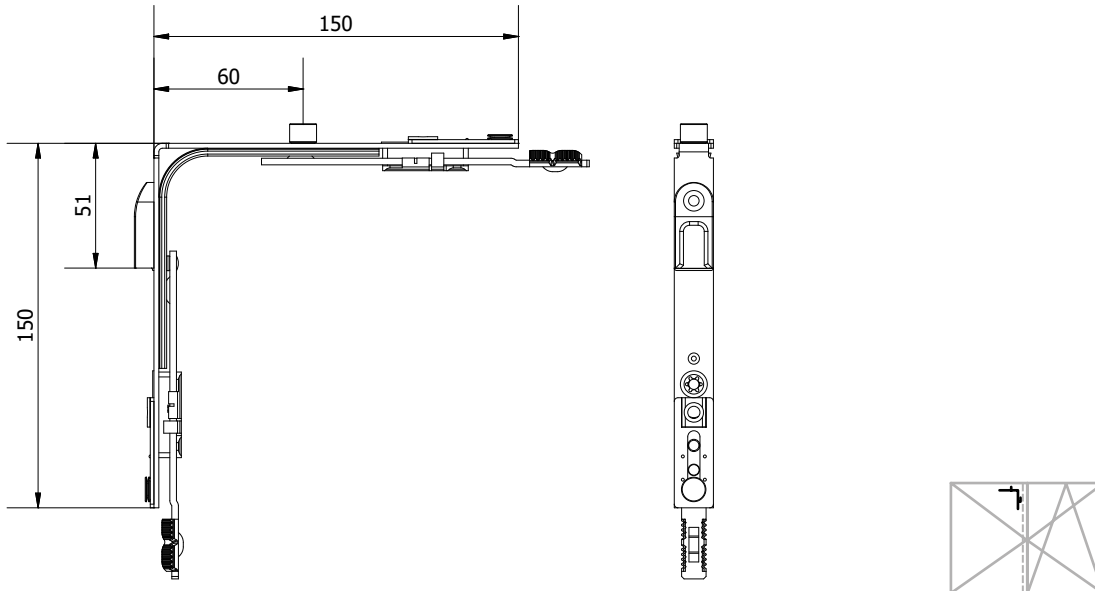


**Section 3**  
 Corner transmissions  
 Middle locks

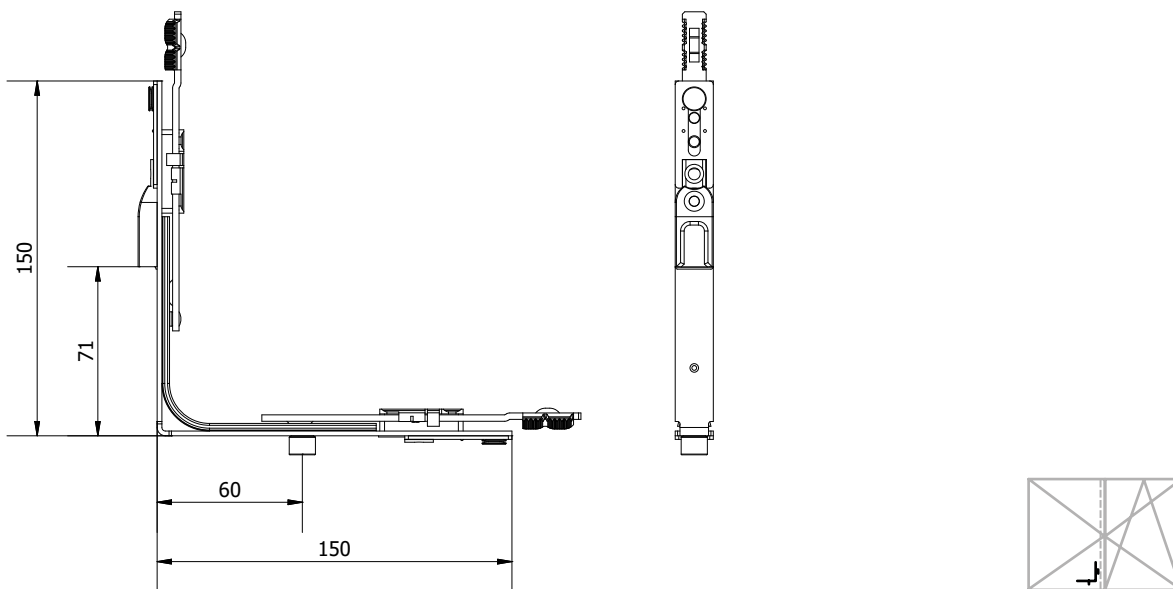
**Double sash  
 corner transmission**



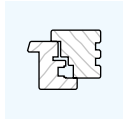
▶ **Double sash corner transmission, top**



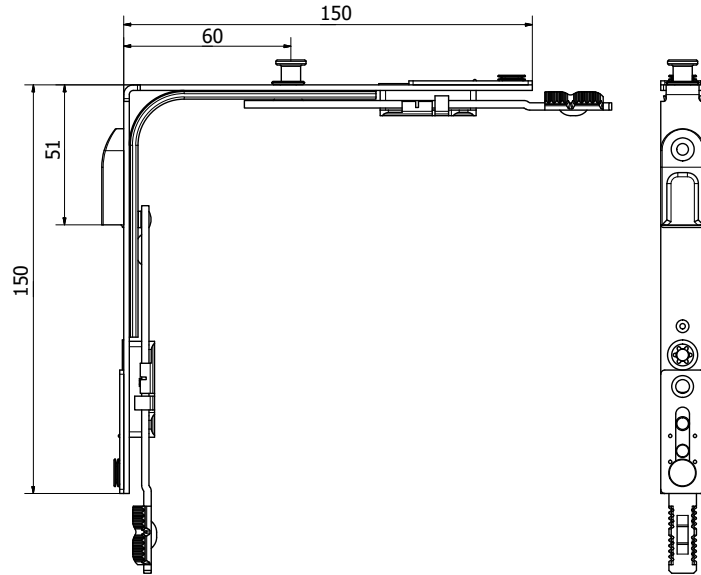
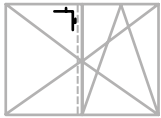
▶ **Double sash corner transmission, bottom**



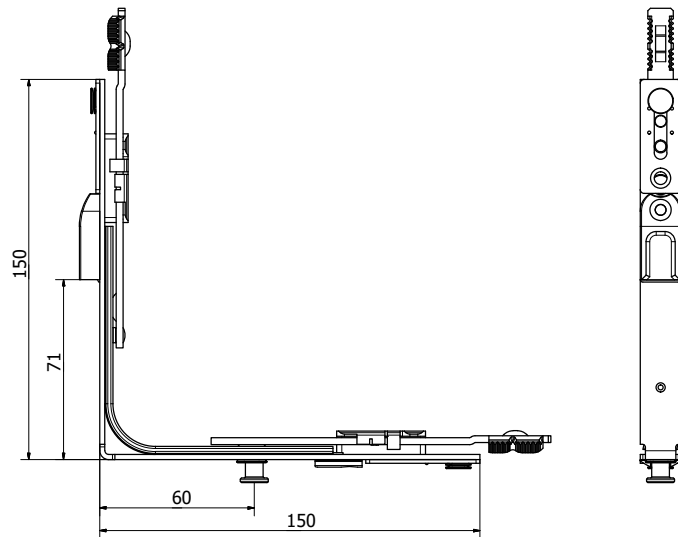
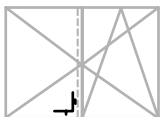
Description	Application range						Part No.
	SRW (mm)	SRH (mm)					
Double sash corner transmission, top	400-1520	450-2390	1	1	4	50	K2007-01-N03
Double sash corner transmission, bottom	400-1520	450-2390	1	1	4	50	K2007-02-N03



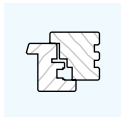
▶ Double sash corner transmission, 1 ML, Se, with mushroom pin, timber, top



▶ Double sash corner transmission, 1 ML, Se, with mushroom pin, timber, bottom



Description	Application range						Part No.
	SRW (mm)	SRH (mm)					
Double sash corner transmission, 1 ML, Se, timber, top	400-1520	450-2390	1	1	4	50	K2011-00-N03
Double sash corner transmission, 1 ML, Se, timber, bottom	400-1520	450-2390	1	1	4	50	K2010-00-N03



### Section 3

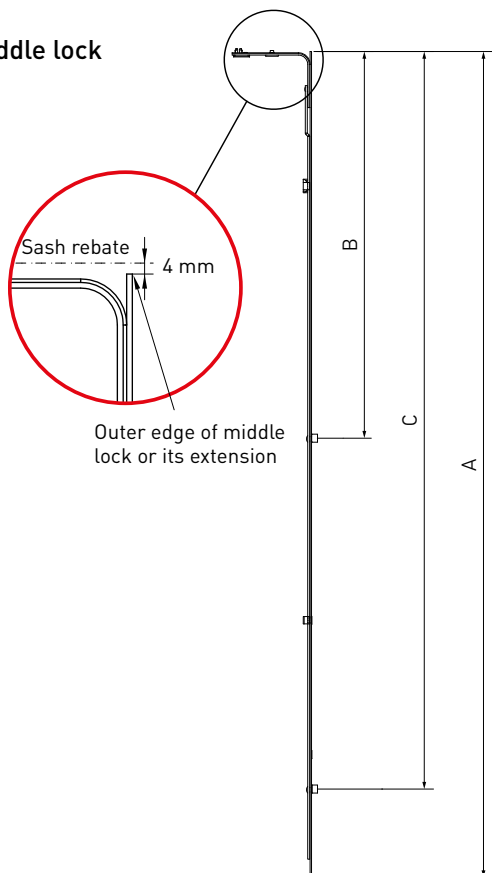
#### Corner transmissions

#### Middle locks

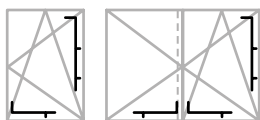
### Middle lock



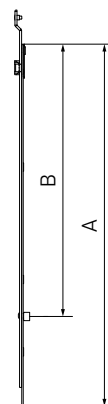
#### ▶ Middle lock



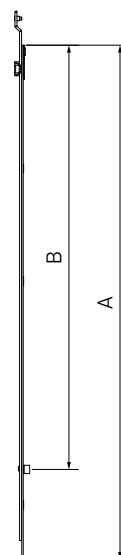
- wrong operation safety device is necessary;
- addition of extension is available;
- not destined for WK security level.



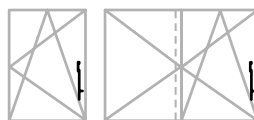
#### ▶ Middle lock extension 480 mm



#### ▶ Middle lock extension 680 mm



- for additional locking point;
- for height >1710 mm.

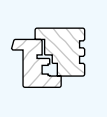


Description	SRH (mm)	SRW (mm)	Dimensions						Part No.
			A	B*	C*				
Middle lock L= 400, 1 ML	600-1000	600-1000	400	280	—	1	3	20	K4001-04-N03
Middle lock L= 650, 1 ML	850-1250	850-1250	650	530	—	1	5	20	K4001-06-N03
Middle lock L=720, 1 ML	920-1320	920-1320	720	600	—	1	5	20	K4001-07-N03
Middle lock L= 820, 2 ML	1251-1430	1251-1430	820	700	—	1	5	20	K4001-08-N03
Middle lock L= 1130, 2 ML	1251-1730	—	1130	530	1010	2	8	20	K4001-11-N03

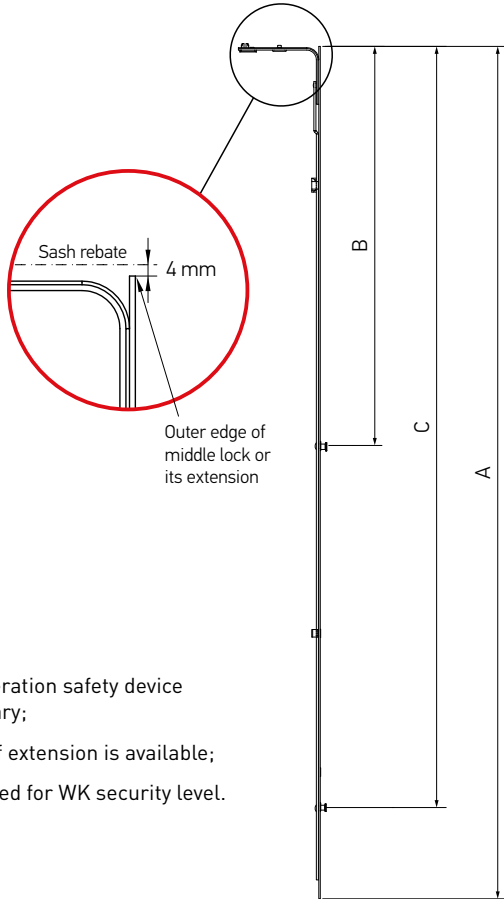
  

Description	SRH (mm)	SRW (mm)	Dimensions						Part No.
			A	B	C				
Middle lock extension 480 mm	1710-2210	1280-1520	480	360	—	1	4	20	K4005-05-N03
Middle lock extension 680 mm	2211-2390	—	680	560	—	1	5	20	K4005-07-N03

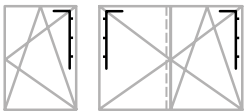
\* Dimensions B and C are distances from the outer edge of middle lock or its extension to the locking pin axis



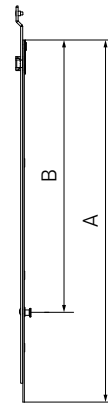
### ▶ Middle lock



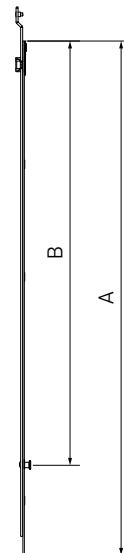
- wrong operation safety device is necessary;
- addition of extension is available;
- not intended for WK security level.



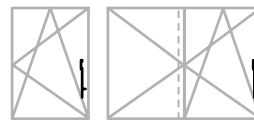
### ▶ Middle lock extension, Se, 480 mm



### ▶ Middle lock extension, Se, 680 mm



- for additional locking point;
- for height >1710 mm.

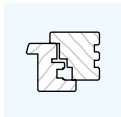


Description	SRH (mm)	SRW (mm)	Dimensions						Part No.
			A	B*	C*				
Middle lock L=400, 1 ML, Se	600-1000	600-1000	400	280	—	1	3	20	K4017-04-N03
Middle lock L=650, 1 ML, Se	850-1250	850-1250	650	530	—	1	5	20	K4017-06-N03
Middle lock L=820, 1 ML, Se	1251-1430	1251-1430	820	700	—	1	5	20	K4017-08-N03
Middle lock L=1130, 2 ML, Se	1251-1730	—	1130	530	1010	2	8	20	K4017-11-N03

Description	SRH (mm)	SRW (mm)	Dimensions						Part No.
			A	B	C				
Middle lock extension, Se, 480 mm	1710-2210	1280-1520	480	360	—	1	4	20	K4025-05-N03
Middle lock extension, Se, 680 mm	2211-2390	—	680	560	—	1	5	20	K4025-07-N03

\* Dimensions B,C and D are distances from the outer edge of middle lock or its extension to the locking pin axis



### Section 3

#### Corner transmissions

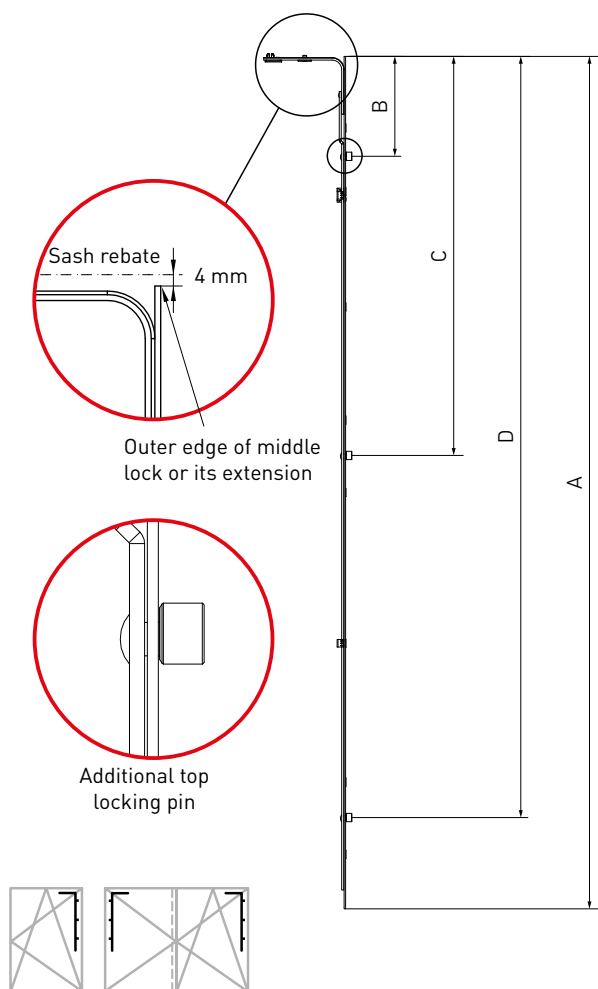
#### Middle locks

### Middle lock

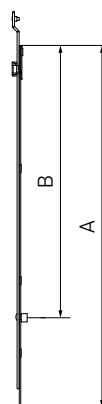
#### 2 ML



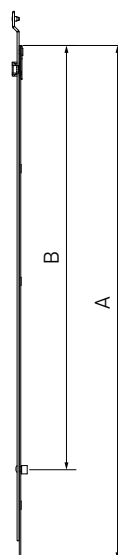
#### ▶ Middle lock with additional roller pin



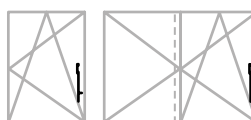
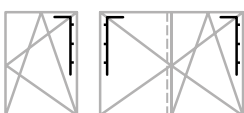
#### ▶ Middle lock extension 480 mm



#### ▶ Middle lock extension 680 mm

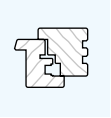


- for additional locking point;
- for height >1710 mm.

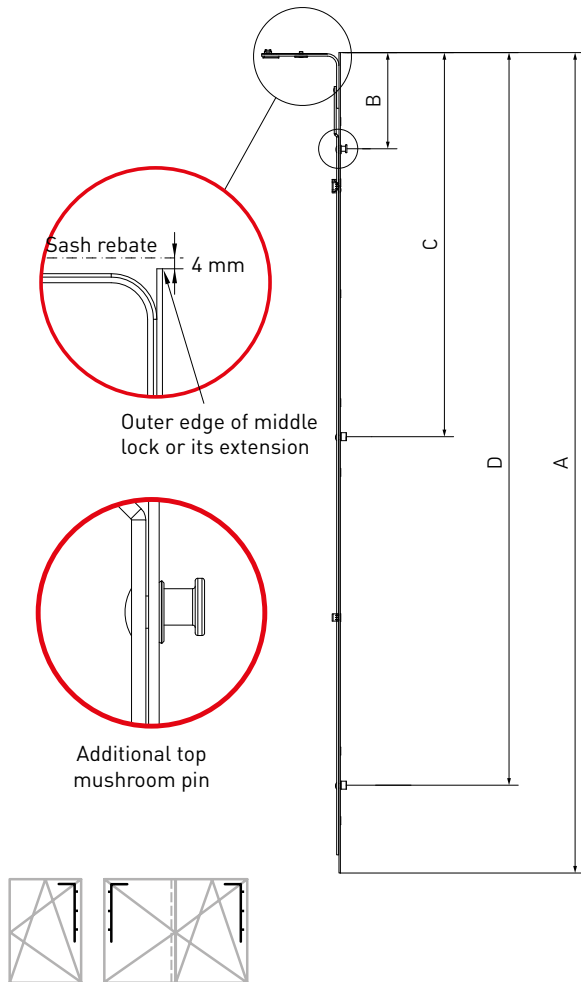


Description	SRH (mm)	SRW (mm)	Dimensions							Part No.
			A	B*	C*	D*				
Middle lock L= 400, 2 ML	600-1000	600-1000	400	132	280	—	2	3	20	K4004-04-N03
Middle lock L= 650, 2 ML	850-1250	850-1250	650	132	530	—	2	5	20	K4004-06-N03
Middle lock L= 820, 2 ML	1251-1430	1251-1430	820	132	700	—	2	5	20	K4004-08-N03
Middle lock L= 1130, 3 ML	1251-1730	—	1130	132	530	1010	3	8	20	K4004-11-N03
Description	SRH (mm)	SRW (mm)	Dimensions						Part No.	
			A	B	C					
Middle lock extension 480 mm	1710-2210	1280-1520	480	360	—	1	4	20	K4005-05-N03	
Middle lock extension 680 mm	2211-2390	—	680	560	—	1	5	20	K4005-07-N03	

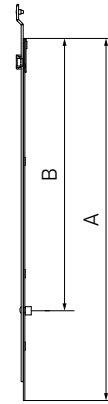
\* Dimensions B,C and D are distances from the outer edge of middle lock or its extension to the locking pin axis



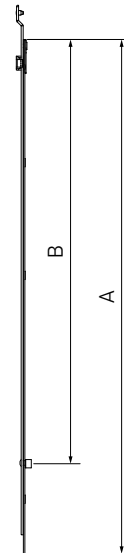
### ▶ Middle lock with additional mushroom pin



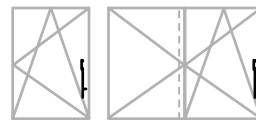
### ▶ Middle lock extension 480 mm



### ▶ Middle lock extension 680 mm

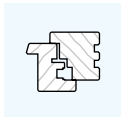


- for additional locking point;
- for height > 1710 mm.



Description	SRH (mm)	SRW (mm)	Dimensions								Part No.
			A	B*	C*	D*					
Middle lock L= 400, 1 MR + 1 ML, 600-1000	600-1000	600-1000	400	132	280	—	1	1	3	20	K4008-04-N03
Middle lock L= 650, 1 MR + 1 ML, 850-1250	850-1250	850-1250	650	132	530	—	1	1	5	20	K4008-06-N03
Middle lock L= 820, 1 MR + 1 ML, 1250-1430	1251-1430	1251-1430	820	132	700	—	1	1	5	20	K4008-08-N03
Middle lock L= 1130, 1 MR + 2 ML, 1250-1730	1251-1730	—	1130	132	530	1010	2	1	8	20	K4008-11-N03
Description	SRH (mm)	SRW (mm)	Dimensions							Part No.	
			A	B	C						
Middle lock extension 480 mm	1710-2210	1280-1520	480	360	—	1	0	4	20	K4005-05-N03	
Middle lock extension 680 mm	2211-2390	—	680	560	—	1	0	5	20	K4005-07-N03	

\* Dimensions B,C and D are distances from the outer edge of middle lock or its extension to the locking pin axis



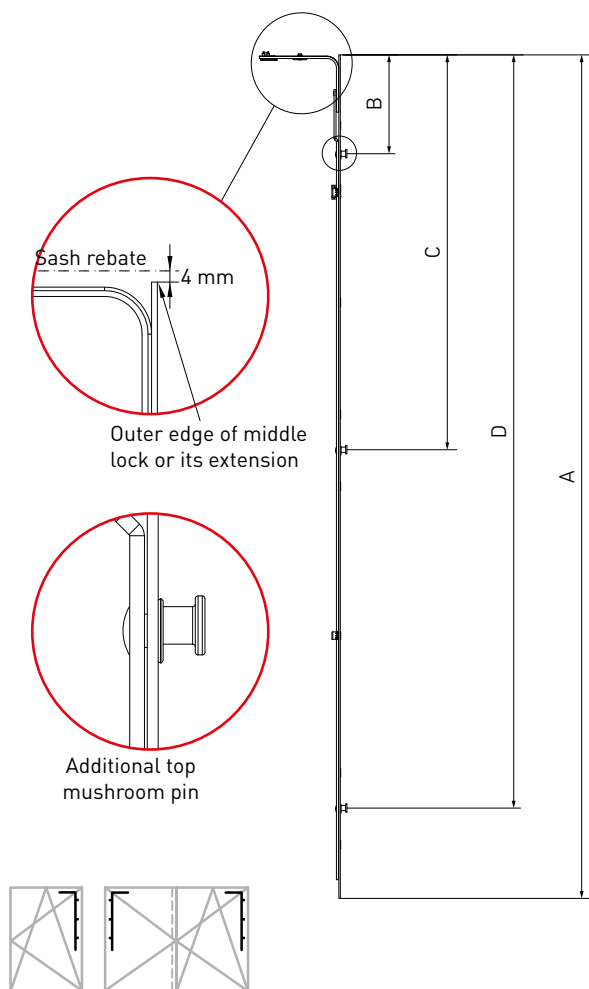
### Section 3

Corner transmissions  
Middle locks

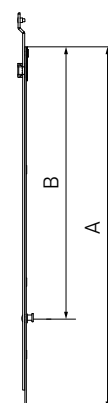
## Middle lock with mushroom pins



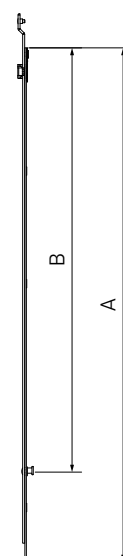
### ▶ Middle lock with mushroom pins



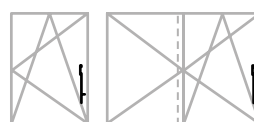
### ▶ Middle lock extension 480 mm, with mushroom pins



### ▶ Middle lock extension 680 mm, with mushroom pins

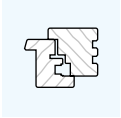


- for additional locking point;
- for height >1710 mm.

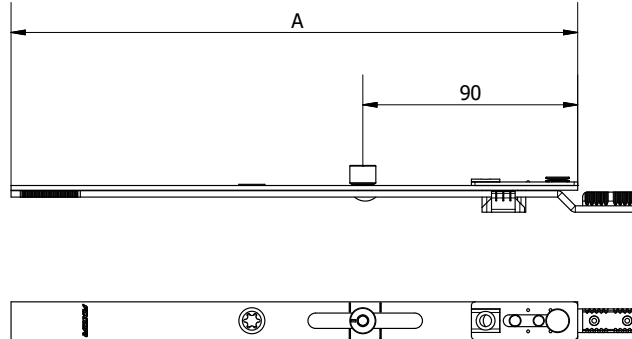


Description	SRH (mm)	SRW (mm)	Dimensions							Part No.
			A	B*	C*	D*				
Middle lock L= 400, 2 MR, 600-1000	600-1000	600-1000	400	132	280	—	2	3	20	K4024-04-N03
Middle lock L= 650, 2 MR, 850-1250	850-1250	850-1250	650	132	530	—	2	5	20	K4024-06-N03
Middle lock L= 820, 2 MR, 1250-1430	1251-1430	1251-1430	820	132	700	—	2	5	20	K4024-08-N03
Middle lock L= 1130, 3 MR, 1250-1730	1251-1730	—	1130	132	530	1010	3	8	20	K4024-11-N03
Description	SRH (mm)	SRW (mm)	Dimensions						Part No.	
			A	B	C					
Middle lock extension 1 MR, 480 mm	1710-2210	1280-1520	480	360	—	1	4	20	K4015-05-N03	
Middle lock extension 1 MR, 680 mm	2211-2390	—	680	560	—	1	5	20	K4015-07-N03	

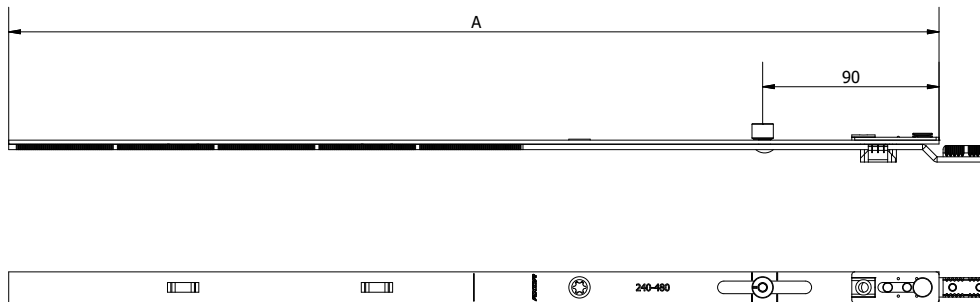
\* Dimensions B,C and D are distances from the outer edge of middle lock or its extension to the locking pin axis



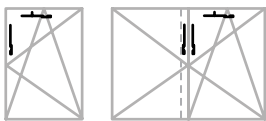
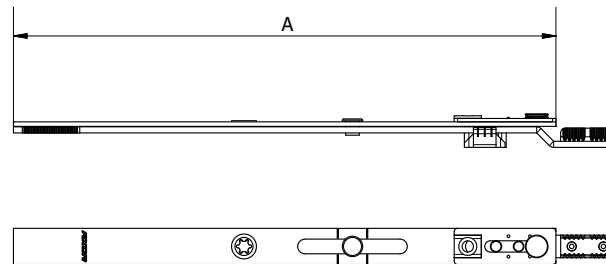
▶ Extension lock 240 mm



▶ Extension lock 480 mm

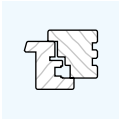


▶ Extension lock without locking pin



Description	Dimension					Part No.
Extension lock 240 mm	240	1	—	2	25	K4003-02-N03
Extension lock 480 mm	480	1	—	2	25	K4003-05-N03
Extension lock 240 mm,Se	240	—	1	2	25	K4023-02-N03
Extension lock 480 mm, Se	480	—	1	2	25	K4023-05-N03
Extension lock without locking pin	240	—	—	2	20	K4038-02-N03





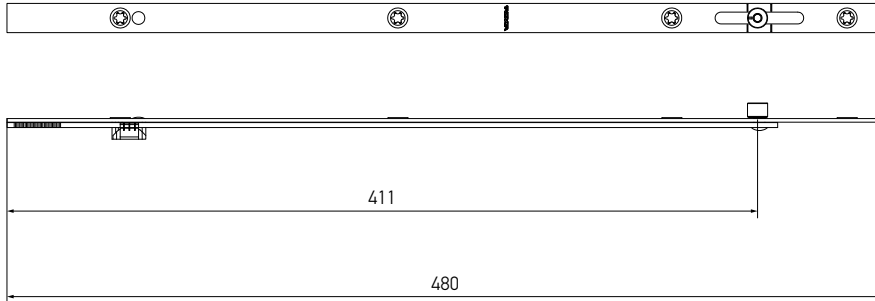
### Section 3

Corner transmissions  
Middle locks

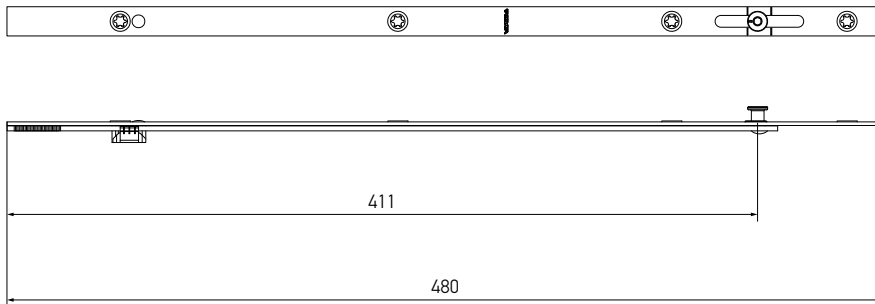
### Extension locks



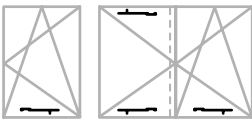
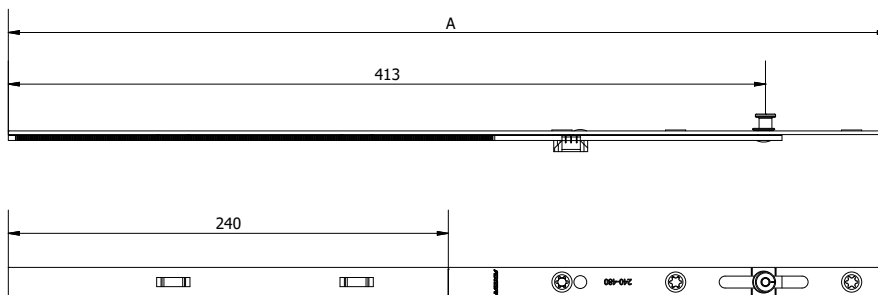
#### ▶ Corner transmissions extension lock, 480 mm



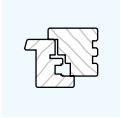
#### ▶ Corner transmissions extension lock, Se



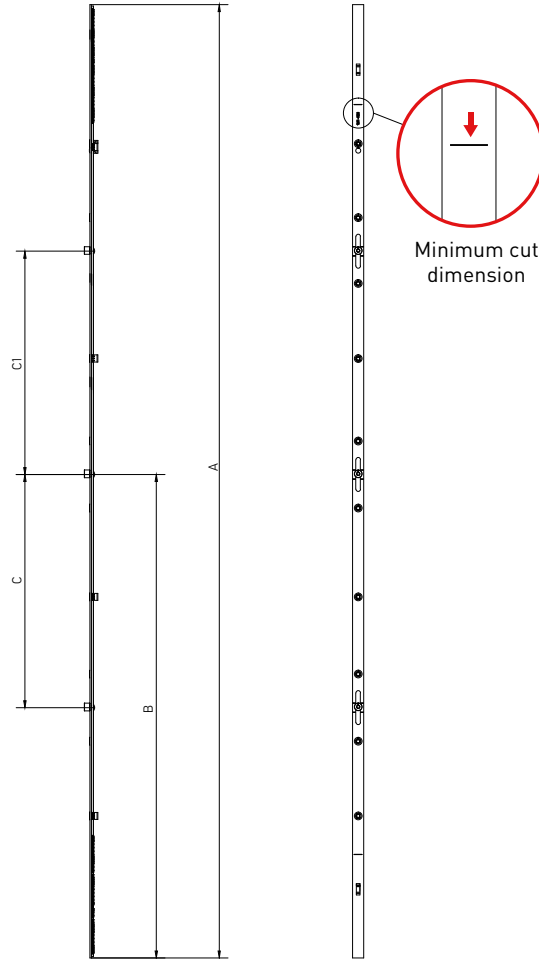
#### ▶ Extension lock with possibility to cut



Description	Dimension					Part No.
Corner transmissions extension lock, 480 mm	480	1	—	4	20	K4010-00-N03
Corner transmissions extension lock, 680 mm	680	1	—	4	20	K4010-07-N03
Corner transmissions extension lock, 480 mm, Se	480	—	1	4	20	K4030-00-N03
Extension lock with possibility to cut, 480 mm	480	—	1	3	20	K4036-05-N03
Extension lock with possibility to cut, 720 mm	720	—	1	4	20	K4036-07-N03

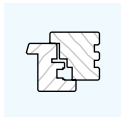


### ▶ Middle connection



Description	SRW (mm)	Dimensions								Part No.
		A	B	C	C-1					
Middle connection L = 450, 551-750	551-750	450	225	—	—	—	—	2	20	K4013-05-N03
Middle connection L = 650, 751-950	751-950	650	325	—	—	1	—	4	20	K4013-07-N03
Middle connection L = 1130, 951-1430	951-1430	1130	565	—	—	1	—	4	20	K4013-11-N03
Middle connection L = 1610, 1431-1910	1431-1910	1610	805	330	330	2	—	8	10	K4013-16-N03
Middle connection L = 2090, 1911-2390	1911-2390	2090	1045	595	595	3	—	10	10	K4013-21-N03
Middle connection* L = 650, 751-950, Se	751-950	650	325	—	—	—	1	4	20	K4033-07-N03
Middle connection* L = 1130, 951-1430, Se	951-1430	1130	565	—	—	—	1	4	20	K4033-11-N03
Middle connection* L = 1610, 1431-1910, Se	1431-1910	1610	805	330	330	—	2	8	10	K4033-16-N03
Middle connection* L = 2090, 1911-2390, Se	1011-2390	2090	1045	595	595	—	3	10	10	K4033-21-N03

\* we offer security pins for different protection degree.



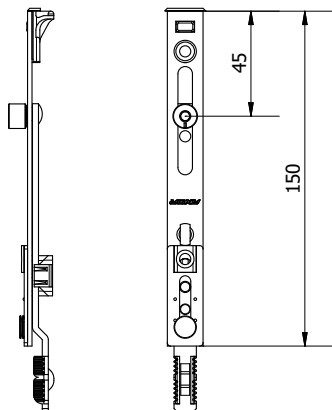
### Section 3

Corner transmissions  
Middle locks

### Top and bottom extension for turn sash

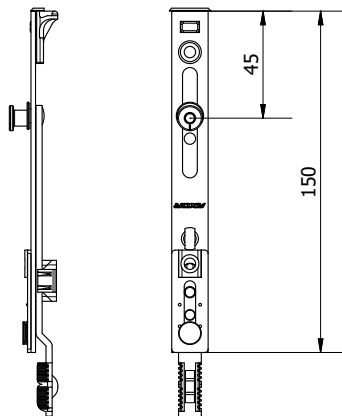


▶ Top extension for turn sash 180°



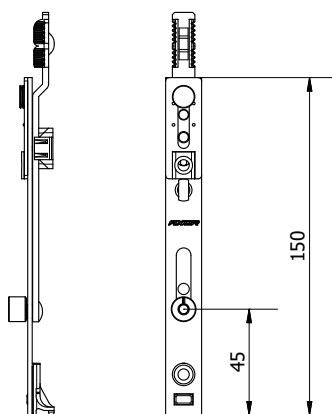
- connection of middle lock is available.

▶ Top extension for turn sash 180°, Se



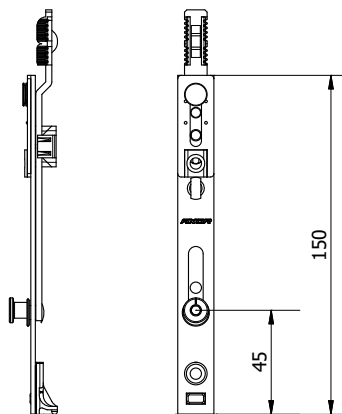
- connection of middle lock is available.

▶ Bottom extension for turn sash 90°

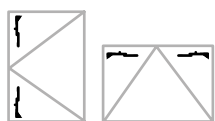


- connection of middle lock is available.

▶ Bottom extension for turn sash 90°, Se



- connection of middle lock is available.



Description	SRH (mm)					Part No.
Top extension for turn sash 180°	450-2390	1	—	3	25	K4011-00-N03
Bottom extension for turn sash 90°	450-2390	1	—	3	25	K4007-00-N03
Top extension for turn sash 180°, Se	450-2390	—	1	3	50	K4031-00-N03
Bottom extension for turn sash 90°, Se	450-2390	—	1	3	50	K4027-00-N03
Top extension for turn sash 90°	450-2390	1	—	3	50	K4037-00-N03

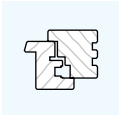


**AXOR**<sup>TM</sup>

# KOMFORT LINE K-3

Stay arm

**AXOR**



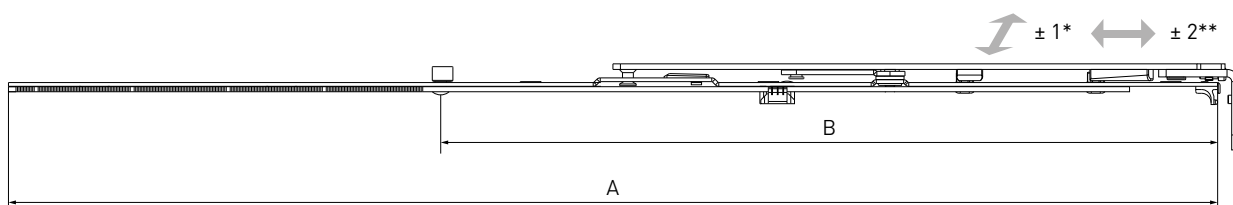
## Section 4 Stay arm

## Stay arm 13 profile system

**AXOR**™



### ► Stay arm

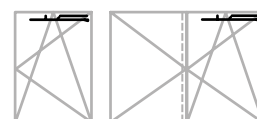


- profile system: 24/8-12/18(20)-13 и 30/20-12/18(20)-13;  
with 18-20 mm sash overlap;

- sash rebate gap min. 12 mm.

\* clamp adjustment, mm

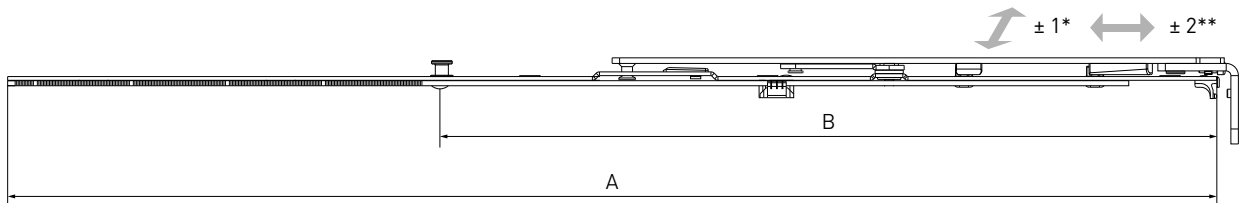
\*\* horizontal adjustment, mm



Description	SRW (mm)	Dimensions						Part No.
		A	B					
Stay arm L= 450, 400-600	400-600	450	—	0	130	3	20	K3001-05-N03
Stay arm L= 500, 450-650	450-650	650	—	0	130	4	20	K3001-06-N03
Stay arm L= 650, 601-800	601-800	650	—	0	130	4	20	K3001-07-N03
Stay arm L= 650, 601-800, 1 ML	601-800	650	415	1	130	4	10	K3001-57-N03
Stay arm L= 890, 801-1040	801-1040	890	537	1	130	6	10	K3001-09-N03
Stay arm L= 1130, 1041-1280	1041-1280	1130	624	1	130	7	10	K3001-11-N03



► Stay arm with mushroom pin

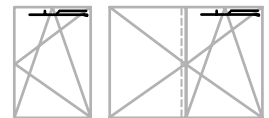


- profile system: 24/8-12/18(20)-13 и 30/20-12/18(20)-13;  
with 18-20 mm sash overlap;

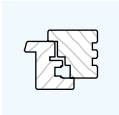
- sash rebate gap min. 12 mm.

\* clamp adjustment, mm

\*\* horizontal adjustment,mm



Description	SRW (mm)	Dimensions						Part No.
		A	B					
Stay arm L= 890, 801-1040, SE	601-800	650	415	1	130	4	20	K3021-57-N03
Stay arm L= 1130, 1041-1280, SE	801-1040	890	537	1	130	6	10	K3021-09-N03
Stay arm L= 650, 601-800, 1 ml, SE	1041-1280	1130	624	1	130	7	10	K3021-11-N03

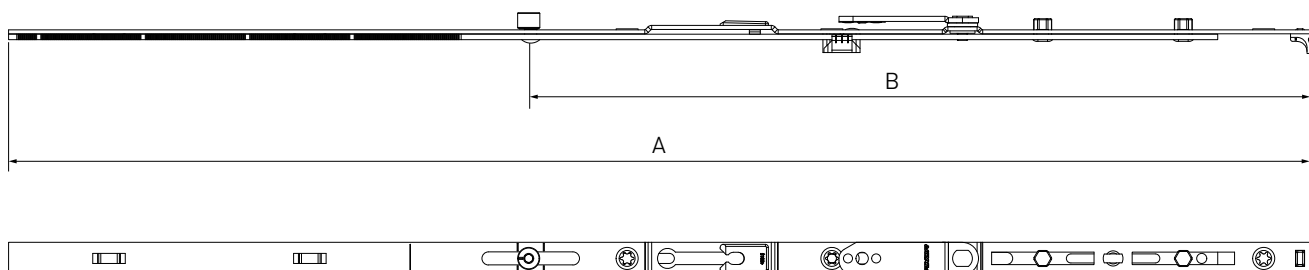


## Section 4 Stay arm

## Stay arm 9 profile system

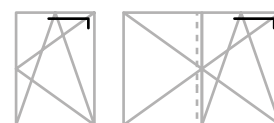
**AXOR**™

### ▶ Stay arm, sash part



- profile system: 18/8-12/18(20)-09

- sash rebate gap min. 12 mm.

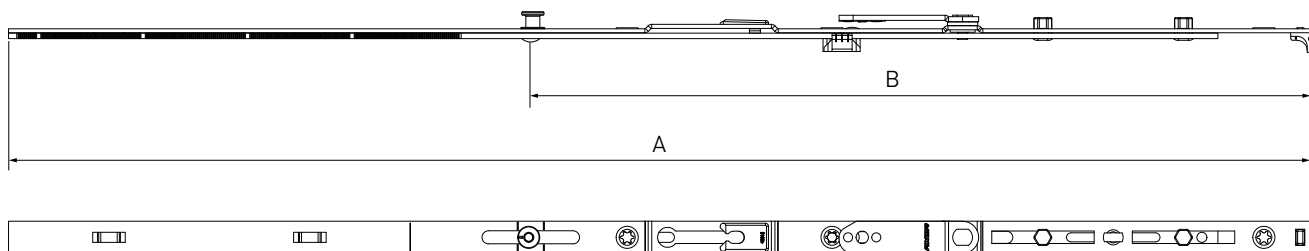


Description	SRW (mm)	Dimensions		Cylinder	kg	Screw	Box	Part No.
		A	B					
Stay arm connecting plate, SP*, L= 485, 400-600	400-600	450	—	—	130	3	20	K3013-05-N03
Stay arm connecting plate, SP*, L= 685, 601-800	601-800	650	—	—	130	4	20	K3013-07-N03
Stay arm connecting plate 2+ML, SP*, L= 685, 601-800	601-800	650	415	1	130	4	20	K3013-57-N03
Stay arm connecting plate, SP*, L= 925, 801-1040, 1 ml	801-1040	890	537	1	130	6	10	K3013-09-N03
Stay arm connecting plate, SP*, L= 1165, 1041-1280, 1 ml	1041-1280	1130	624	1	130	7	10	K3013-11-N03

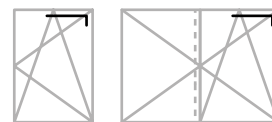
\* sash part



► Stay arm with mushroom pin, sash part

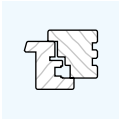


- profile system: 18/8-12/18(20)-09
- sash rebate gap min. 12 mm.



Description	SRW (mm)	Dimensions						Part No.
		A	B					
Stay arm connecting plate 2+MR, SP*, L= 685, 601-800	601-800	650	415	1	130	4	20	K3023-57-N03
Stay arm connecting plate, SP*, L= 925, 801-1040, 1 MR	801-1040	890	537	1	130	6	10	K3023-09-N03
Stay arm connecting plate, SP*, L= 1165, 1041-1280, 1 MR	1041-1280	1130	624	1	130	7	10	K3023-11-N03





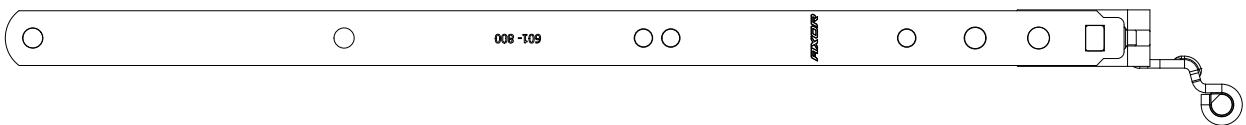
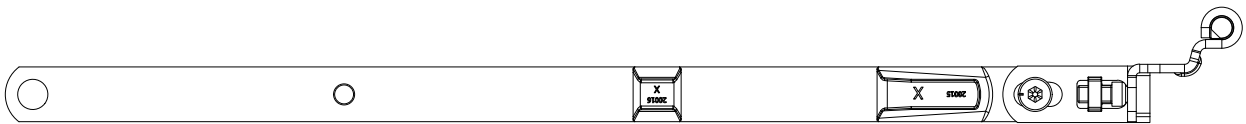
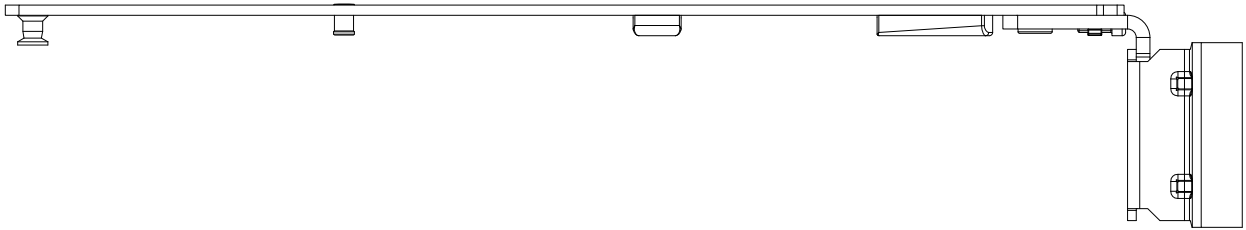
## Section 4 Stay arm

## Stay arm 9 profile system

**AXOR**™

### ▶ Stay arm, frame part

$\pm 1^*$   $\pm 2^{**}$

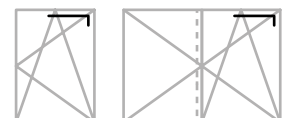


- profile system: 18/8-12/18(20)-09;

- sash rebate gap min. 12 mm.

\* clamp adjustment, mm

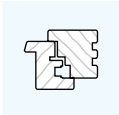
\*\* horizontal adjustment, mm





Description	SRW (mm)	Side opening	Overlap	kg		Part No.
Stay arm, FP*, L= 248, 400-600, 20/09 mm, left	400-600	L	20	130	25	K3025-02-L03
Stay arm, FP*, L= 248, 400-600, 20/09 mm, right	400-600	R	20	130	25	K3025-02-R03
Stay arm, FP*, L= 319, 601-800, 20/09 mm, left	601-800	L	20	130	25	K3025-03-L03
Stay arm, FP*, L= 319, 601-800, 20/09 mm, right	601-800	R	20	130	25	K3025-03-R03
Stay arm, FP*, L= 449, 801-1040, 20/09 mm, left	801-1040	L	20	130	25	K3025-04-L03
Stay arm, FP*, L= 449, 801-1040, 20/09 mm, right	801-1040	R	20	130	25	K3025-04-R03
Stay arm, FP*, L= 539, 1041-1280, 20/09 mm, left	1041-1280	L	20	130	25	K3025-05-L03
Stay arm, FP*, L= 539, 1041-1280, 20/09 mm, right	1041-1280	R	20	130	25	K3025-05-R03
Stay arm, FP*, L= 248, 400-600, 18/09 mm, left	400-600	L	18	130	25	K3026-02-L03
Stay arm, FP*, L= 248, 400-600, 18/09 mm, right	400-600	R	18	130	25	K3026-02-R03
Stay arm, FP*, L= 319, 601-800, 18/09 mm, left	601-800	L	18	130	25	K3026-03-L03
Stay arm, FP*, L= 319, 601-800, 18/09 mm, right	601-800	R	18	130	25	K3026-03-R03
Stay arm, FP*, L= 449, 801-1040, 18/09 mm, left	801-1040	L	18	130	25	K3026-04-L03
Stay arm, FP*, L= 449, 801-1040, 18/09 mm, right	801-1040	R	18	130	25	K3026-04-R03
Stay arm, FP*, L= 539, 1041-1280, 18/09 mm, left	1041-1280	L	18	130	25	K3026-05-L03
Stay arm, FP*, L= 539, 1041-1280, 18/09 mm, right	1041-1280	R	18	130	25	K3026-05-R03

\* frame part



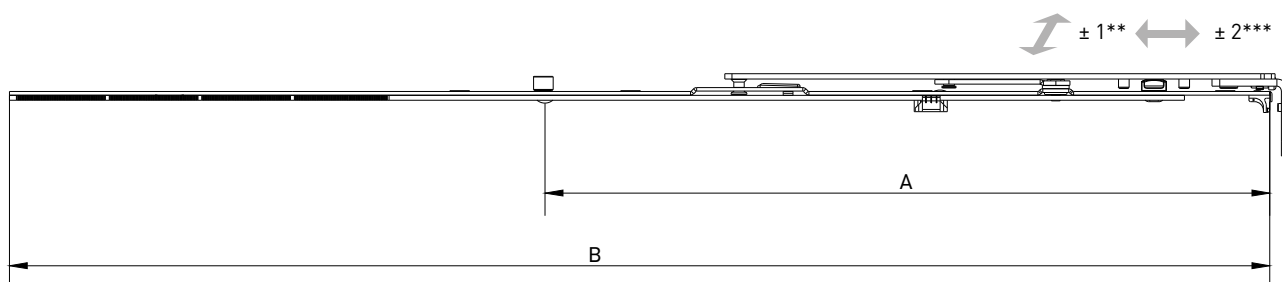
## Section 4 Stay arm

# Stay arm "First Tilt" 13 profile system

**AXOR™**



### ► Stay arm "First Tilt", frame part



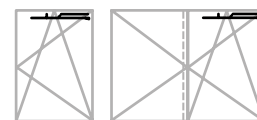
- profile system: 24/8-12/18(20)-13 и 30/20-12/18(20)-13;

- sash rebate gap min. 12 mm;

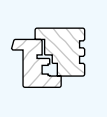
- they are used together with corner transmission and a special tilt locking plate instead of the bottom extension (see: "Hardware set combinations" section);

\* clamp adjustment, mm

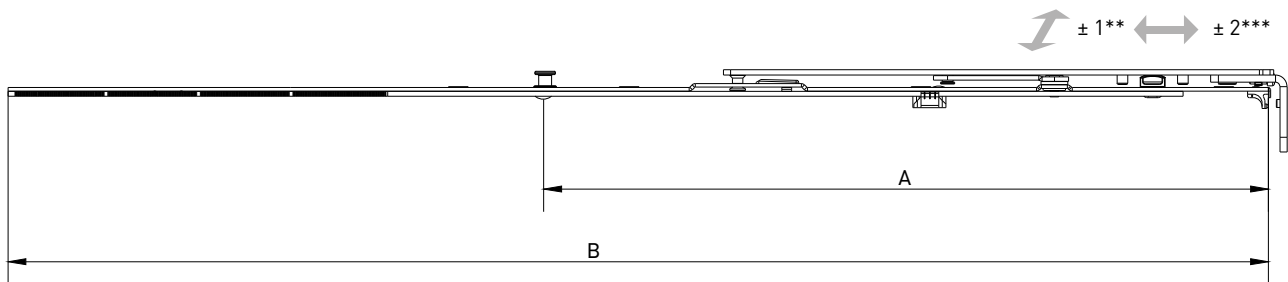
\*\* horizontal adjustment, mm



Description	SRW (mm)	Dimensions						Part No.
		A	B					
Stay arm, First Tilt, FP*, L=450, 400-600	400-600	450	—	—	130	3	20	K3014-05-N03
Stay arm, First Tilt, FP*, L=650, 601-800	601-800	650	—	—	130	4	20	K3014-07-N03
Stay arm, First Tilt, FP*, L=890, 801-1040	801-1040	890	537	1	130	6	10	K3014-09-N03
Stay arm, First Tilt, FP*, L=1130, 1041-1280	1041-1280	1130	624	1	130	7	10	K3024-11-N03



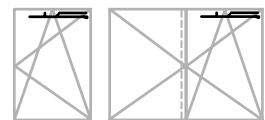
► Stay arm "First Tilt" with mushroom pin



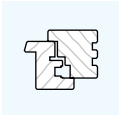
- profile system: 24/8-12/18(20)-13 и 30/20-12/18(20)-13;
- sash rebate gap min. 12 mm;
- they are used together with corner transmission and a special tilt locking plate instead of the bottom extension (see: "Hardware set combinations" section);

\*\* clamp adjustment, mm

\*\*\* horizontal adjustment, mm



Description	SRW (mm)	Dimensions						Part No.
		A	B					
Stay arm, First Tilt l=890, 801-1040, se	801-1040	890	537	1	130	6	10	K3024-09-N03
Stay arm, First Tilt l=1130, 1041-1280, se	1041-1280	1130	624	1	130	7	10	K3024-11-N03

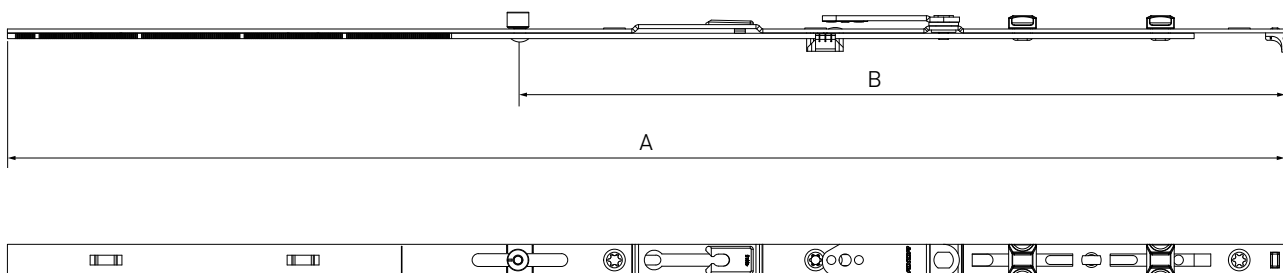


## Section 4 Stay arm

## Stay arm "First Tilt" 9 profile system

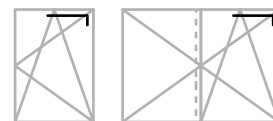
**AXOR**™

### ► Sash stay arm "First Tilt", sash part

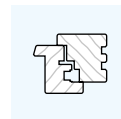


- profile system: 18/8-12/18(20)-09

- sash rebate gap min. 12 mm;

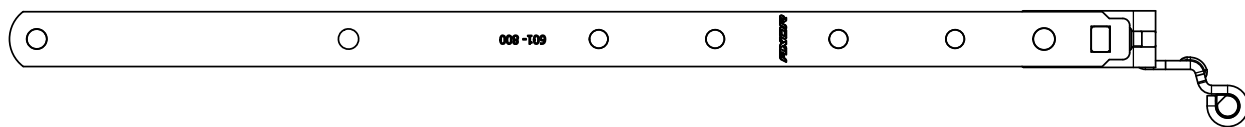
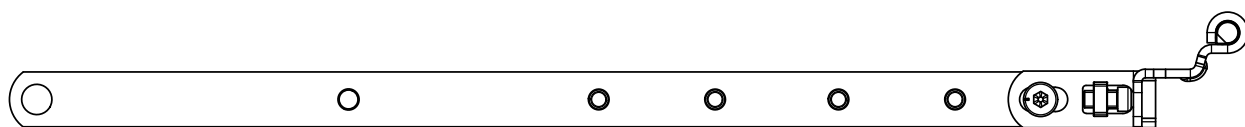
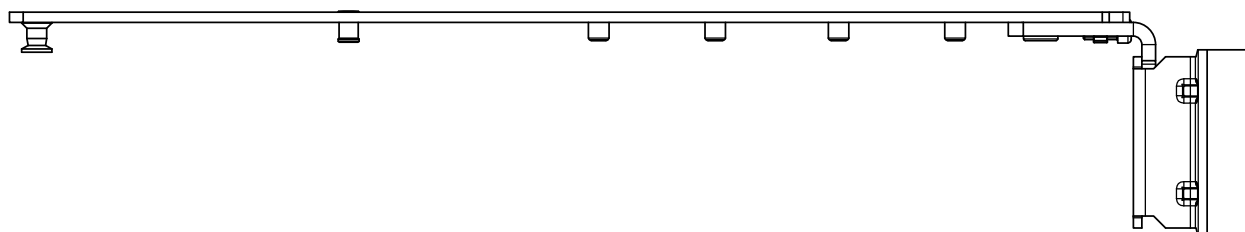


Description	SRW (mm)	Dimensions		Cylinder	kg	Screw	Box	Part No.
		A	B					
Stay arm 1, "First tilt", sash part, L=450, 400-600	400-600	450	—	—	130	3	20	K3029-05-N03
Stay arm 2, "First tilt", sash part, L=650, 601-800	601-800	650	—	—	130	4	20	K3029-07-N03
Stay arm 2+ML, "First Tilt", sash part, L= 685, 601-800	601-800	685	415	1	130	4	20	K3029-57-N03
Stay arm 3, "First tilt", sash part, L=890, 801-1040	801-1040	890	537	1	130	6	10	K3029-09-N03
Stay arm 4, "First tilt", sash part, L=1130, 1041-1280	1041-1280	1130	624	1	130	7	10	K3029-11-N03



▶ "First tilt" stay arm timber, frame part

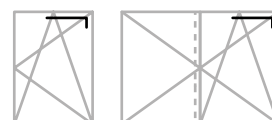
$\pm 1^*$   $\pm 2^{**}$



- profile system: 18/8-12/18(20)-09
- sash rebate gap min. 12 mm;

\* clamp adjustment, mm

\*\* horizontal adjustment, mm





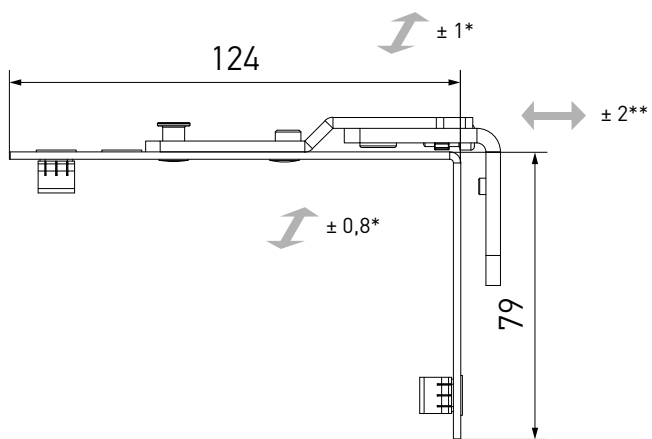
## Section 4 Stay arm

# Stay arm "First Tilt" 9 profile system **AXOR**™

Description	SRW (mm)	Side opening	Overlap	kg		Part No.
"First tilt" stay arm timber, frame part, L = 248, 400-600, 20/9 mm., left	400-600	L	20	130	25	K3027-02-L03
"First tilt" stay arm timber, frame part, L = 248, 400-600, 20/9 mm., right	400-600	R	20	130	25	K3027-02-R03
"First tilt" stay arm timber, frame part, L = 319, 601-800, 20/9 mm., left	601-800	L	20	130	25	K3027-03-L03
"First tilt" stay arm timber, frame part, L = 319, 601-800, 20/9 mm., right	601-800	R	20	130	25	K3027-03-R03
"First tilt" stay arm timber, frame part, L = 449, 801-1040, 20/9 mm., left	801-1040	L	20	130	25	K3027-04-L03
"First tilt" stay arm timber, frame part, L = 449, 801-1040, 20/9 mm., right	801-1040	R	20	130	25	K3027-04-R03
"First tilt" stay arm timber, frame part, L = 539, 1041-1280, 20/9 mm., left	1041-1280	L	20	130	25	K3027-05-L03
"First tilt" stay arm timber, frame part, L = 539, 1041-1280, 20/9 mm., right	1041-1280	R	20	130	25	K3027-05-R03
"First tilt" stay arm timber, frame part, L = 248, 400-600, 18/9 mm., left	400-600	L	18	130	25	K3028-02-L03
"First tilt" stay arm timber, frame part, L = 248, 400-600, 18/9 mm., right	400-600	R	18	130	25	K3028-02-R03
"First tilt" stay arm timber, frame part, L = 319, 601-800, 18/9 mm., left	601-800	L	18	130	25	K3028-03-L03
"First tilt" stay arm timber, frame part, L = 319, 601-800, 18/9 mm., right	601-800	R	18	130	25	K3028-03-R03
"First tilt" stay arm timber, frame part, L = 449, 801-1040, 18/9 mm., left	801-1040	L	18	130	25	K3028-04-L03
"First tilt" stay arm timber, frame part, L = 449, 801-1040, 18/9 mm., right	801-1040	R	18	130	25	K3028-04-R03
"First tilt" stay arm timber, frame part, L = 539, 1041-1280, 18/9 mm., left	1041-1280	L	18	130	25	K3028-05-L03
"First tilt" stay arm timber, frame part, L = 539, 1041-1280, 18/9 mm., right	1041-1280	R	18	130	25	K3028-05-R03



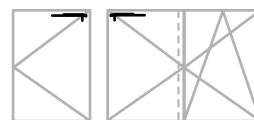
▶ Side hung sash hinge



- used for 18-20 mm sash overlap
- sash rebate gap min. 12 mm;
- for sashes with a hardware groove along the perimeter.

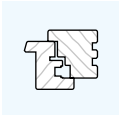
\* clamp adjustment, mm

\*\* horizontal adjustment, mm



Description	SRW (mm)					Part No.
Side hung sash hinge	280-1280	0	4	100	100	K5002-00-N03





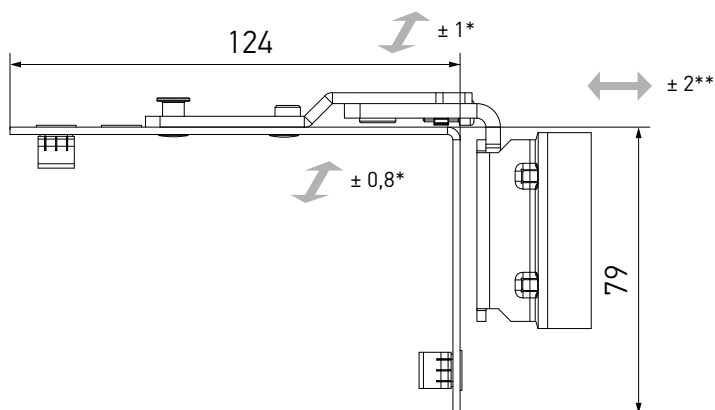
## Section 4 Stay arm

## Turn stay arm 9 profile system

**AXOR**™



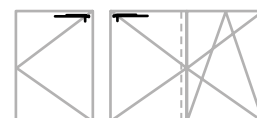
### ▶ Side hung sash hinge



- used for 18-20 mm sash overlap
- sash rebate gap min. 12 mm;
- for sashes with a hardware groove along the perimeter.

\* clamp adjustment, mm

\*\* horizontal adjustment, mm

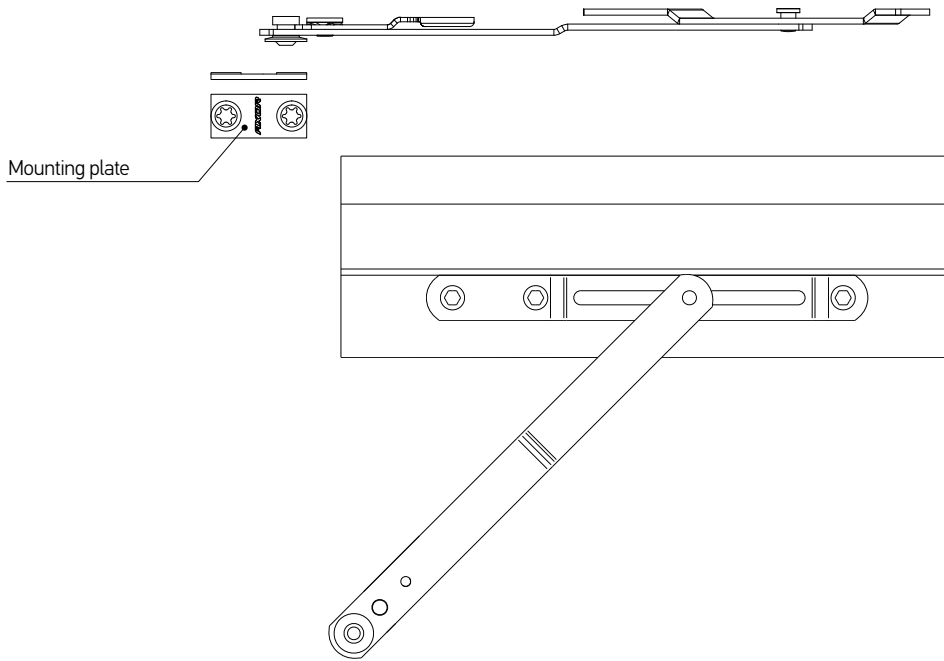


Description	SRW (mm)					Part No.
Side hung sash hinge 18 mm, timber, top, left	280-1280	0	3	100	100	K5010-09-L03
Side hung sash hinge 18 mm, timber, top, right	280-1280	0	3	100	100	K5010-09-R03
Side hung sash hinge 20 mm, timber, top, left	280-1280	0	3	100	100	K5011-09-L03
Side hung sash hinge 20 mm, timber, top, right	280-1280	0	3	100	100	K5011-09-R03



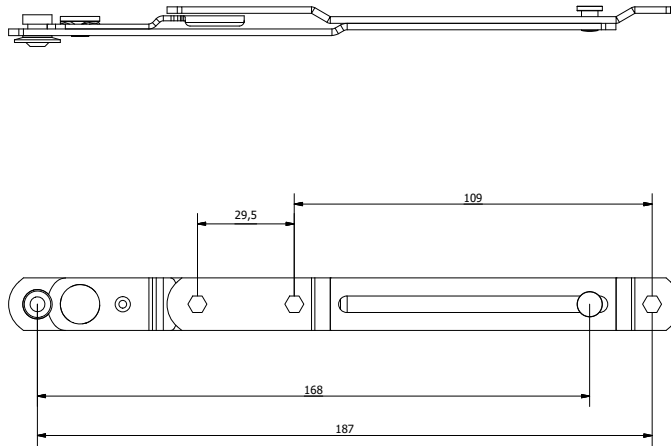
#### ▶ Tilt stay arm

General view and stay-arm position at a frame



Mounting plate

#### ▶ Installation information



Description	SRW (mm)					Part No.
Tilt stay arm	450-1710	0	3	45	100	A7017-00-N03
Adjustment plate for the tilt stay arm	—	—	—	—	—	A7039-00-N03

\* To install stay arm vertically

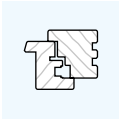


**AXOR**<sup>TM</sup>

# KOMFORT LINE K-3

Additional elements

**AXOR**

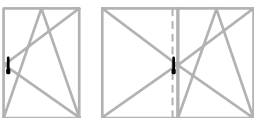
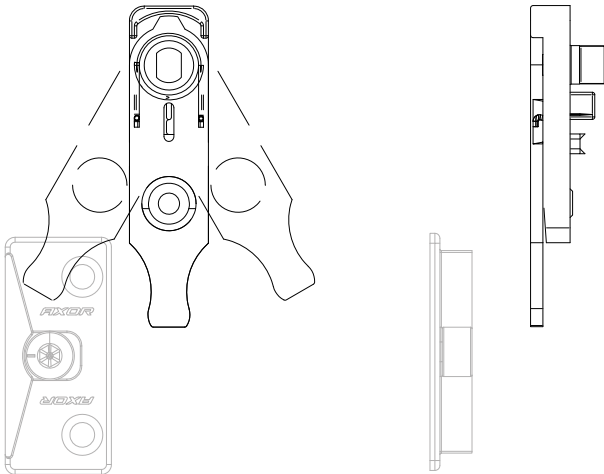


## Section 5 Additional elements

### Wrong operation safety device with sash lifter

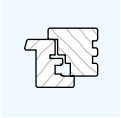
**AXOR**™

#### ▶ Wrong operation safety device with sash lifter

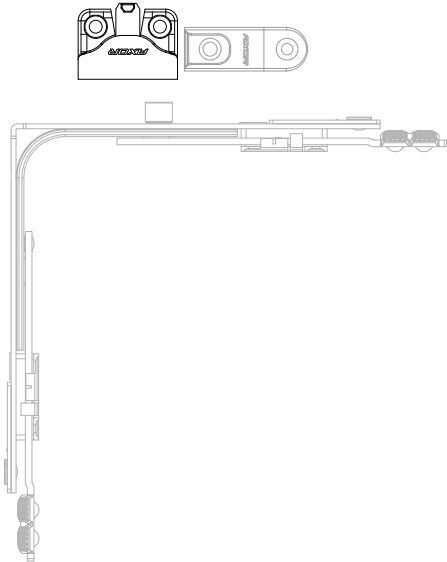


Description	A	C	B	kg			Part No.
Wrong operation safety device with sash lifter	—	—	—	—	1	100	A7001-00-N03
Lifting plate	look at the section "Profile-dependent elements"						
Lifting plate plate for double-sash window	12	20	09-13	—	2	250	A6001-00-N03

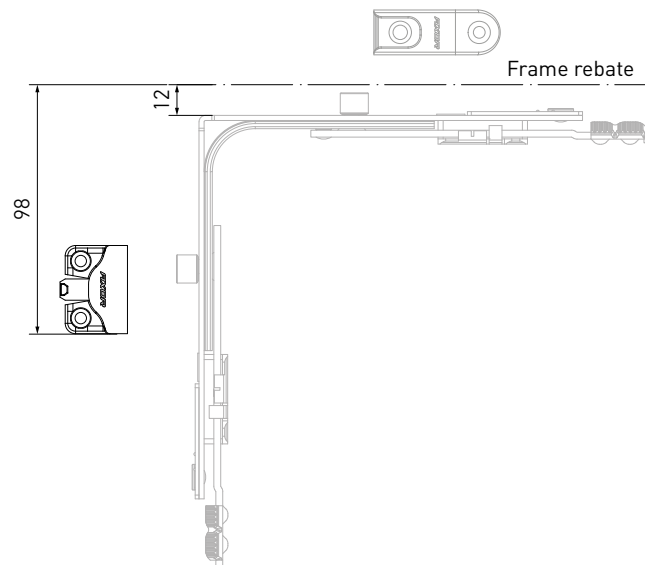
A - sash rebate gap / C - sash overlap / B - sash groove position



▶ Locking plate, integrated slit

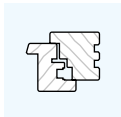


- use with standard and narrow corner transmissions;
- independent from type of opening (left or right);
- creates a 7-mm gap for ventilation;
- recommended for using with 8-position handle.



Description	A	C	B			Part No.
Locking plate, integrated slit, 18/8-9 mm	12	20	9	2	150	A6030-09-N03
Locking plate, integrated slit, 24/8-13 mm	12	20	13	2	150	A6035-13-N03
Locking plate, integrated slit, 30/20-13 mm	12	20	13	2	150	A6041-13-N03

For part numbers of other components look at the section "Profile-depending elements"  
A - sash rebate gap / C - sash overlap / B - sash groove position



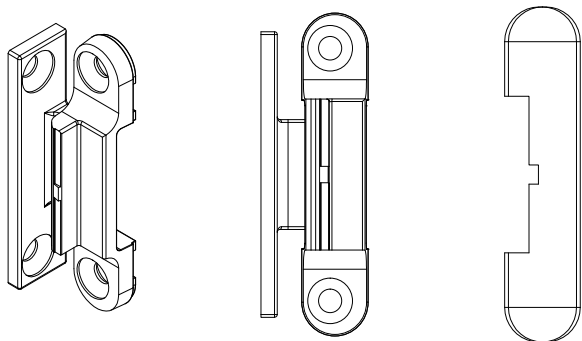
## Section 5 Additional elements



### Outward middle hinge

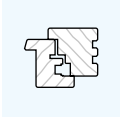
**AXOR**™



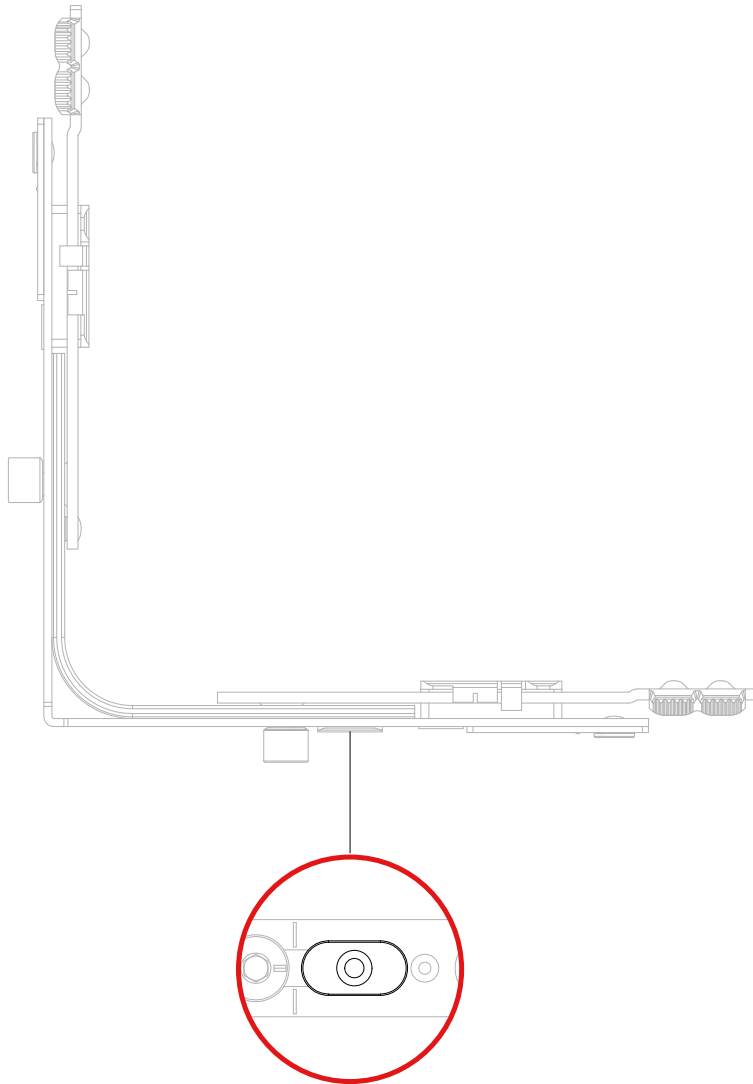
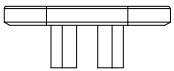
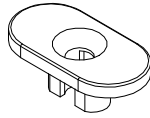
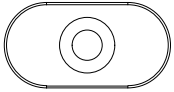
#### ▶ Outward middle hinge



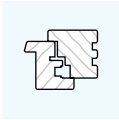
Description	SRH/SRW (mm)				Part No.
Outward middle hinge with cover (white)	1200-1800	1	4 / 4x25	100	A7045-00-N01
	1800-2400	2			
Outward middle hinge with cover (brown)	1200-1800	1	4 / 4x25	100	A7045-00-N02
	1800-2400	2			



▶ Stroke limiter 90°



Description		Part No.
Stroke limiter 90°	500	A7103-00-N03

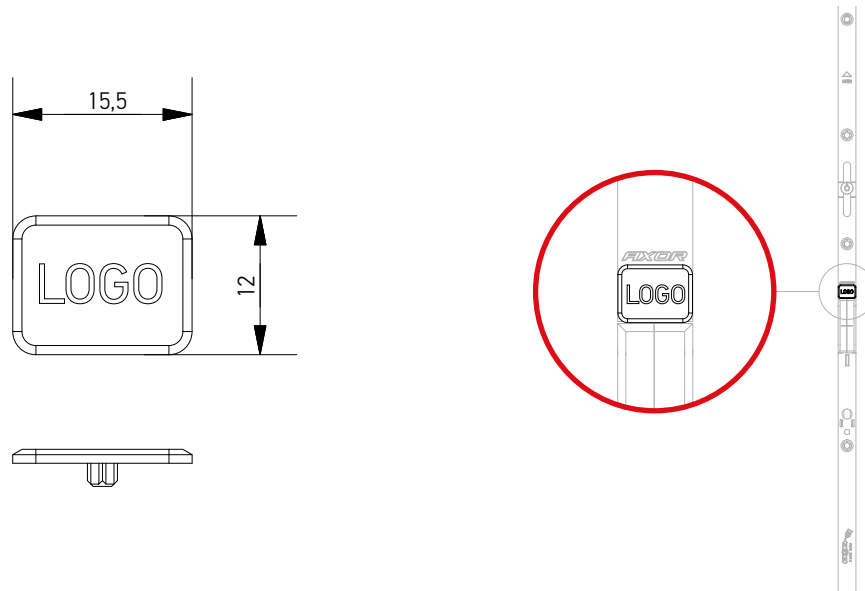


**Section 5**  
Additional  
elements

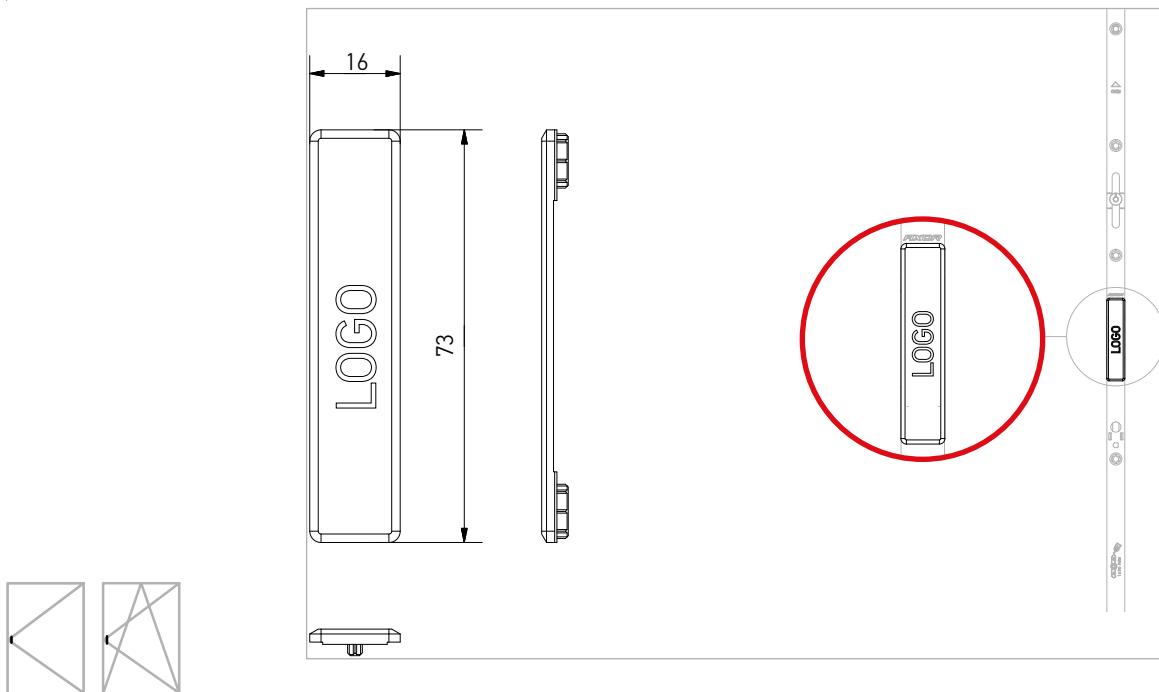
**Cover for gear with  
customer logo**



▶ **Cover for gear with customer logo, S**



▶ **Cover for gear with customer logo, M**

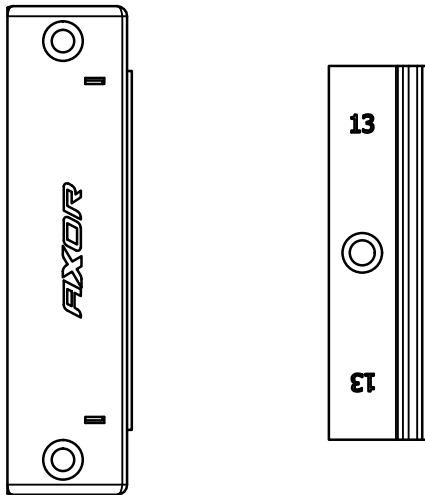


Description		Part No.
Cover for gear with customer logo, S	4000	A7060-00-N03
Cover for gear with customer logo, M	500	40001-00-N09

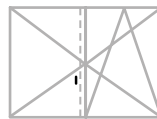
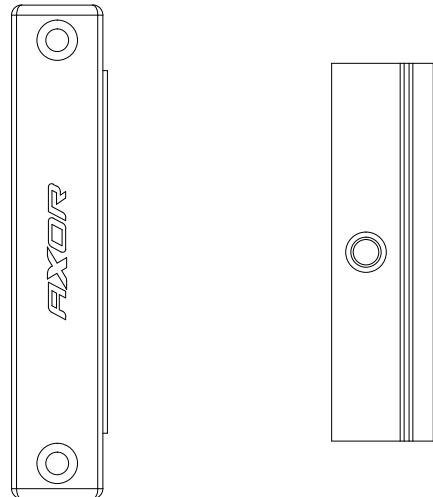




▶ Magnetic balcony catch



▶ Magnetic balcony catch for double sash gear



Description	Side opening	A	C	B			Part No.
Magnetic balcony catch, 18/8-9 mm, frame part	—	12	—	9	2 / 4x35	100	A7113-00-N03
Magnetic balcony catch, 24/8-13 mm, frame part	—	12	—	13	2 / 4x35	100	A7114-00-N03
Magnetic balcony catch, 30/20-13 mm, frame part	—	12	—	13	2 / 4x35	100	A7115-00-N03
Magnetic balcony catch, sash part, 9 system	L/R	12	—	9	1/4x30	100	A7116-09-N03
Magnetic balcony catch, sash part, 13 system	L/R	12	—	13	1/4x30	100	A7116-13-N03
Magnetic balcony catch for double sash gear, frame part	L/R	—	—	—	2 / 4x30	100	A7054-00-N03

A - sash rebate gap / C - sash overlap / B - sash groove position

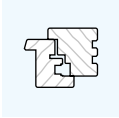


**AXOR**<sup>TM</sup>

# KOMFORT LINE K-3

Hardware set combinations

**AXOR**

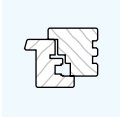


## Section 6

### Hardware set combinations

**AXOR**™

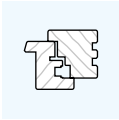
System K-3 hardware sets	Pages
Tilt and turn sets 9 and 13 systems	70-73
Tilt and turn sets "First Tilt" 9 and 13 systems	74-79
Advanced turn sets 9 and 13 systems	80-81
Turn sets 9 and 13 systems	82-85
Advanced tilt sets 9 and 13 systems	86-89
Tilt sets 9 and 13 systems	90-91
Double sash sets 9 and 13 system	92-99
Double sash sets "First Tilt" 9 and 13 system	100-107



▶ **System K-3. Tilt and turn set 9 system**



\* with the linear extension 240 mm



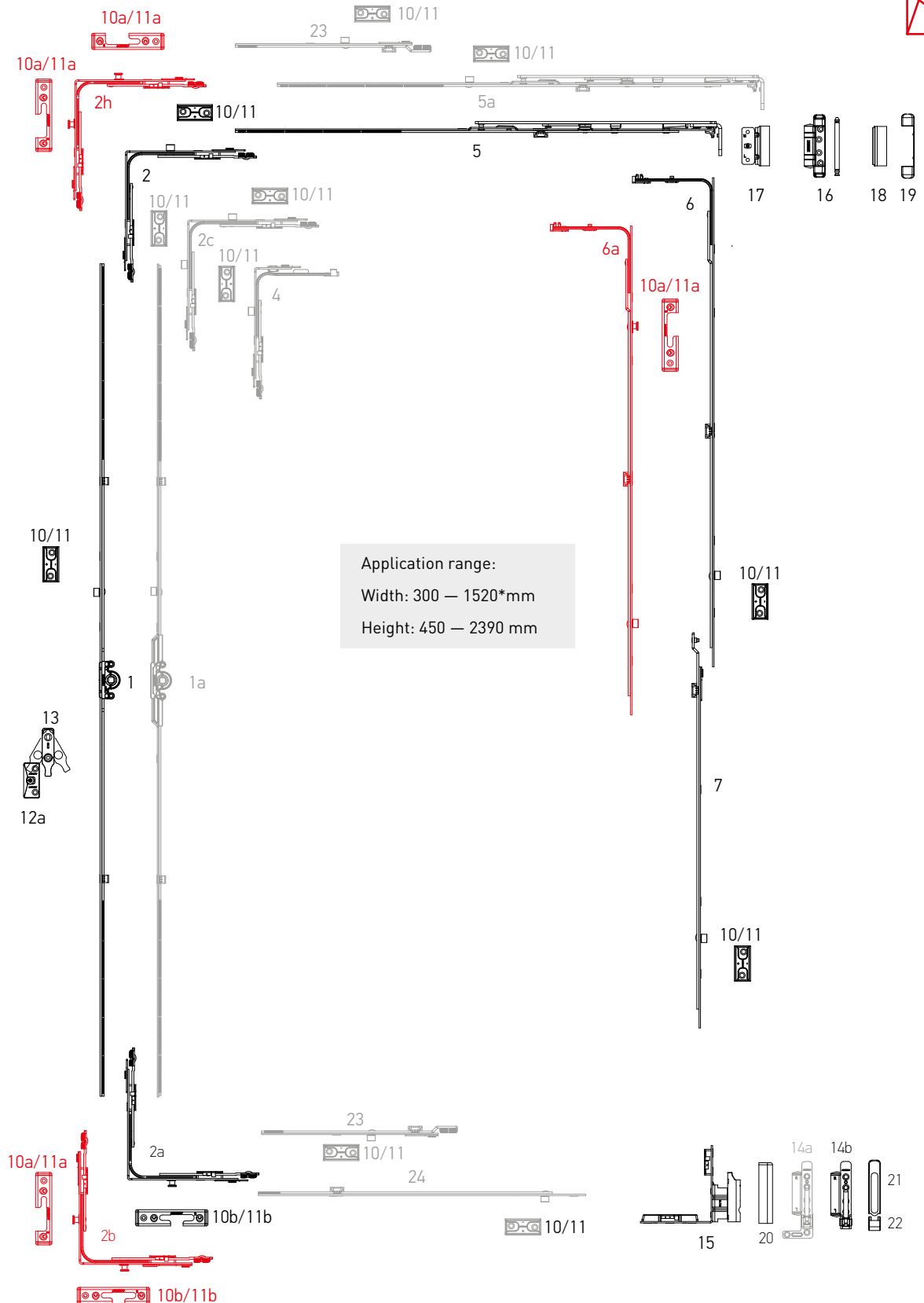
## Section 6

### Hardware set combinations

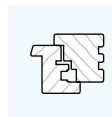
## Tilt and turn set

**AXOR**™

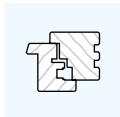
### ▶ System K-3. Tilt and turn set 13 system



\* with the linear extension 240 mm



Nº	Description	Application range by width	Application range by height	Part No.
1	Gear variable L=250, 450-550	—	450-550	K1001-02-N03
	Gear variable L=450, 551-750	—	551-750	K1001-04-N03
	Gear variable L=930, 751-1230, 1 ML	—	751-1230	K1001-09-N03
	Gear variable L=1130, 950-1430, 1 ML	—	950-1430	K1001-11-N03
	Gear variable L=1410, 1231-1710, 2 ML	—	1231-1710	K1001-14-N03
	Gear variable L=1610, 1431-1910, 2 ML	—	1431-1910	K1001-16-N03
	Gear variable L=2090, 1911-2390, 3 ML	—	1911-2390	K1001-21-N03
1a	Gear variable L=450, 551-750, backset 7,5 mm	—	551-750	K1011-04-N03
	Gear variable L=930, 751-1230, 1 ML, backset 7,5 mm	—	751-1230	K1011-09-N03
	Gear variable L=1130, 950-1430, 1 ML, backset 7,5 mm	—	950-1430	K1011-11-N03
	Gear variable L=1410, 1231-1710, 2 ML, backset 7,5 mm	—	1231-1710	K1011-14-N03
	Gear variable L=1610, 1431-1910, 2 ML, backset 7,5 mm	—	1431-1910	K1011-16-N03
	Gear variable L=2090, 1911-2390, 3 ML, backset 7,5 mm	—	1911-2390	K1011-21-N03
2	Corner transmission	400-1280	450-2390	K2001-00-N03
2a	Corner transmission for timber	400-1280	450-2390	K2008-00-N03
2b	Corner transmission 2 ML, Se	400-1280	450-2390	K2009-00-N03
2c	Corner transmission, 2 ML	400-1280	450-2390	K2002-00-N03
2h	Corner transmission, 2 ML	400-1280	450-2390	K2012-00-N03
4	Corner transmission S	300-400	450-2390	K2003-00-N03
		400-600	370-550*	
4a	Corner transmission S 1 ML, Se	300-400 400-600	450-2390 370-550*	K2006-00-N03
5	Stay arm L=450, 400-600	400-600	—	K3001-05-N03
	Stay arm L=650, 601-800	601-800	—	K3001-07-N03
	Stay arm L=890, 801-1040	801-1040	—	K3001-09-N03
	Stay arm L=1130, 1041-1280	1041-1280	—	K3001-11-N03
5a	Stay arm L=650, 601-800, 1 ML	601-800	—	K3001-57-N03
6	Middle lock L=400, 1 ML	600-1000	600-1000	K4001-04-N03
	Middle lock L=650, 1 ML	850-1250	850-1250	K4001-06-N03
	Middle lock L=720, 1 ML	920-1320	920-1320	K4001-07-N03
	Middle lock L=820, 1 ML	1251-1430	1251-1430	K4001-08-N03
	Middle lock L=1130, 2 ML	—	1251-1730	K4001-11-N03
6a	Middle lock L=400, 2 ML 1 Se	600-1000	600-1000	K4008-04-N03
	Middle lock L=650, 2 ML 1 Se	850-1250	850-1250	K4008-06-N03
	Middle lock L=820, 2 ML 1 Se	1251-1430	1251-1430	K4008-08-N03
	Middle lock L=1130, 3 ML 1 Se	—	1251-1730	K4008-11-N03
7	Middle lock extension 480 mm	—	1710-2210	K4005-05-N03
	Middle lock extension 680 mm	—	2211-2390	K4005-07-N03
8	Stay arm connecting plate L=485, 400-600	400-600	—	K3013-05-N03
	Stay arm connecting plate L=685, 601-800	601-800	—	K3013-07-N03
	Stay arm connecting plate L=925, 801-1040, 1 ml	801-1040	—	K3013-09-N03
	Stay arm connecting plate L=1165, 1041-1280, 1 ml	1041-1280	—	K3013-11-N03
8a	Stay arm timber L=248, 400-600, 20/09 mm, left/right	400-600	—	K3025-02-L/R03
	Stay arm timber L=248, 400-600, 18/09 mm, left/right			K3026-02-L/R03



## Section 6

### Hardware set combinations

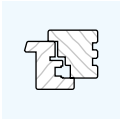
## Tilt and turn set

**AXOR**™

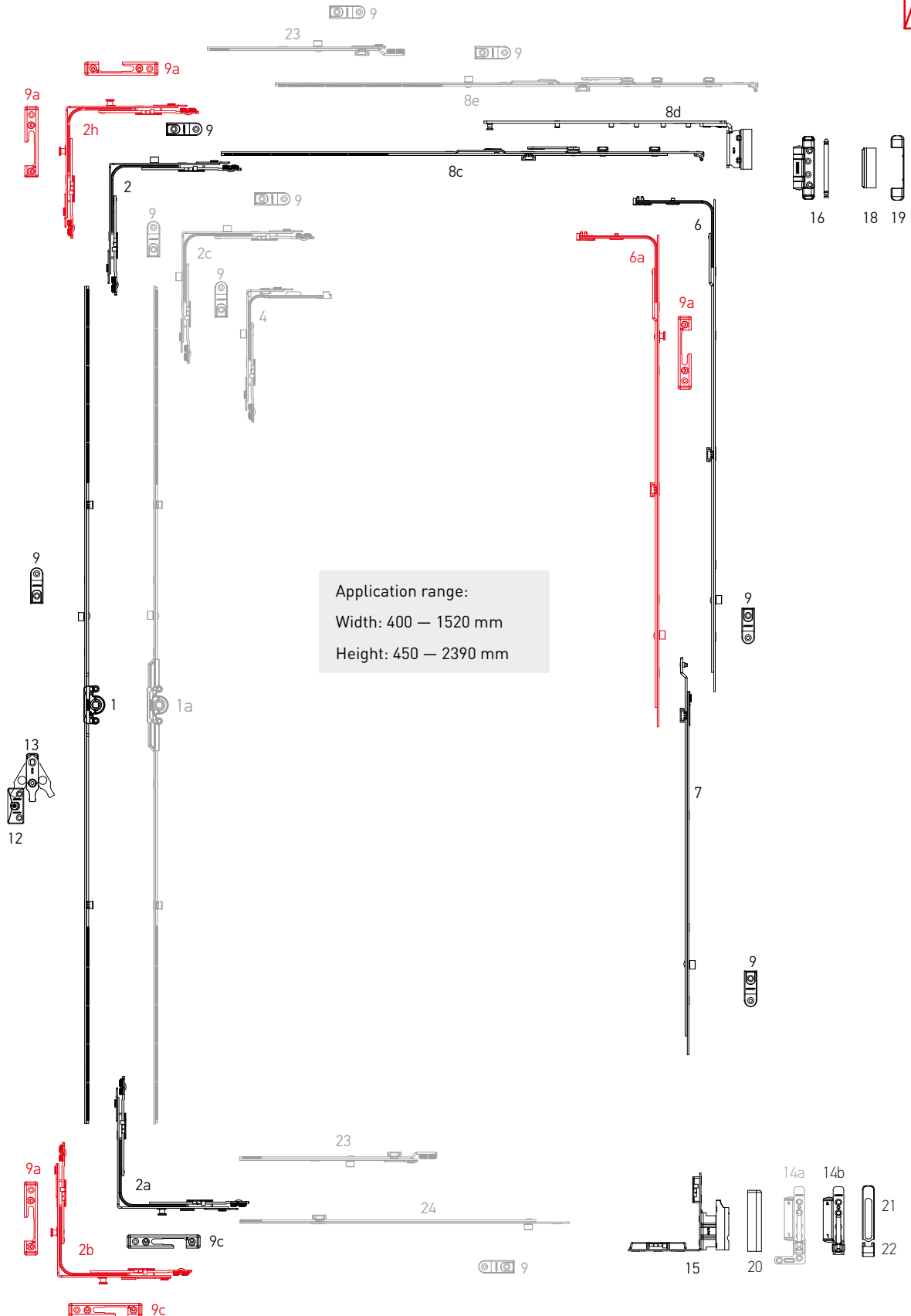
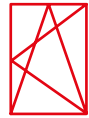
Nº	Description	Application range by width	Application range by height	Part No.
8a	Stay arm timber L=319, 601-800 20/09 mm, left/right	601-800	—	K3025-03-L/R03
	Stay arm timber L=319, 601-800 18/09 mm, left/right			K3026-03-L/R03
	Stay arm timber L=449, 801-1040 20/09 mm, left/right	801-1040	—	K3025-04-L/R03
	Stay arm timber L=449, 801-1040 18/09 mm, left/right			K3026-04-L/R03
	Stay arm timber L=539, 1041-1280 20/09 mm, left/right	1041-1280	—	K3025-05-L/R03
	Stay arm timber L=539, 1041-1280 18/09 mm, left/right			K3026-05-L/R03
8b	Stay arm connecting plate L=650, 601-800, 1 ml	601-800	—	K3013-57-N03
9	Standard locking plate timber 9 mm, 18/8	—	—	A7068-09-N03
9a	Locking plate Se timber 9 mm, 18/8, left/right	—	—	S6030-09-L/R03
9b	Tilt locking plate Se timber 9 mm, 18/8, left/right	—	—	S6032-09-L/R03
10	Standard locking plate timber 13 mm, 24/8	—	—	A7069-13-N03
10a	Locking plate se timber 13 mm, 24/8, left/right	—	—	S6031-13-L/R03
10b	Tilt locking plate Se timber 13 mm, 24/8, left/right	—	—	S6033-13-L/R03
11	Standard locking plate timber 13 mm, 30/20	—	—	A7087-13-N03
11a	Locking plate Se timber 13 mm, 30/20	—	—	S6049-13-L/R03
11b	Tilt locking plate Se timber 13 mm, 30/20	—	—	S6050-13-L/R03
12	Lifting plate 9 mm, 18/8	—	751-2390	A6036-09-N03
12a	Lifting plate 13 mm, 24/8	—	751-2390	A6037-13-N03
12b	Lifting plate 13 mm, 30/20	—	751-2390	A6038-13-N03
13	Wrong op. safety device with sash lifter	—	751-2390	A7001-00-N03
14a	Corner bearing for timber, 130 kg, 18 mm, left/right	—	—	A5021-18-L/R03
	Corner bearing for timber, 130 kg, 20 mm, left/right	—	—	A5021-20-L/R03
14b	Corner bearing for timber, 100 kg, 18 mm, left/right	—	—	A5013-18-L/R03
	Corner bearing for timber, 100 kg, 20 mm, left/right	—	—	A5013-20-L/R03
15	Rebate corner hinge, timber, 20/9, left/right	—	—	A5011-09-L/R03
	Rebate corner hinge, timber, 20/13, left/right	—	—	A5011-13-L/R03
	Rebate corner hinge, timber, 18/9, left/right	—	—	A5012-09-L/R03
	Rebate corner hinge, timber, 18/13, left/right	—	—	A5012-13-L/R03
16	Stay arm bearing for timber, 18 mm	—	—	A5014-18-N03
	Stay arm bearing for timber, 20 mm	—	—	A5014-20-N03
17	Top sash hinge timber, 18/13	—	—	K5008-13-N03
	Top sash hinge timber, 20/13	—	—	K5009-13-N03
18	Cover of top sash hinge	—	—	A7004-10-N**
19	Cover of stay arm bearing for timber	—	—	A7010-00-N**
20	Cover of rebate corner hinge, left/right	—	—	A7009-00-L/R**
21	Box, top cover of corner bearing	—	—	A7008-10-N**
22	Box, bottom cover of corner bearing	—	—	A7007-10-N**
23	Extension lock 240 mm	—	—	K4003-02-N03
	Extension lock 480 mm	—	—	K4003-05-N03
24	Corner transmissions extension lock 480 mm	—	—	K4010-00-N03

\* - dispalced from the center

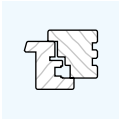
\*\* for decorative covers in other colors look at p. 19.



▶ System K-3. Tilt and turn set "First Tilt" 9 system







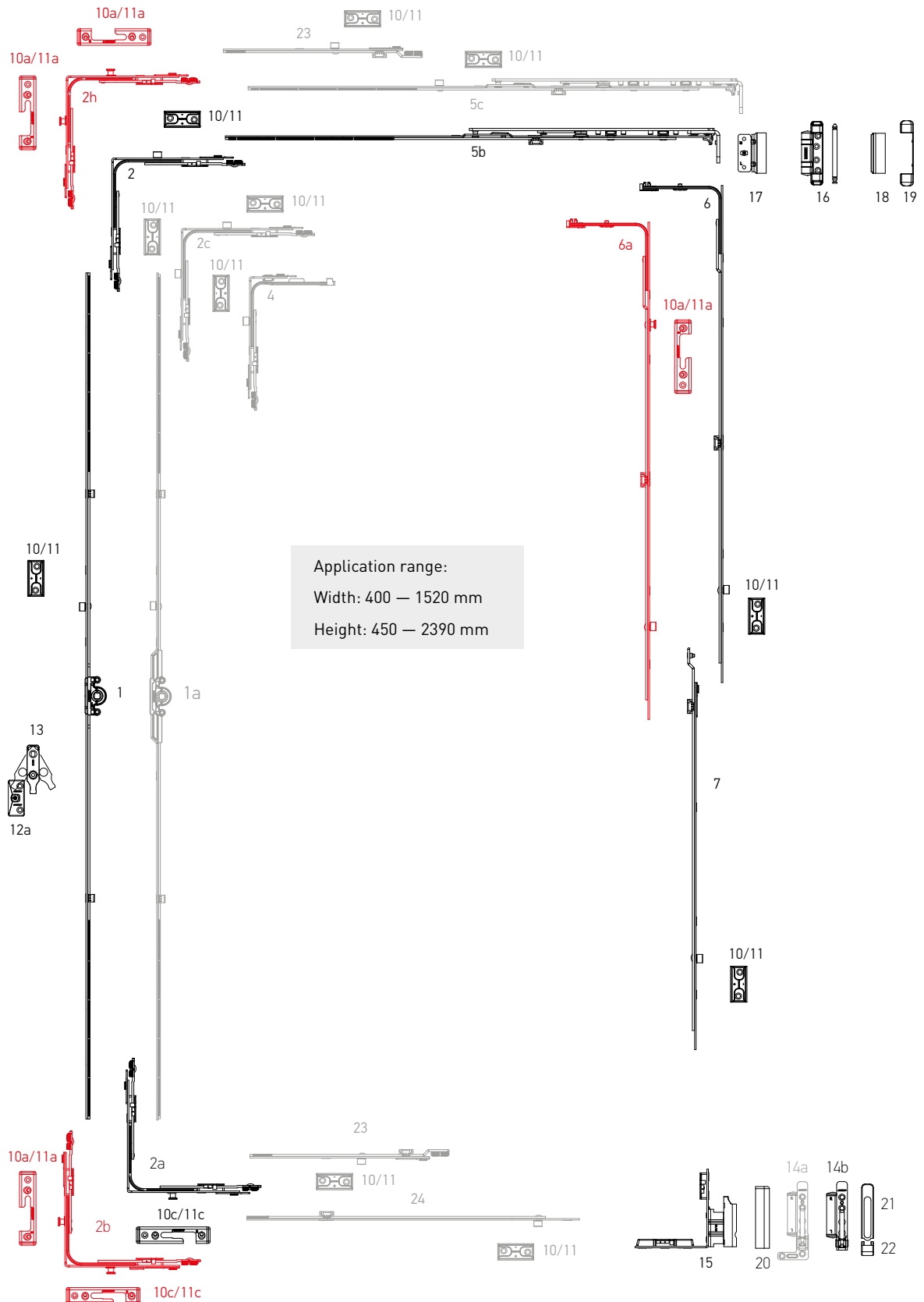
## Section 6

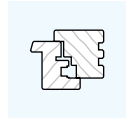
Hardware set combinations

## Tilt and turn set "First Tilt"

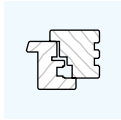
**AXOR**™

### ▶ System K-3. Tilt and turn set "First Tilt" 13 system





Nº	Description	Application range by width	Application range by height	Part No.
1	Gear variable L=250, 450-550	—	450-550	K1001-02-N03
	Gear variable L=450, 551-750	—	551-750	K1001-04-N03
	Gear variable L=930, 751-1230, 1 ML	—	751-1230	K1001-09-N03
	Gear variable L=1130, 950-1430, 1 ML	—	950-1430	K1001-11-N03
	Gear variable L=1410, 1231-1710, 2 ML	—	1231-1710	K1001-14-N03
	Gear variable L=1610, 1431-1910, 2 ML	—	1431-1910	K1001-16-N03
	Gear variable L=2090, 1911-2390, 3 ML	—	1911-2390	K1001-21-N03
1a	Gear variable L=450, 551-750, backset 7,5 mm	—	551-750	K1011-04-N03
	Gear variable L=930, 751-1230, 1 ML, backset 7,5 mm	—	751-1230	K1011-09-N03
	Gear variable L=1130, 950-1430, 1 ML, backset 7,5 mm	—	950-1430	K1011-11-N03
	Gear variable L=1410, 1231-1710, 2 ML, backset 7,5 mm	—	1231-1710	K1011-14-N03
	Gear variable L=1610, 1431-1910, 2 ML, backset 7,5 mm	—	1431-1910	K1011-16-N03
	Gear variable L=2090, 1911-2390, 3 ML, backset 7,5 mm	—	1911-2390	K1011-21-N03
2	Corner transmission	400-1280	450-2390	K2001-00-N03
2a	Corner transmission for timber	400-1280	450-2390	K2008-00-N03
2b	Corner transmission 2 ML, Se	400-1280	450-2390	K2009-00-N03
2c	Corner transmission 1 ML 1 Se	400-1280	450-2390	K2002-00-N03
2h	Corner transmission, 2 ML	400-1280	450-2390	K2012-00-N03
4	Corner transmission S	300-400	450-2390	K2003-00-N03
		400-600	370-550*	
4a	Corner transmission S 1 ML, Se	300-400 400-600	450-2390 370-550*	K2006-00-N03
5b	Stay arm, First Tilt L=450, 400-600	400-600	—	K3014-05-N03
	Stay arm, First Tilt L=650, 601-800	601-800	—	K3014-07-N03
	Stay arm, First Tilt L=890, 801-1040	801-1040	—	K3014-09-N03
	Stay arm, First Tilt L=1130, 1041-1280	1041-1280	—	K3014-11-N03
5c	Stay arm 2MV, First Tilt, L=650, 601-800, 1ML	601-800	—	K3014-57-N03
6	Middle lock L=400, 1 ML	600-1000	600-1000	K4001-04-N03
	Middle lock L=650, 1 ML	850-1250	850-1250	K4001-06-N03
	Middle lock L=720, 1 ML	920-1320	920-1320	K4001-07-N03
	Middle lock L=820, 1 ML	1251-1430	1251-1430	K4001-08-N03
	Middle lock L=1130, 2 ML	—	1251-1730	K4001-11-N03
6a	Middle lock L=400, 2 ML 1 Se	600-1000	600-1000	K4008-04-N03
	Middle lock L=650, 2 ML 1 Se	850-1250	850-1250	K4008-06-N03
	Middle lock L=820, 2 ML 1 Se	1251-1430	1251-1430	K4008-08-N03
	Middle lock L=1130, 3 ML 1 Se	—	1251-1730	K4008-11-N03
7	Middle lock extension 480 mm	—	1710-2210	K4005-05-N03
	Middle lock extension 680 mm	—	2211-2390	K4005-07-N03
8c	First Tilt stay arm L=450, 400-600	400-600	—	K3029-05-N03
	First Tilt stay arm L=650, 601-800	601-800	—	K3029-07-N03
	First Tilt stay arm L=890, 801-1040	801-1040	—	K3029-09-N03
	First Tilt stay arm L=1130, 1071-1280	1041-1280	—	K3029-11-N03
8d	First Tilt stay arm timber L=248, 400-600, 20/9 mm, left/right	400-600	—	K3027-02-L/R03
	First Tilt stay arm timber L=248, 400-600, 18/9 mm, left/right			K3028-02-L/R03



## Section 6

### Hardware set combinations

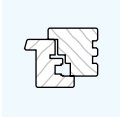
## Tilt and turn set "First Tilt"

**AXOR**™

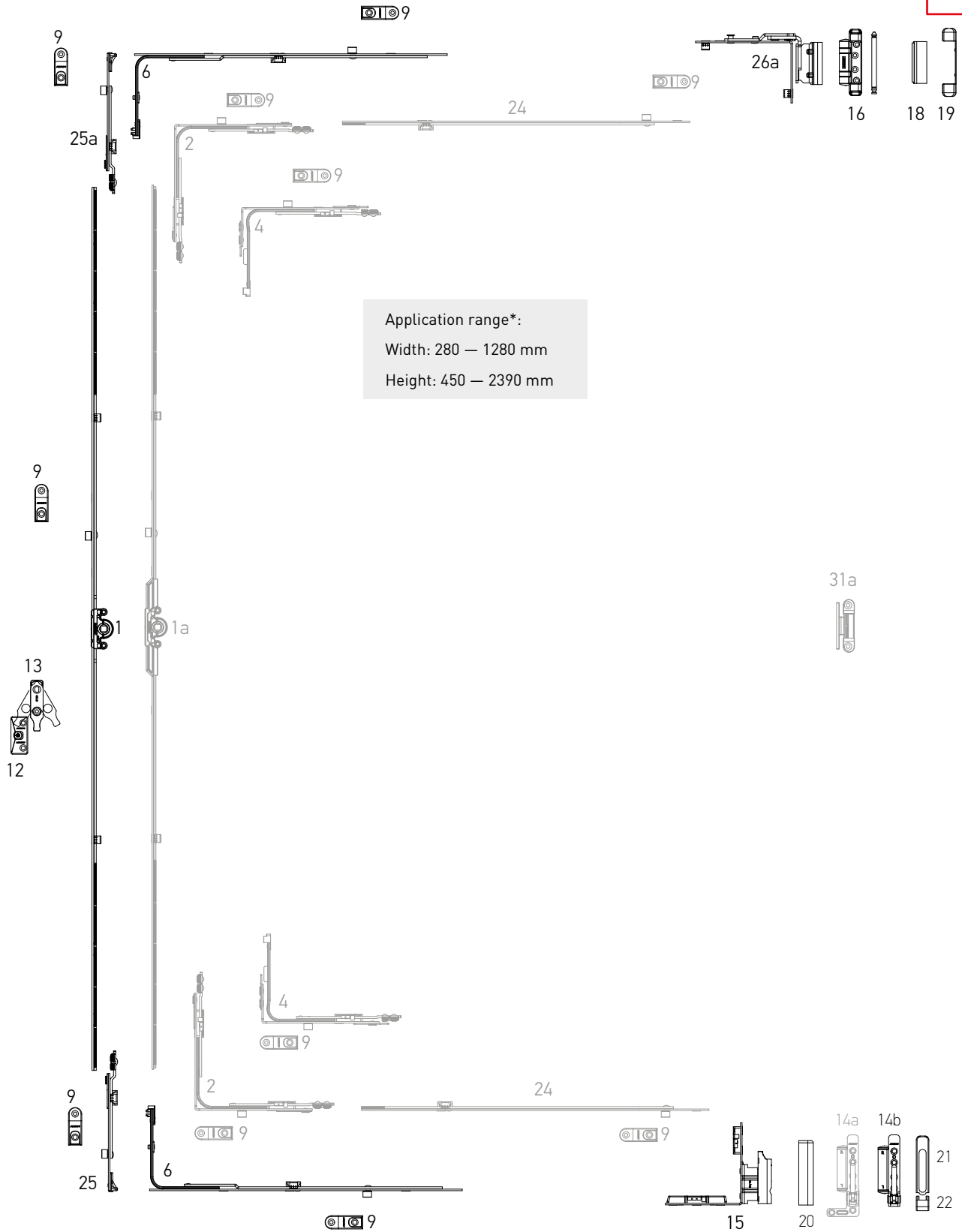
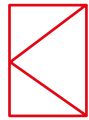
Nº	Description	Application range by width	Application range by height	Part No.
8d	First Tilt stay arm timber l = 319, 601-800, 20/9 mm, left/right	601-800	—	K3027-03-L/R03
	First Tilt stay arm timber l = 319, 601-800, 18/9 mm, left/right			K3028-03-L/R03
	First Tilt stay arm timber l = 449, 801-1040, 20/9 mm, left/right	801-1040	—	K3027-04-L/R03
	First Tilt stay arm timber l = 449, 801-1040, 18/9 mm, left/right			K3028-04-L/R03
	First Tilt stay arm timber l = 539, 1041-1280, 20/9 mm, left/right	1041-1280	—	K3027-05-L/R03
	First Tilt stay arm timber l = 539, 1041-1280, 18/9 mm, left/right			K3028-05-L/R03
8e	First Tilt stay arm L=650, 601-800, ml	601-800	—	K3029-57-N03
9	Standard locking plate timber 9 mm, 18/8	—	—	A7068-09-N03
9a	Locking plate Se timber 9 mm, 18/8, left/right	—	—	S6030-09-L/R03
9c	First Tilt locking plate Se timber 9 mm, 18/8, left/right	—	—	S6052-09-L/R03
10	Standard locking plate timber 13 mm, 24/8	—	—	A7069-13-N03
10a	Locking plate Se timber 13 mm, 24/8, left/right	—	—	S6031-13-L/R03
10c	First Tilt locking plate Se timber 13 mm, 24/8, left/right	—	—	S6053-13-L/R03
11	Standard locking plate timber 13 mm, 30/20	—	—	A7087-13-N03
11a	Locking plate Se timber 13 mm, 30/20	—	—	S6049-13-L/R03
11c	Tilt locking plate Se timber 13 mm, 30/20	—	—	S6051-13-L/R03
12	Lifting plate 9 mm, 18/8	—	751-2390	A6036-09-N03
12a	Lifting plate 13 mm, 24/8	—	751-2390	A6037-13-N03
12b	Lifting plate 13 mm, 30/20	—	751-2390	A6038-13-N03
13	Wrong op. safety device with sash lifter	—	751-2390	A7001-00-N03
14a	Corner bearing for timber, 130 kg, 18 mm, left/right	—	—	A5021-18-L/R03
	Corner bearing for timber, 130 kg, 20 mm, left/right	—	—	A5021-20-L/R03
14b	Corner bearing for timber, 100 kg, 18 mm, left/right	—	—	A5013-18-L/R03
	Corner bearing for timber, 100 kg, 20 mm, left/right	—	—	A5013-20-L/R03
15	Rebate corner hinge, timber, 20/9, left/right	—	—	A5011-09-L/R03
	Rebate corner hinge, timber, 20/13, left/right	—	—	A5011-13-L/R03
	Rebate corner hinge, timber, 18/9, left/right	—	—	A5012-09-L/R03
	Rebate corner hinge, timber, 18/13, left/right	—	—	A5012-13-L/R03
16	Stay arm bearing for timber, 18 mm	—	—	A5014-18-N03
	Stay arm bearing for timber, 20 mm	—	—	A5014-20-N03
17	Top sash hinge timber, 18/13	—	—	K5008-13-N03
	Top sash hinge timber, 20/13	—	—	K5009-13-N03
18	Cover of top sash hinge	—	—	A7004-10-N**
19	Cover of stay arm bearing for timber	—	—	A7010-00-N**
20	Cover of rebate corner hinge, left/right	—	—	A7009-00-L/R**
21	Box, top cover of corner bearing	—	—	A7008-10-N**
22	Box, bottom cover of corner bearing	—	—	A7007-10-N**
23	Extension lock 240 mm	—	—	K4003-02-N03
	Extension lock 480 mm	—	—	K4003-05-N03
24	Corner transmissions extension lock 480 mm	—	—	K4010-00-N03

\* - displaced from the center

\*\* for decorative covers in other colors look at p. 19.

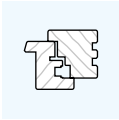


▶ **System K-3. Turn set 9 system**



Application range\*:  
Width: 280 — 1280 mm  
Height: 450 — 2390 mm

\* Use the shoot-bolt 34, 34a

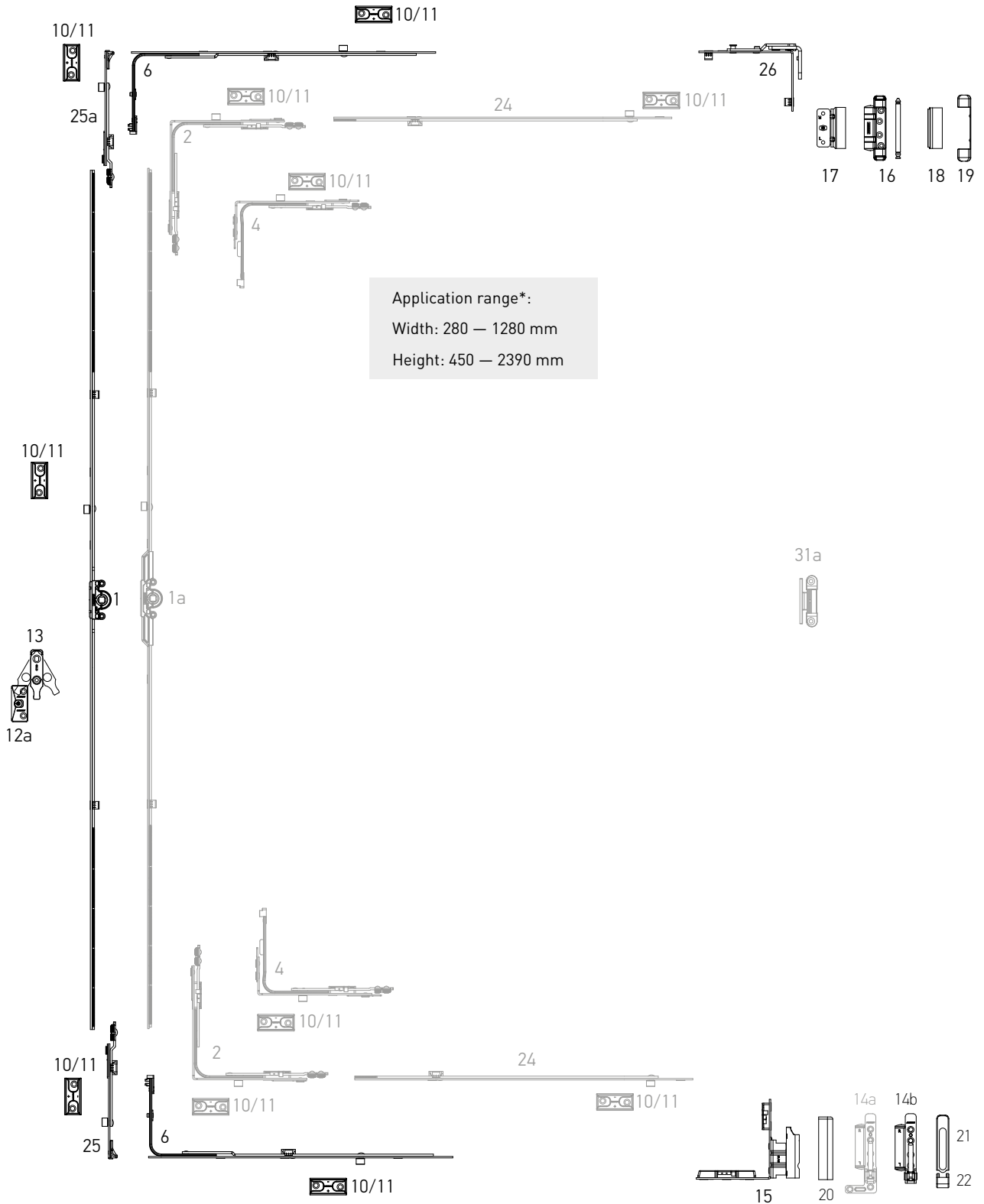
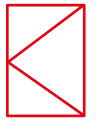


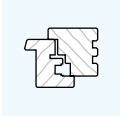
**Section 6**  
Hardware set  
combinations

**Turn set**

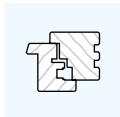


▶ **System K-3. Turn set 13 system**





Nº	Description	Application range by width	Application range by height	Part No.
1	Gear variable L=250, 450-550	—	450-550	K1001-02-N03
	Gear variable L=450, 551-750	—	551-750	K1001-04-N03
	Gear variable L=930, 751-1230, 1 ML	—	751-1230	K1001-09-N03
	Gear variable L=1130, 950-1430, 1 ML	—	950-1430	K1001-11-N03
	Gear variable L=1410, 1231-1710, 2 ML	—	1231-1710	K1001-14-N03
	Gear variable L=1610, 1431-1910, 2 ML	—	1431-1910	K1001-16-N03
	Gear variable L=2090, 1911-2390, 3 ML	—	1911-2390	K1001-21-N03
1a	Gear variable L=450, 551-750, backset 7,5 mm	—	551-750	K1011-04-N03
	Gear variable L=930, 751-1230, 1 ML, backset 7,5 mm	—	751-1230	K1011-09-N03
	Gear variable L=1130, 950-1430, 1 ML, backset 7,5 mm	—	950-1430	K1011-11-N03
	Gear variable L=1410, 1231-1710, 2 ML, backset 7,5 mm	—	1231-1710	K1011-14-N03
	Gear variable L=1610, 1431-1910, 2 ML, backset 7,5 mm	—	1431-1910	K1011-16-N03
	Gear variable L=2090, 1911-2390, 3 ML, backset 7,5 mm	—	1911-2390	K1011-21-N03
2	Corner transmission	400-1280	450-2390	K2001-00-N03
4	Corner transmission S	300-400	450-2390	K2003-00-N03
		400-600	370-550*	
4a	Corner transmission S 1 ML, Se	300-400	450-2390	K2006-00-N03
		400-600	370-550*	
6	Middle lock L=400, 1 ML	600-1000	600-1000	K4001-04-N03
	Middle lock L=650, 1 ML	850-1250	850-1250	K4001-06-N03
	Middle lock L=720, 1 ML	920-1320	920-1320	K4001-07-N03
	Middle lock L=820, 1 ML	1251-1430	1251-1430	K4001-08-N03
	Middle lock L=1130, 2 ML	—	1251-1730	K4001-11-N03
6a	Middle lock L=400, 2 ML 1 Se	600-1000	600-1000	K4008-04-N03
	Middle lock L=650, 2 ML 1 Se	850-1250	850-1250	K4008-06-N03
	Middle lock L=820, 2 ML 1 Se	1251-1430	1251-1430	K4008-08-N03
	Middle lock L=1130, 3 ML 1 Se	—	1251-1730	K4008-11-N03
9	Standard locking plate timber 9 mm, 18/8	—	—	A7068-09-N03
9a	Locking plate Se timber 9 mm, 18/8, left/right	—	—	S6030-09-L/R03
10	Standard locking plate timber 13 mm, 24/8	—	—	A7069-13-N03
10a	Locking plate Se timber 13 mm, 24/8, left/right	—	—	S6031-13-L/R03
11	Standard locking plate timber 13 mm, 30/20	—	—	A7087-13-N03
11a	Locking plate Se timber 13 mm, 30/20	—	—	S6049-13-L/R03
12	Lifting plate 9 mm, 18/8	—	751-2390	A6036-09-N03
12a	Lifting plate 13 mm, 24/8	—	751-2390	A6037-13-N03
12b	Lifting plate 13 mm, 30/20	—	751-2390	A6038-13-N03
13	Wrong op. safety device with sash lifter	—	751-2390	A7001-00-N03



## Section 6

### Hardware set combinations

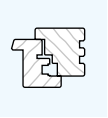
## Turn set



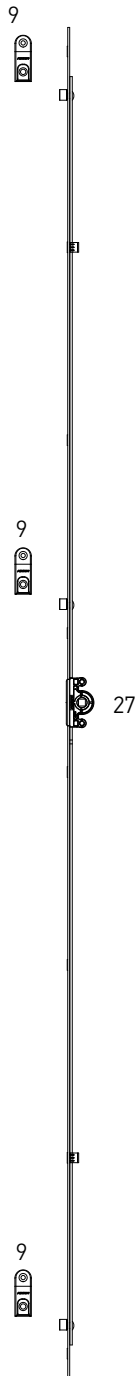
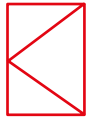
Nº	Description	Application range by width	Application range by height	Part No.
14a	Corner bearing for timber, 130 kg, 18 mm, left/right	—	—	A5021-18-L/R03
	Corner bearing for timber, 130 kg, 20 mm, left/right	—	—	A5021-20-L/R03
14b	Corner bearing for timber, 100 kg, 18 mm, left/right	—	—	A5013-18-L/R03
	Corner bearing for timber, 100 kg, 20 mm, left/right	—	—	A5013-20-L/R03
15	Rebate corner hinge, timber, 20/9, left/right	—	—	A5011-09-L/R03
	Rebate corner hinge, timber, 20/13, left/right	—	—	A5011-13-L/R03
	Rebate corner hinge, timber, 18/9, left/right	—	—	A5012-09-L/R03
	Rebate corner hinge, timber, 18/13, left/right	—	—	A5012-13-L/R03
16	Stay arm bearing for timber, 18 mm	—	—	A5014-18-N03
	Stay arm bearing for timber, 20 mm	—	—	A5014-20-N03
17	Top sash hinge timber, 18/13	—	—	K5008-13-N03
	Top sash hinge timber, 20/13	—	—	K5009-13-N03
18	Cover of top sash hinge	—	—	A7004-10-N**
19	Cover of stay arm bearing for timber	—	—	A7010-00-N**
20	Cover of rebate corner hinge, left/right	—	—	A7009-00-L/R**
21	Box, top cover of corner bearing	—	—	A7008-10-N**
22	Box, bottom cover of corner bearing	—	—	A7007-10-N**
24	Corner transmissions extension lock 480 mm	—	—	K4010-00-N03
25	Bottom extension for turn sash 90*	—	—	K4007-00-N03
25a	Top extension for turn sash 180*	—	—	K4011-00-N03
26	Side hung sash hinge	—	—	K5002-00-N03
26a	Side hung sash hinge 18 mm, timber, top, left	—	—	K5010-09-L03
	Side hung sash hinge 18 mm, timber, top, right			K5010-09-R03
	Side hung sash hinge 20 mm, timber, top, left			K5011-09-L03
	Side hung sash hinge 20 mm, timber, top, right			K5011-09-R03
28a	Middle hinge timber, 12/18-9	—	—	A7091-09-N03
	Middle hinge timber, 12/18-13			A7091-13-N03
	Middle hinge timber, 12/20-9			A7092-09-N03
	Middle hinge timber, 12/20-13			A7092-13-N03
31a	Middle hinge with cover (white)	—	—	A7045-00-N01

\* - dispalced from the center

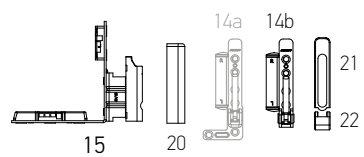
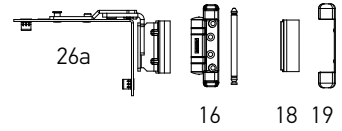
\*\* for decorative covers in other colors look at p. 19.



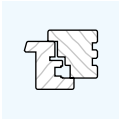
▶ **System K-3. Turn set 9 system**



Application range:  
Width: 280 — 700 mm  
Height: 300 — 2400 mm







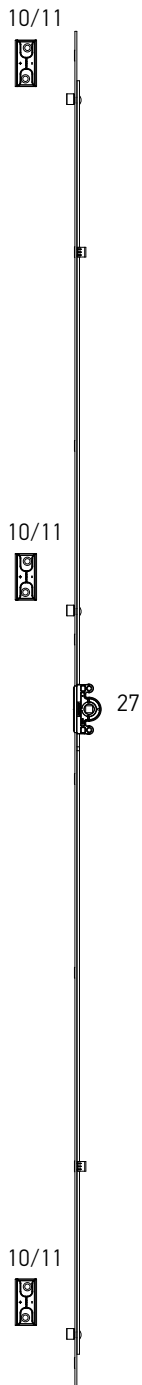
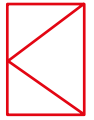
## Section 6

Hardware set combinations

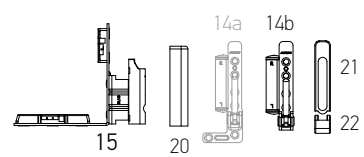
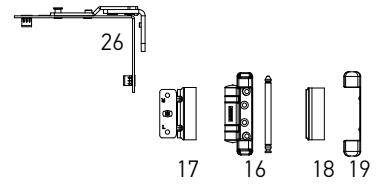
Turn set

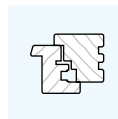
**AXOR**™

▶ System K-3. Turn set 13 system



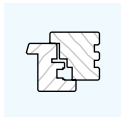
Application range:  
Width: 280 — 700 mm  
Height: 300 — 2400 mm





Nº	Description	Application range by width	Application range by height	Part No.
9	Standard locking plate timber 9 mm, 18/8	—	—	A7068-09-N03
10	Standard locking plate timber 13 mm, 24/8	—	—	A7069-13-N03
11	Standard locking plate timber 13 mm, 30/20	—	—	A7087-13-N03
14a	Corner bearing for timber, 130 kg, 18 mm, left/right	—	—	A5021-18-L/R03
	Corner bearing for timber, 130 kg, 20 mm, left/right	—	—	A5021-20-L/R03
14b	Corner bearing for timber, 100 kg, 18 mm, left/right	—	—	A5013-18-L/R03
	Corner bearing for timber, 100 kg, 20 mm, left/right	—	—	A5013-20-L/R03
15	Rebate corner hinge, timber, 20/9, left/right	—	—	A5011-09-L/R03
	Rebate corner hinge, timber, 20/13, left/right	—	—	A5011-13-L/R03
	Rebate corner hinge, timber, 18/9, left/right	—	—	A5012-09-L/R03
	Rebate corner hinge, timber, 18/13, left/right	—	—	A5012-13-L/R03
16	Stay arm bearing for timber, 18 mm	—	—	A5014-18-N03
	Stay arm bearing for timber, 20 mm	—	—	A5014-20-N03
17	Top sash hinge timber, 18/13	—	—	K5008-13-N03
	Top sash hinge timber, 20/13	—	—	K5009-13-N03
18	Cover of top sash hinge	—	—	A7004-10-N*
19	Cover of stay arm bearing for timber	—	—	A7010-00-N*
20	Cover of rebate corner hinge, left/right	—	—	A7009-00-L/R*
21	Box, top cover of corner bearing	—	—	A7008-10-N*
22	Box, bottom cover of corner bearing	—	—	A7007-10-N*

\* for decorative covers in other colors look at p. 19.



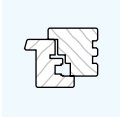
## Section 6

### Hardware set combinations

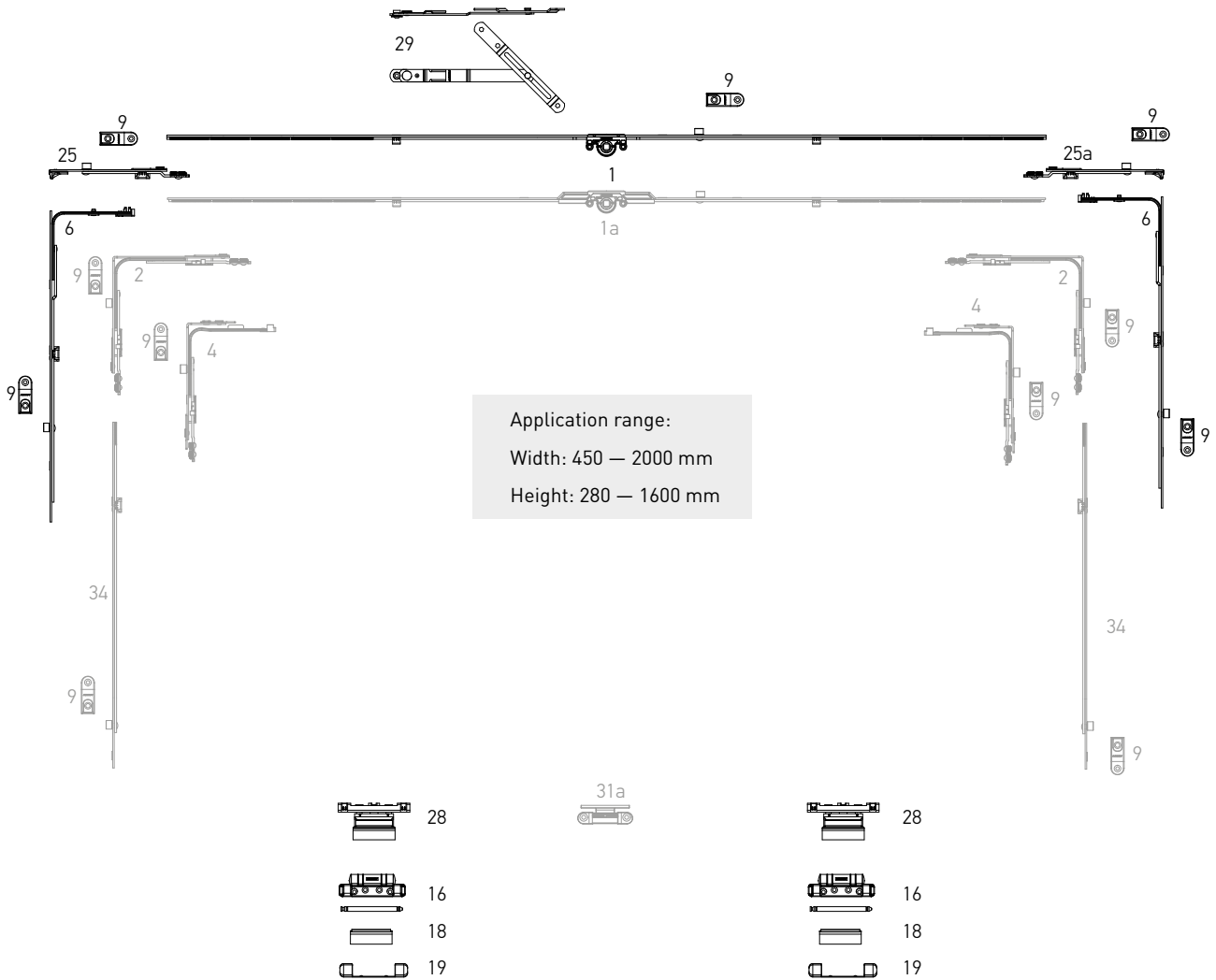
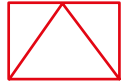
## Turn set

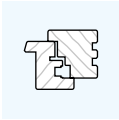


Nº	Description	Application range by width	Application range by height	Part No.
26	Side hung sash hinge	—	—	K5002-00-N03
26a	Side hung sash hinge 18 mm, timber, top, left	—	—	K5010-09-L03
	Side hung sash hinge 18 mm, timber, top, right			K5010-09-R03
	Side hung sash hinge 20 mm, timber, top, left			K5011-09-L03
	Side hung sash hinge 20 mm, timber, top, right			K5011-09-R03
27	Turn sash gear 280 - 400, L=280	—	300-500	K1003-03-N03
	Turn sash gear 401 - 600, L=400	—	401-600	K1003-04-N03
	Turn sash gear 601 - 800, L=600	—	601-800	K1003-06-N03
	Turn sash gear 801 - 1000, L=800	—	801-1000	K1003-08-N03
	Turn sash gear 1001 - 1200, L=1000	—	1001-1200	K1003-10-N03
	Turn sash gear 1201 - 1400, L=1200	—	1201-1400	K1003-12-N03
	Turn sash gear 1401 - 1600, L=1400	—	1401-1600	K1003-14-N03
	Turn sash gear 1601 - 1800, L=1600	—	1601-1800	K1003-16-N03
	Turn sash gear 1801 - 2000, L=1800	—	1801-2000	K1003-18-N03
	Turn sash gear 2001 - 2200, L=2000	—	2001-2200	K1003-20-N03
	Turn sash gear 2201 - 2400, L=2200	—	2201-2400	K1003-22-N03
28a	Middle hinge timber, 12/18-9	—	—	A7091-09-N03
	Middle hinge timber, 12/18-13			A7091-13-N03
	Middle hinge timber, 12/20-9			A7092-09-N03
	Middle hinge timber, 12/20-13			A7092-13-N03
31a	Middle hinge with cover (white)	—	—	A7045-00-N01



▶ **System K-3. Tilt set 9 system**





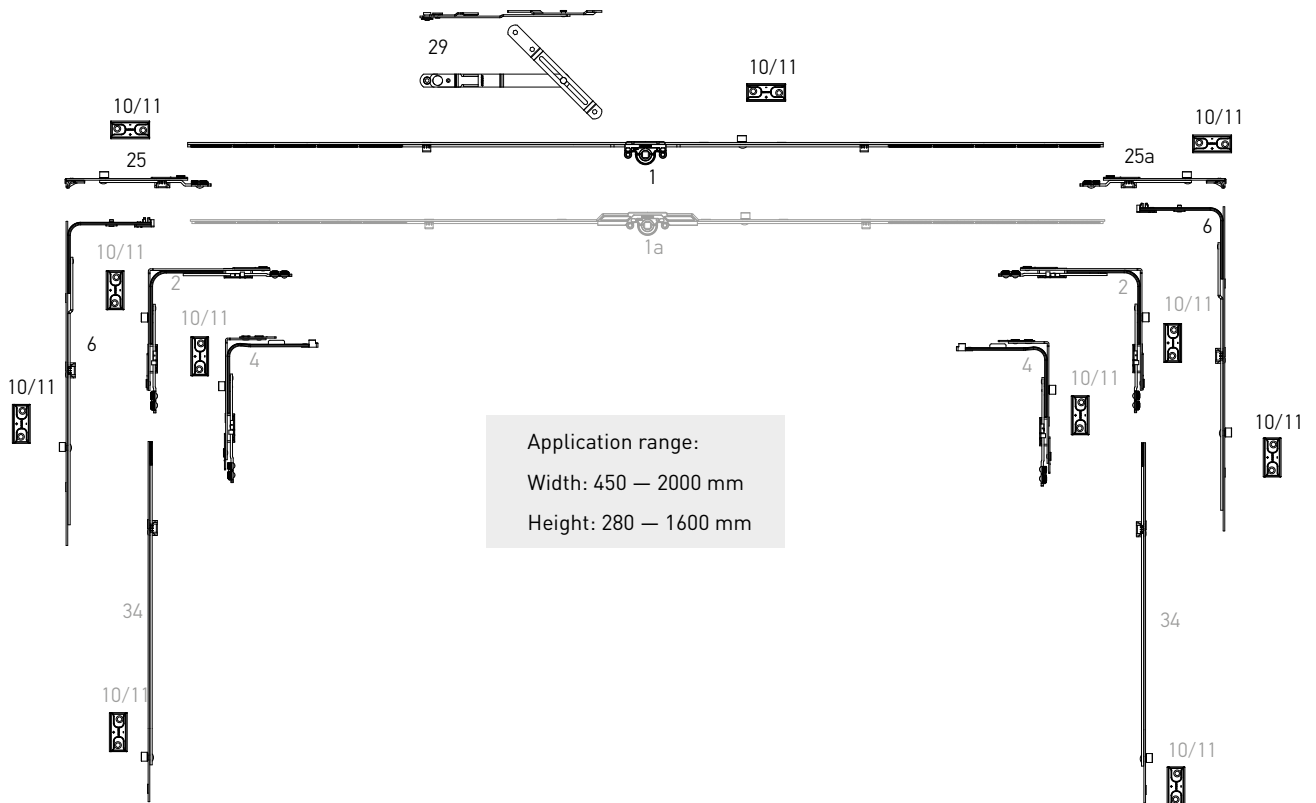
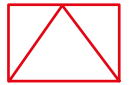
## Section 6

### Hardware set combinations

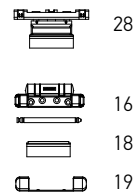
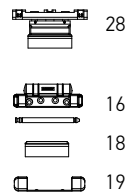
Tilt set

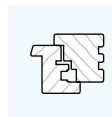
**AXOR**™

▶ System K-3. Tilt set 13 system

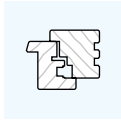


Application range:  
Width: 450 — 2000 mm  
Height: 280 — 1600 mm





Nº	Description	Application range by width	Application range by height	Part No.
1	Gear variable L=250, 450-550	—	450-550	K1001-02-N03
	Gear variable L=450, 551-750	—	551-750	K1001-04-N03
	Gear variable L=930, 751-1230, 1 ML	—	751-1230	K1001-09-N03
	Gear variable L=1130, 950-1430, 1 ML	—	950-1430	K1001-11-N03
	Gear variable L=1410, 1231-1710, 2 ML	—	1231-1710	K1001-14-N03
	Gear variable L=1610, 1431-1910, 2 ML	—	1431-1910	K1001-16-N03
	Gear variable L=2090, 1911-2390, 3 ML	—	1911-2390	K1001-21-N03
1a	Gear variable L=450, 551-750, backset 7,5 mm	—	551-750	K1011-04-N03
	Gear variable L=930, 751-1230, 1 ML, backset 7,5 mm	—	751-1230	K1011-09-N03
	Gear variable L=1130, 950-1430, 1 ML, backset 7,5 mm	—	950-1430	K1011-11-N03
	Gear variable L=1410, 1231-1710, 2 ML, backset 7,5 mm	—	1231-1710	K1011-14-N03
	Gear variable L=1610, 1431-1910, 2 ML, backset 7,5 mm	—	1431-1910	K1011-16-N03
	Gear variable L=2090, 1911-2390, 3 ML, backset 7,5 mm	—	1911-2390	K1011-21-N03
2	Corner transmission	330-1280	450-2390	K2001-00-N03
<b>2b</b>	<b>Corner transmission 1 ML 1 Se</b>	<b>400-1280</b>	<b>450-2390</b>	<b>K2005-00-N03</b>
4	Corner transmission S	280-1280	450-2390	K2003-00-N03
		330-520	290-350	
4a	Narrow corner transmission Se 50x150	300-400	450-2390	K2006-00-N03
6	Middle lock L=400, 1 ML	—	600-1000	K4001-04-N03
	Middle lock L=650, 1 ML	—	850-1250	K4001-06-N03
	Middle lock L=720, 1 ML	920-1320	920-1320	K4001-07-N03
	Middle lock L=820, 1 ML	—	1251-1430	K4001-08-N03
	Middle lock L=1130, 2 ML	—	1251-1730	K4001-11-N03
<b>6a</b>	<b>Middle lock L=400, 2 ML 1 Se</b>	<b>600-1000</b>	<b>600-1000</b>	<b>K4008-04-N03</b>
	<b>Middle lock L=650, 2 ML 1 Se</b>	<b>850-1250</b>	<b>850-1250</b>	<b>K4008-06-N03</b>
	<b>Middle lock L=820, 2 ML 1 Se</b>	<b>1251-1430</b>	<b>1251-1430</b>	<b>K4008-08-N03</b>
	<b>Middle lock L=1130, 3 ML 1 Se</b>	<b>—</b>	<b>1251-1730</b>	<b>K4008-11-N03</b>
9	Standard locking plate timber 9 mm, 18/8	—	—	A7068-09-N03
<b>9a</b>	<b>Locking plate Se timber 9 mm, 18/8, left/right</b>	<b>—</b>	<b>—</b>	<b>S6030-09-L/R03</b>
10	Standard locking plate timber 13 mm, 24/8	—	—	A7069-13-N03
<b>10a</b>	<b>Locking plate Se timber 13 mm, 24/8, left/right</b>	<b>—</b>	<b>—</b>	<b>S6031-13-L/R03</b>
11	Standard locking plate timber 13 mm, 30/20	—	—	A7087-13-N03
<b>11a</b>	<b>Locking plate Se timber 13 mm, 30/20</b>	<b>—</b>	<b>—</b>	<b>S6049-13-L/R03</b>
16	Stay arm bearing for timber, 18 mm	—	—	A5014-18-N03
	Stay arm bearing for timber, 20 mm	—	—	A5014-20-N03
18	Cover of stay arm bearing	—	—	A7005-10-N*
19	Cover of stay arm bearing for timber	—	—	A7010-00-N*



## Section 6

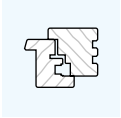
### Hardware set combinations

Tilt set

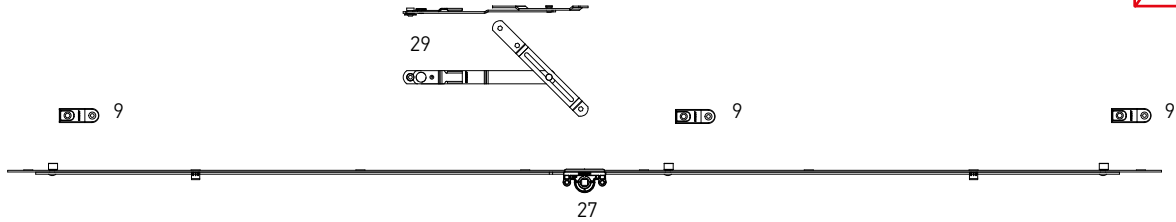
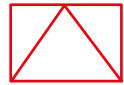
**AXOR**™

Nº	Description	Application range by width	Application range by height	Part No.
24	Corner transmissions extension lock 480 mm	—	—	K4010-00-N03
25	Bottom extension for turn sash 90*	—	—	K4007-00-N03
25a	Top extension for turn sash 180*	—	—	K4011-00-N03
26a	Side hung sash hinge 18 mm, timber, top, left	—	—	K5010-09-L03
	Side hung sash hinge 18 mm, timber, top, right			K5010-09-R03
	Side hung sash hinge 20 mm, timber, top, left			K5011-09-L03
	Side hung sash hinge 20 mm, timber, top, right			K5011-09-R03
28	Tilt window hinge, 12/18-9	—	—	A7089-09-N03
	Tilt window hinge, 12/18-13			A7089-13-N03
	Tilt window hinge, 12/20-9			A7090-09-N03
	Tilt window hinge, 12/20-13			A7090-13-N03
28a	Middle hinge timber, 12/18-9	—	—	A7091-09-N03
	Middle hinge timber, 12/18-13			A7091-13-N03
	Middle hinge timber, 12/20-9			A7092-09-N03
	Middle hinge timber, 12/20-13			A7092-13-N03
29	Tilt stay arm (fixing on gear)	—	—	A7017-00-N03
31a	Middle hinge with cover (white)	—	—	A7045-00-N01

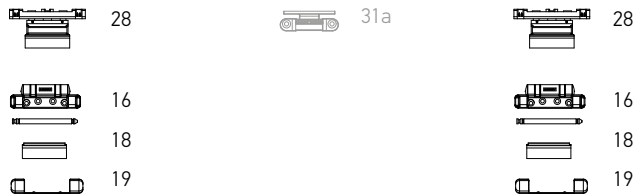
\* for decorative covers in other colors look at p. 19



▶ System K-3. Tilt set 9 system

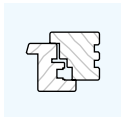


Application range:  
 Width: 300 - 2000 mm  
 Height: 280 - 700 mm



Nº	Description	Application range by width	Application range by height	Part No.
9	Standard locking plate timber 9 mm, 18/8	—	—	A7068-09-N03
10	Standard locking plate timber 13 mm, 24/8	—	—	A7069-13-N03
11	Standard locking plate timber 13 mm, 30/20	—	—	A7087-13-N03
16	Stay arm bearing for timber, 18 mm	—	—	A5014-18-N03
	Stay arm bearing for timber, 20 mm	—	—	A5014-20-N03
18	Cover of stay arm bearing	—	—	A7005-10-N*
19	Cover of stay arm bearing for timber	—	—	A7010-00-N*
26a	Side hung sash hinge 18 mm, timber, top, left	—	—	K5010-09-L03
	Side hung sash hinge 18 mm, timber, top, right			K5010-09-R03
	Side hung sash hinge 20 mm, timber, top, left			K5011-09-L03
	Side hung sash hinge 20 mm, timber, top, right			K5011-09-R03
27	Turn sash gear 280 - 400, L=280	—	300-500	K1003-03-N03
	Turn sash gear 401 - 600, L=400	—	401-600	K1003-04-N03
	Turn sash gear 601 - 800, L=600	—	601-800	K1003-06-N03
	Turn sash gear 801 -1000, L=800	—	801-1000	K1003-08-N03
	Turn sash gear 1001 - 1200, L=1000	—	1001-1200	K1003-10-N03
	Turn sash gear 1201 - 1400, L=1200	—	1201-1400	K1003-12-N03
	Turn sash gear 1401 - 1600, L=1400	—	1401-1600	K1003-14-N03





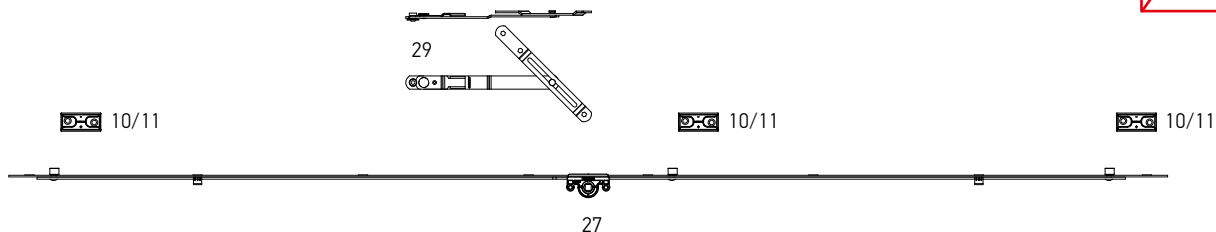
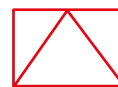
## Section 6

### Hardware set combinations

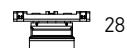
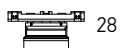
Tilt set

**AXOR**™

#### ▶ System K-3. Tilt set 13 system

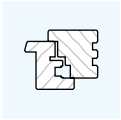


Application range:  
Width: 300 - 2000 mm  
Height: 280 - 700 mm

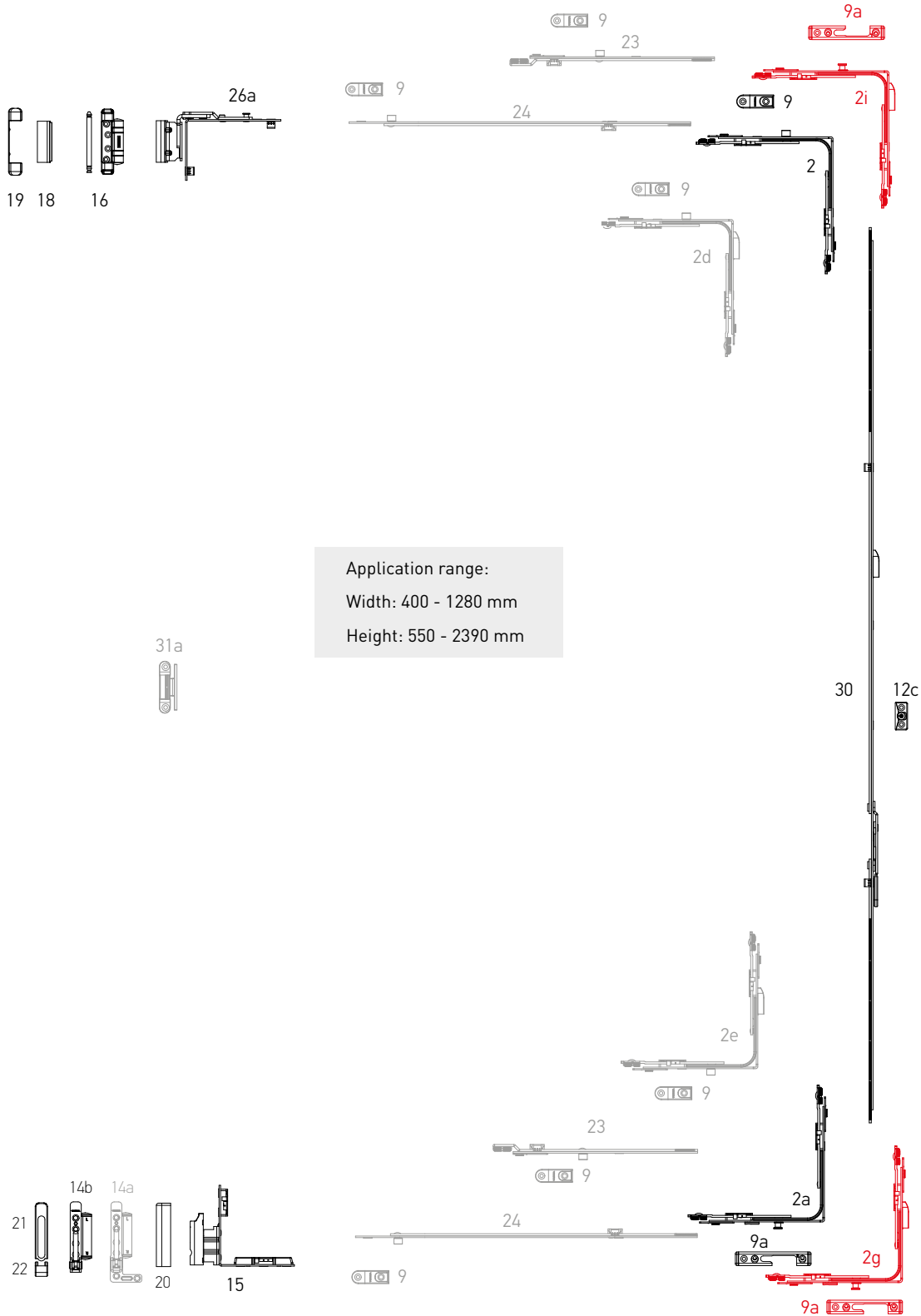
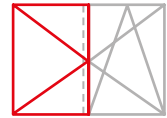


Nº	Description	Application range by width	Application range by height	Part No.
27	Turn sash gear 1601 - 1800, L=1600	—	1601-1800	K1003-16-N03
	Turn sash gear 1801 - 2000, L=1800	—	1801-2000	K1003-18-N03
	Turn sash gear 2001 - 2200, L=2000	—	2001-2200	K1003-20-N03
	Turn sash gear 2201 - 2400, L=2200	—	2201-2400	K1003-22-N03
28	Tilt window hinge, 12/18-9	—	—	A7089-09-N03
	Tilt window hinge, 12/18-13			A7089-13-N03
	Tilt window hinge, 12/20-9			A7090-09-N03
	Tilt window hinge, 12/20-13			A7090-13-N03
28a	Middle hinge timber, 12/18-9	—	—	A7091-09-N03
	Middle hinge timber, 12/18-13			A7091-13-N03
	Middle hinge timber, 12/20-9			A7092-09-N03
	Middle hinge timber, 12/20-13			A7092-13-N03
29	Tilt stay arm (fixing on gear)	—	—	A7017-00-N03
31a	Middle hinge with cover (white)	—	—	A7045-00-N01

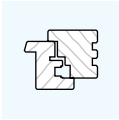
\* for decorative covers in other colors look at p.19



▶ **System K-3. Secondary sash 9 System**



Application range:  
Width: 400 - 1280 mm  
Height: 550 - 2390 mm



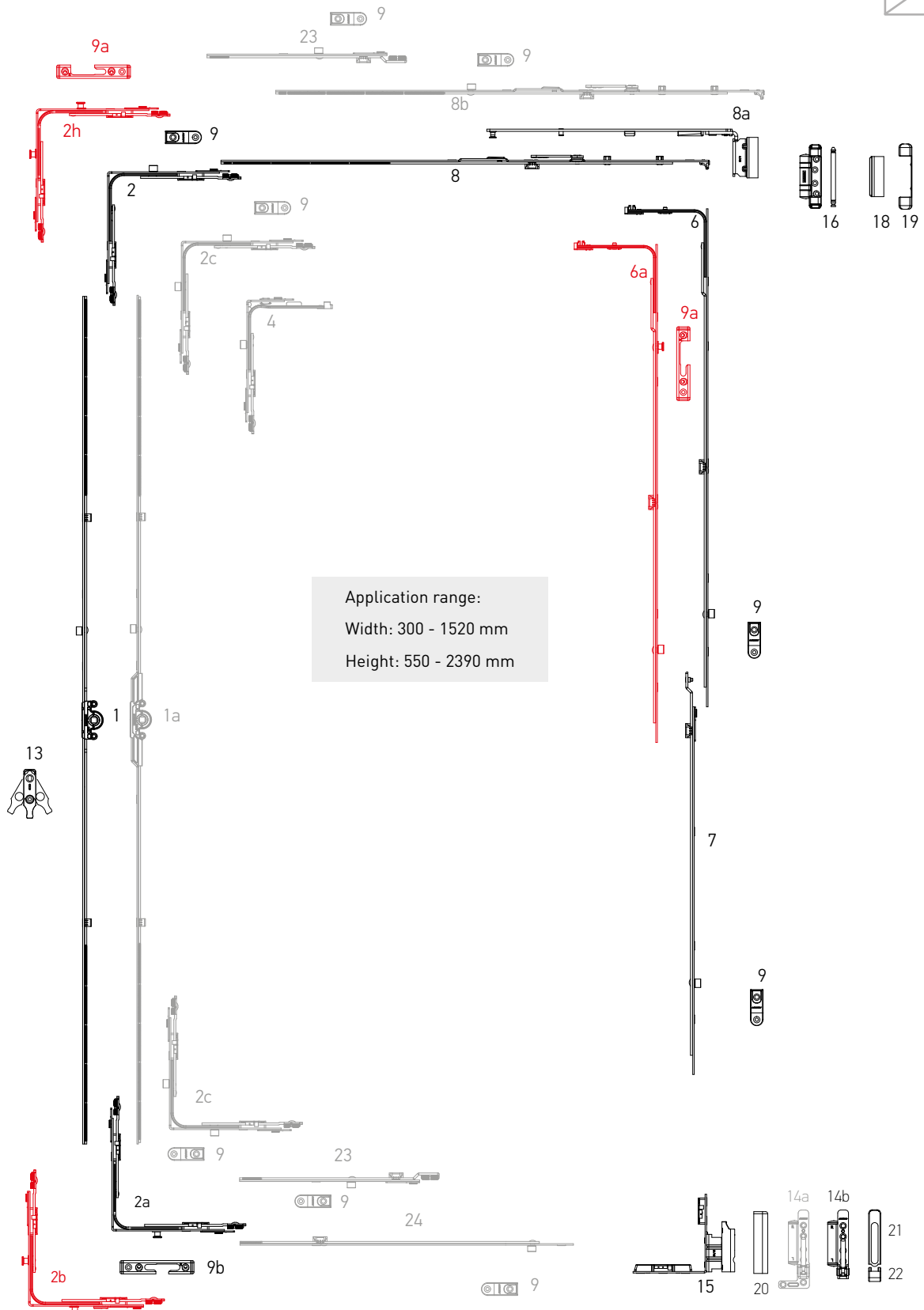
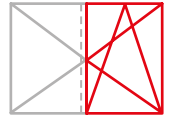
## Section 6

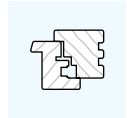
### Hardware set combinations

## Double sash set

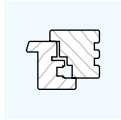


### System K-3. Main sash 9 System





Nº	Description	Application range by width	Application range by height	Part No.
1	Gear variable L=450, 551-750	—	551-750	K1001-04-N03
	Gear variable L=930, 751-1230, 1 ML	—	751-1230	K1001-09-N03
	Gear variable L=1130, 950-1430, 1 ML	—	950-1430	K1001-11-N03
	Gear variable L=1610, 1431-1910, 2 ML	—	1431-1910	K1001-16-N03
	Gear variable L=2090, 1911-2390, 3 ML	—	1911-2390	K1001-21-N03
1a	Gear variable L=450, 551-750, backset 7,5 mm	—	551-750	K1011-04-N03
	Gear variable L=930, 751-1230, 1 ML, backset 7,5 mm	—	751-1230	K1011-09-N03
	Gear variable L=1130, 950-1430, 1 ML, backset 7,5 mm	—	950-1430	K1011-11-N03
	Gear variable L=1410, 1231-1710, 2 ML, backset 7,5 mm	—	1231-1710	K1011-14-N03
	Gear variable L=1610, 1431-1910, 2 ML, backset 7,5 mm	—	1431-1910	K1011-16-N03
	Gear variable L=2090, 1911-2390, 3 ML, backset 7,5 mm	—	1911-2390	K1011-21-N03
2	Corner transmission	400-1280	450-2390	K2001-00-N03
2a	Corner transmission 1 ML 1 Se	400-1280	450-2390	K2008-00-N03
2b	Corner transmission 2 ML, Se	400-1280	450-2390	K2009-00-N03
2c	Corner transmission, 2 ML	400-1280	450-2390	K2002-00-N03
2d	Corner transmission for double sash, top	400-1280	450-2390	K2007-01-N03
2e	Corner transmission for double sash, bottom	400-1280	450-2390	K2007-02-N03
2g	Corner transmission for double sash, timber, bottom	400-1280	450-2390	K2010-00-N03
2h	Corner transmission, 2 ML	400-1280	450-2390	K2012-00-N03
2i	Corner transmission for double sash, Se, top	400-1280	450-2390	K2011-00-N03
4	Corner transmission S	300-400	450-2390	K2003-00-N03
4a	Corner transmission S 1 ML, Se	300-400	450-2390	K2006-00-N03
5	Stay arm L=450, 400-600	400-600	—	K3001-05-N03
	Stay arm L=650, 601-800	601-800	—	K3001-07-N03
	Stay arm L=890, 801-1040	801-1040	—	K3001-09-N03
	Stay arm L=1130, 1041-1280	1041-1280	—	K3001-11-N03
5a	Stay arm L=650, 601-800, 1 ML	601-800	—	K3001-57-N03
6	Middle lock L=400, 1 ML	600-1000	600-1000	K4001-04-N03
	Middle lock L=650, 1 ML	850-1250	850-1250	K4001-06-N03
	Middle lock L=720, 1 ML	920-1320	920-1320	K4001-07-N03
	Middle lock L=820, 1 ML	1251-1430	1251-1430	K4001-08-N03
	Middle lock L=1130, 2 ML	—	1251-1730	K4001-11-N03
6a	Middle lock L=400, 2 ML 1 Se	600-1000	600-1000	K4008-04-N03
	Middle lock L=650, 2 ML 1 Se	850-1250	850-1250	K4008-06-N03
	Middle lock L=820, 2 ML 1 Se	1251-1430	1251-1430	K4008-08-N03
	Middle lock L=1130, 3 ML 1 Se	—	1251-1730	K4008-11-N03
7	Middle lock extension 480 mm	—	1710-2210	K4005-05-N03
	Middle lock extension 680 mm	—	2231-2390	K4005-07-N03
8	Stay arm connecting plate L=485, 400-600	400-600	—	K3013-05-N03
	Stay arm connecting plate L=685, 601-800	601-800	—	K3013-07-N03
	Stay arm connecting plate L=925, 801-1040, 1 ml	801-1040	—	K3013-09-N03
	Stay arm connecting plate L=1165, 1041-1280, 1 ml	1041-1280	—	K3013-11-N03
8a	Stay arm timber L=248, 400-600, 20/09 mm, left/right	400-600	—	K3025-02-L/R03
	Stay arm timber L=248, 400-600, 18/09 mm, left/right			K3026-02-L/R03
	Stay arm timber L=319, 601-800 20/09 mm, left/right	601-800	—	K3025-03-L/R03
	Stay arm timber L=319, 601-800 18/09 mm, left/right			K3026-03-L/R03



## Section 6

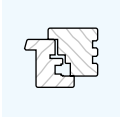
### Hardware set combinations

## Double sash set

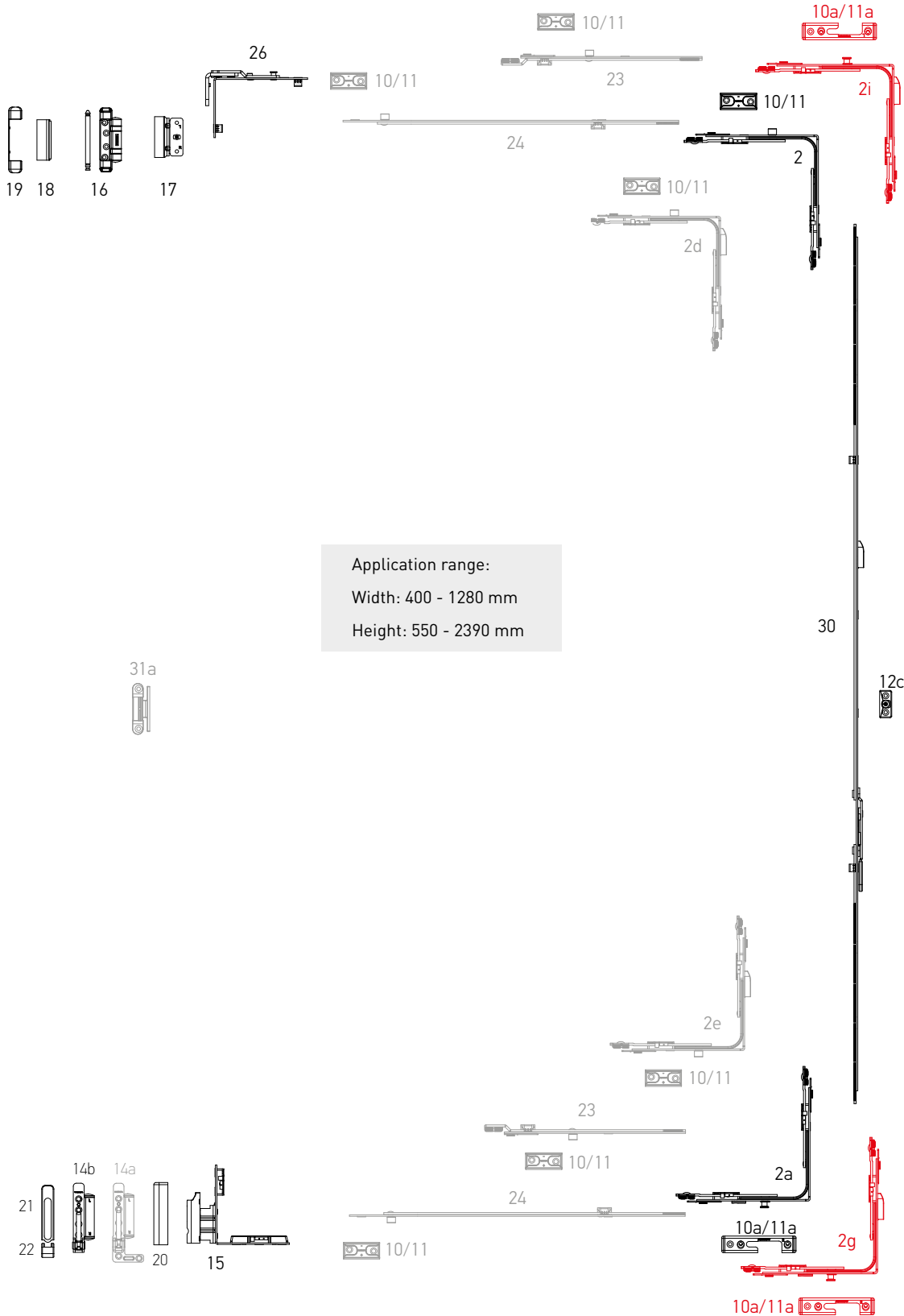
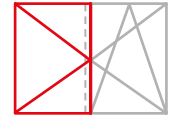


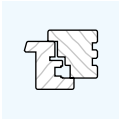
Nº	Description	Application range by width	Application range by height	Part No.
8a	Stay arm timber L=449, 801-1040 20/09 mm, left/right	801-1040	—	K3025-04-L/R03
	Stay arm timber L=449, 801-1040 18/09 mm, left/right	801-1040	—	K3026-04-L/R03
	Stay arm timber L=539, 1041-1280 20/09 mm, left/right	1041-1280	—	K3025-05-L/R03
	Stay arm timber L=539, 1041-1280 18/09 mm, left/right			K3026-05-L/R03
8b	Stay arm connecting plate L=650, 601-800, 1 ml	601-800	—	K3013-57-N03
9	Standard locking plate timber 9 mm, 18/8	—	—	A7068-09-N03
9a	Locking plate Se timber 9 mm, 18/8, left/right	—	—	S6030-09-L/R03
9b	Tilt locking plate Se timber 9 mm, 18/8, left/right	—	—	S6032-09-L/R03
12	Wrong op. safety device with sash lifter	—	751-2390	A7001-00-N03
12a	Lifting plate 13 mm, 24/8	—	751-2390	A6037-13-N03
12b	Lifting plate 13 mm, 30/20	—	751-2390	A6038-13-N03
12c	Lifting plate for double sash	—	—	A6001-00-N03
13	Corner bearing	—	—	A5002-00-N03
14a	Corner bearing for timber, 130 kg, 18 mm, left/right	—	—	A5021-18-L/R03
	Corner bearing for timber, 130 kg, 20 mm, left/right	—	—	A5021-20-L/R03
14b	Corner bearing for timber, 100 kg, 18 mm, left/right	—	—	A5013-18-L/R03
	Corner bearing for timber, 100 kg, 20 mm, left/right	—	—	A5013-20-L/R03
15	Rebate corner hinge, timber, 20/9, left/right	—	—	A5011-09-L/R03
	Rebate corner hinge, timber, 20/13, left/right			A5011-13-L/R03
	Rebate corner hinge, timber, 18/9, left/right			A5012-09-L/R03
	Rebate corner hinge, timber, 18/13, left/right			A5012-13-L/R03
16	Stay arm bearing for timber, 18 mm	—	—	A5014-18-N03
	Stay arm bearing for timber, 20 mm			A5014-20-N03
17	Top sash hinge timber, 18/13	—	—	K5008-13-N03
	Top sash hinge timber, 20/13			K5009-13-N03
18	Cover of top sash hinge	—	—	A7004-10-N*
19	Cover of stay arm bearing for timber	—	—	A7010-00-N*
20	Cover of rebate corner hinge left/right	—	—	A7009-00-L/R*
21	Box, top cover of corner bearing	—	—	A7008-10-N*
22	Box, bottom cover of corner bearing	—	—	A7007-10-N*
23	Extension lock 240 mm	—	—	K4003-02-N03
	Extension lock 480 mm			K4003-05-N03
24	Corner transmissions extension lock 480 mm	—	—	K4010-00-N03
26	Side hung sash hinge	—	—	K5002-00-N03
26a	Side hung sash hinge 18 mm, timber, top, left	—	—	K5010-09-L03
	Side hung sash hinge 18 mm, timber, top, right			K5010-09-R03
	Side hung sash hinge 20 mm, timber, top, left			K5011-09-L03
	Side hung sash hinge 20 mm, timber, top, right			K5011-09-R03
30	Double sash lever espagnolete variable L=450, 551-750	—	551-750	K1002-04-N03
	Double sash lever espagnolete variable L=650, 751-950	—	751-950	K1002-06-N03
	Double sash lever espagnolete variable L=1130, 951-1430	—	951-1430	K1002-11-N03
	Double sash lever espagnolete variable L=1610, 1431-1910	—	1431-1910	K1002-16-N03
	Double sash lever espagnolete variable L=2090, 1911-2390	—	1911-2390	K1002-21-N03
31a	Middle hinge with cover (white)	—	—	A7045-00-N01

\* for decorative covers in other colors look at p. 19.



▶ **System K-3. Secondary sash 13 System**





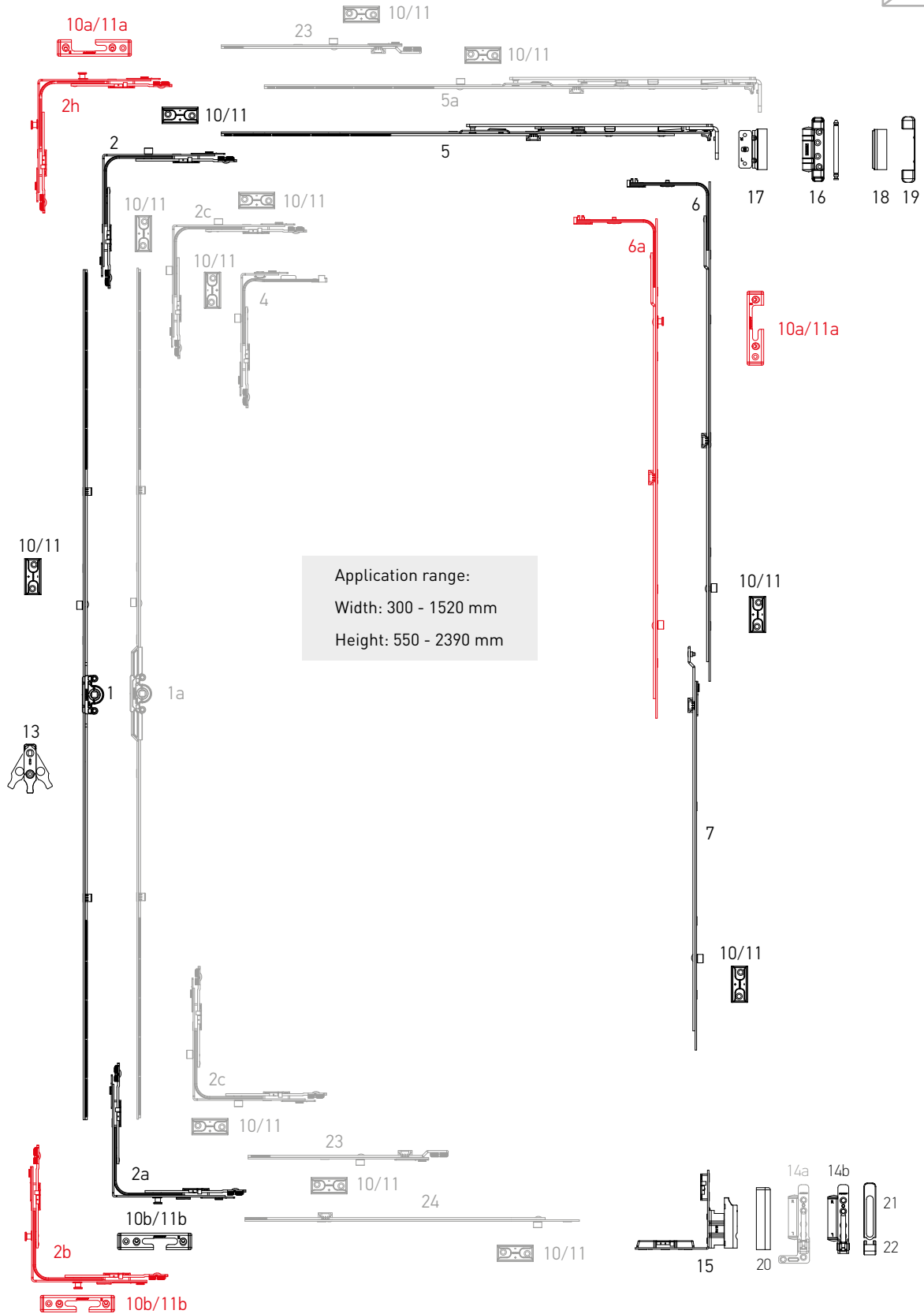
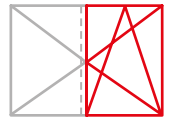
# Section 6

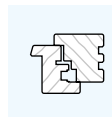
## Hardware set combinations

### Double sash set



#### System K-3. Main sash 13 System





Nº	Description	Application range by width	Application range by height	Part No.
1	Gear variable L=450, 551-750	—	551-750	K1001-04-N03
	Gear variable L=930, 751-1230, 1 ML	—	751-1230	K1001-09-N03
	Gear variable L=1130, 950-1430, 1 ML	—	950-1430	K1001-11-N03
	Gear variable L=1610, 1431-1910, 2 ML	—	1431-1910	K1001-16-N03
	Gear variable L=2090, 1911-2390, 3 ML	—	1911-2390	K1001-21-N03
1a	Gear variable L=450, 551-750, backset 7,5 mm	—	551-750	K1011-04-N03
	Gear variable L=930, 751-1230, 1 ML, backset 7,5 mm	—	751-1230	K1011-09-N03
	Gear variable L=1130, 950-1430, 1 ML, backset 7,5 mm	—	950-1430	K1011-11-N03
	Gear variable L=1410, 1231-1710, 2 ML, backset 7,5 mm	—	1231-1710	K1011-14-N03
	Gear variable L=1610, 1431-1910, 2 ML, backset 7,5 mm	—	1431-1910	K1011-16-N03
	Gear variable L=2090, 1911-2390, 3 ML, backset 7,5 mm	—	1911-2390	K1011-21-N03
2	Corner transmission	400-1280	450-2390	K2001-00-N03
2a	Corner transmission 1 ML 1 Se	400-1280	450-2390	K2008-00-N03
2b	Corner transmission 2 ML, Se	400-1280	450-2390	K2009-00-N03
2c	Corner transmission, 2 ML	400-1280	450-2390	K2002-00-N03
2d	Corner transmission for double sash, top	400-1280	450-2390	K2007-01-N03
2e	Corner transmission for double sash, bottom	400-1280	450-2390	K2007-02-N03
2g	Corner transmission for double sash, timber, bottom	400-1280	450-2390	K2010-00-N03
2h	Corner transmission, 2 ML	400-1280	450-2390	K2012-00-N03
2i	Corner transmission for double sash, Se, top	400-1280	450-2390	K2011-00-N03
4	Corner transmission S	300-400	450-2390	K2003-00-N03
4a	Corner transmission S 1 ML, Se	300-400	450-2390	K2006-00-N03
5	Stay arm L=450, 400-600	400-600	—	K3001-05-N03
	Stay arm L=650, 601-800	601-800	—	K3001-07-N03
	Stay arm L=890, 801-1040	801-1040	—	K3001-09-N03
	Stay arm L=1130, 1041-1280	1041-1280	—	K3001-11-N03
5a	Stay arm L=650, 601-800, 1 ML	601-800	—	K3001-57-N03
6	Middle lock L=400, 1 ML	600-1000	600-1000	K4001-04-N03
	Middle lock L=650, 1 ML	850-1250	850-1250	K4001-06-N03
	Middle lock L=720, 1 ML	920-1320	920-1320	K4001-07-N03
	Middle lock L=820, 1 ML	1251-1430	1251-1430	K4001-08-N03
	Middle lock L=1130, 2 ML	—	1251-1730	K4001-11-N03
6a	Middle lock L=400, 2 ML 1 Se	600-1000	600-1000	K4008-04-N03
	Middle lock L=650, 2 ML 1 Se	850-1250	850-1250	K4008-06-N03
	Middle lock L=820, 2 ML 1 Se	1251-1430	1251-1430	K4008-08-N03
	Middle lock L=1130, 3 ML 1 Se	—	1251-1730	K4008-11-N03
7	Middle lock extension 480 mm	—	1710-2210	K4005-05-N03
	Middle lock extension 680 mm	—	2231-2390	K4005-07-N03
8	Stay arm connecting plate L=485, 400-600	400-600	—	K3013-05-N03
	Stay arm connecting plate L=685, 601-800	601-800	—	K3013-07-N03
	Stay arm connecting plate L=925, 801-1040, 1 ml	801-1040	—	K3013-09-N03
	Stay arm connecting plate L=1165, 1041-1280, 1 ml	1041-1280	—	K3013-11-N03
8a	Stay arm timber L=248, 400-600, 20/09 mm, left/right	400-600	—	K3025-02-L/R03
	Stay arm timber L=248, 400-600, 18/09 mm, left/right			K3026-02-L/R03
	Stay arm timber L=319, 601-800 20/09 mm, left/right	601-800	—	K3025-03-L/R03
	Stay arm timber L=319, 601-800 18/09 mm, left/right			K3026-03-L/R03
	Stay arm timber L=449, 801-1040 20/09 mm, left/right	801-1040	—	K3025-04-L/R03
	Stay arm timber L=449, 801-1040 18/09 mm, left/right			K3026-04-L/R03





## Section 6

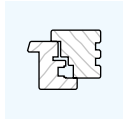
### Hardware set combinations

## Double sash set

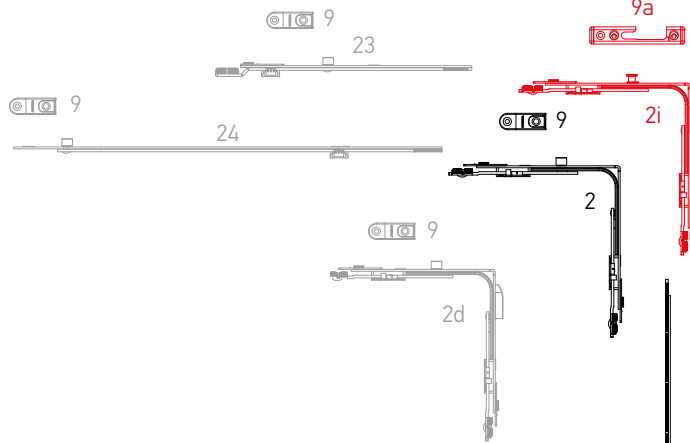
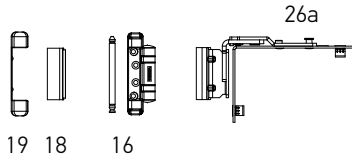
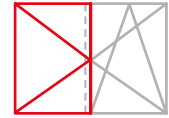
**AXOR**™

Nº	Description	Application range by width	Application range by height	Part No.
8a	Stay arm timber L=539, 1041-1280 20/09 mm, left/right	1041-1280	—	K3025-05-L/R03
	Stay arm timber L=539, 1041-1280 18/09 mm, left/right			K3026-05-L/R03
8b	Stay arm connecting plate L=650, 601-800, 1 ml	601-800	—	K3013-57-N03
10	Standard locking plate timber 13 mm, 24/8	—	—	A7069-13-N03
10a	Locking plate s e timber 13 mm, 24/8, left/right	—	—	S6031-13-L/R03
10b	Tilt locking plate Se timber 13 mm, 24/8, left/right	—	—	S6033-13-L/R03
11	Standard locking plate timber 13 mm, 30/20	—	—	A7087-13-N03
11a	Locking plate Se timber 13 mm, 30/20	—	—	S6049-13-L/R03
11b	Tilt locking plate Se timber 13 mm, 30/20	—	—	S6050-13-L/R03
12	Wrong op. safety device with sash lifter	—	751-2390	A7001-00-N03
12a	Lifting plate 13 mm, 24/8	—	751-2390	A6037-13-N03
12b	Lifting plate 13 mm, 30/20	—	751-2390	A6038-13-N03
12c	Lifting plate for double sash	—	—	A6001-00-N03
13	Wrong op. safety device with sash lifter	—	751-2390	A7001-00-N03
14a	Corner bearing for timber, 130 kg, 18 mm, left/right	—	—	A5021-18-L/R03
	Corner bearing for timber, 130 kg, 20 mm, left/right	—	—	A5021-20-L/R03
14b	Corner bearing for timber, 100 kg, 18 mm, left/right	—	—	A5013-18-L/R03
	Corner bearing for timber, 100 kg, 20 mm, left/right	—	—	A5013-20-L/R03
15	Rebate corner hinge, timber, 20/9, left/right	—	—	A5011-09-L/R03
	Rebate corner hinge, timber, 20/13, left/right			A5011-13-L/R03
	Rebate corner hinge, timber, 18/9, left/right			A5012-09-L/R03
	Rebate corner hinge, timber, 18/13, left/right			A5012-13-L/R03
16	Stay arm bearing for timber, 18 mm	—	—	A5014-18-N03
	Stay arm bearing for timber, 20 mm			A5014-20-N03
17	Top sash hinge timber, 18/13	—	—	K5008-13-N03
	Top sash hinge timber, 20/13			K5009-13-N03
18	Cover of top sash hinge	—	—	A7004-10-N*
19	Cover of stay arm bearing for timber	—	—	A7010-00-N*
20	Cover of rebate corner hinge left/right	—	—	A7009-00-L/R*
21	Box, top cover of corner bearing	—	—	A7008-10-N*
22	Box, bottom cover of corner bearing	—	—	A7007-10-N*
23	Extension lock 240 mm	—	—	K4003-02-N03
	Extension lock 480 mm			K4003-05-N03
24	Corner transmissions extension lock 480 mm	—	—	K4010-00-N03
26	Side hung sash hinge	—	—	K5002-00-N03
26a	Side hung sash hinge 18 mm, timber, top, left	—	—	K5010-09-L03
	Side hung sash hinge 18 mm, timber, top, right			K5010-09-R03
	Side hung sash hinge 20 mm, timber, top, left			K5011-09-L03
	Side hung sash hinge 20 mm, timber, top, right			K5011-09-R03
30	Double sash lever espagnolete variable L=450, 551-750	—	551-750	K1002-04-N03
	Double sash lever espagnolete variable L=650, 751-950	—	751-950	K1002-06-N03
	Double sash lever espagnolete variable L=1130, 951-1430	—	951-1430	K1002-11-N03
	Double sash lever espagnolete variable L=1610, 1431-1910	—	1431-1910	K1002-16-N03
	Double sash lever espagnolete variable L=2090, 1911-2390	—	1911-2390	K1002-21-N03
31a	Middle hinge with cover (white)	—	—	A7045-00-N01

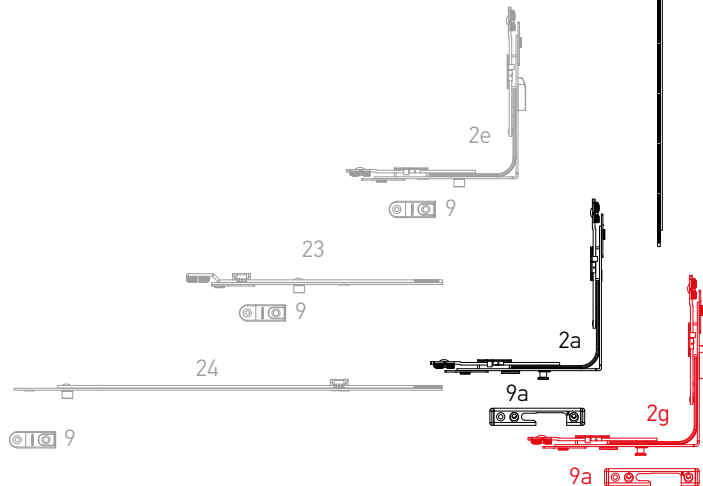
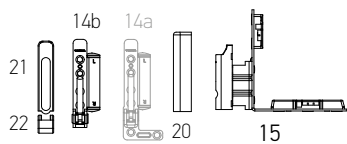
\* for decorative covers in other colors look at p. 19.

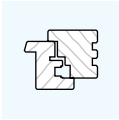


▶ **System K-3. Secondary sash "First Tilt" 9 System**



Application range:  
Width: 400 - 1280 mm  
Height: 550 - 2390 mm



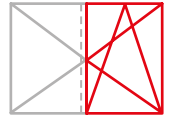


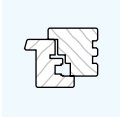
**Section 6**  
Hardware set  
combinations

**Double sash set**  
**"First Tilt" 9 system**

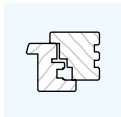


▶ **System K-3. Main sash "First Tilt" 9 System**





Nº	Description	Application range by width	Application range by height	Part No.
1	Gear variable L=450, 551-750	—	551-750	K1001-04-N03
	Gear variable L=930, 751-1230, 1 ML	—	751-1230	K1001-09-N03
	Gear variable L=1130, 950-1430, 1 ML	—	950-1430	K1001-11-N03
	Gear variable L=1610, 1431-1910, 2 ML	—	1431-1910	K1001-16-N03
	Gear variable L=2090, 1911-2390, 3 ML	—	1911-2390	K1001-21-N03
1a	Gear variable L=450, 551-750, backset 7,5 mm	—	551-750	K1011-04-N03
	Gear variable L=930, 751-1230, 1 ML, backset 7,5 mm	—	751-1230	K1011-09-N03
	Gear variable L=1130, 950-1430, 1 ML, backset 7,5 mm	—	950-1430	K1011-11-N03
	Gear variable L=1410, 1231-1710, 2 ML, backset 7,5 mm	—	1231-1710	K1011-14-N03
	Gear variable L=1610, 1431-1910, 2 ML, backset 7,5 mm	—	1431-1910	K1011-16-N03
	Gear variable L=2090, 1911-2390, 3 ML, backset 7,5 mm	—	1911-2390	K1011-21-N03
2	Corner transmission	400-1280	450-2390	K2001-00-N03
2a	Corner transmission 1 ML 1 Se	400-1280	450-2390	K2008-00-N03
2b	Corner transmission 2 ML, Se	400-1280	450-2390	K2009-00-N03
2c	Corner transmission, 2 ML	400-1280	450-2390	K2002-00-N03
2d	Corner transmission for double sash, top	400-1280	450-2390	K2007-01-N03
2e	Corner transmission for double sash, bottom	400-1280	450-2390	K2007-02-N03
2g	Corner transmission for double sash, timber, bottom	400-1280	450-2390	K2010-00-N03
2h	Corner transmission, 2 ML	400-1280	450-2390	K2012-00-N03
2i	Corner transmission for double sash, Se, top	400-1280	450-2390	K2011-00-N03
4	Corner transmission S	300-400	450-2390	K2003-00-N03
4a	Corner transmission S 1 ML, Se	300-400	450-2390	K2006-00-N03
6	Middle lock L=400, 1 ML	600-1000	600-1000	K4001-04-N03
	Middle lock L=650, 1 ML	850-1250	850-1250	K4001-06-N03
	Middle lock L=720, 1 ML	920-1320	920-1320	K4001-07-N03
	Middle lock L=820, 1 ML	1251-1430	1251-1430	K4001-08-N03
	Middle lock L=1130, 2 ML	—	1251-1730	K4001-11-N03
6a	Middle lock L=400, 2 ML 1 Se	600-1000	600-1000	K4008-04-N03
	Middle lock L=650, 2 ML 1 Se	850-1250	850-1250	K4008-06-N03
	Middle lock L=820, 2 ML 1 Se	1251-1430	1251-1430	K4008-08-N03
	Middle lock L=1130, 3 ML 1 Se	—	1251-1730	K4008-11-N03
7	Middle lock extension 480 mm	—	1710-2210	K4005-05-N03
	Middle lock extension 680 mm	—	2231-2390	K4005-07-N03
8c	First Tilt stay arm L=450, 400-600	400-600	—	K3029-05-N03
	First Tilt stay arm L=650, 601-800	601-800	—	K3029-07-N03
	First Tilt stay arm L=890, 801-1040	801-1040	—	K3029-09-N03
	First Tilt stay arm L=1130, 1071-1280	1041-1280	—	K3029-11-N03
8d	First Tilt stay arm timber L=248, 400-600, 20/9 mm, left/right	400-600	—	K3027-02-L/R03
	First Tilt stay arm timber L=248, 400-600, 18/9 mm, left/right			K3028-02-L/R03
	First Tilt stay arm timber l = 319, 601-800, 20/9 mm, left/right	601-800	—	K3027-03-L/R03
	First Tilt stay arm timber l = 319, 601-800, 18/9 mm, left/right			K3028-03-L/R03



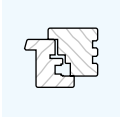
## Section 6

### Hardware set combinations

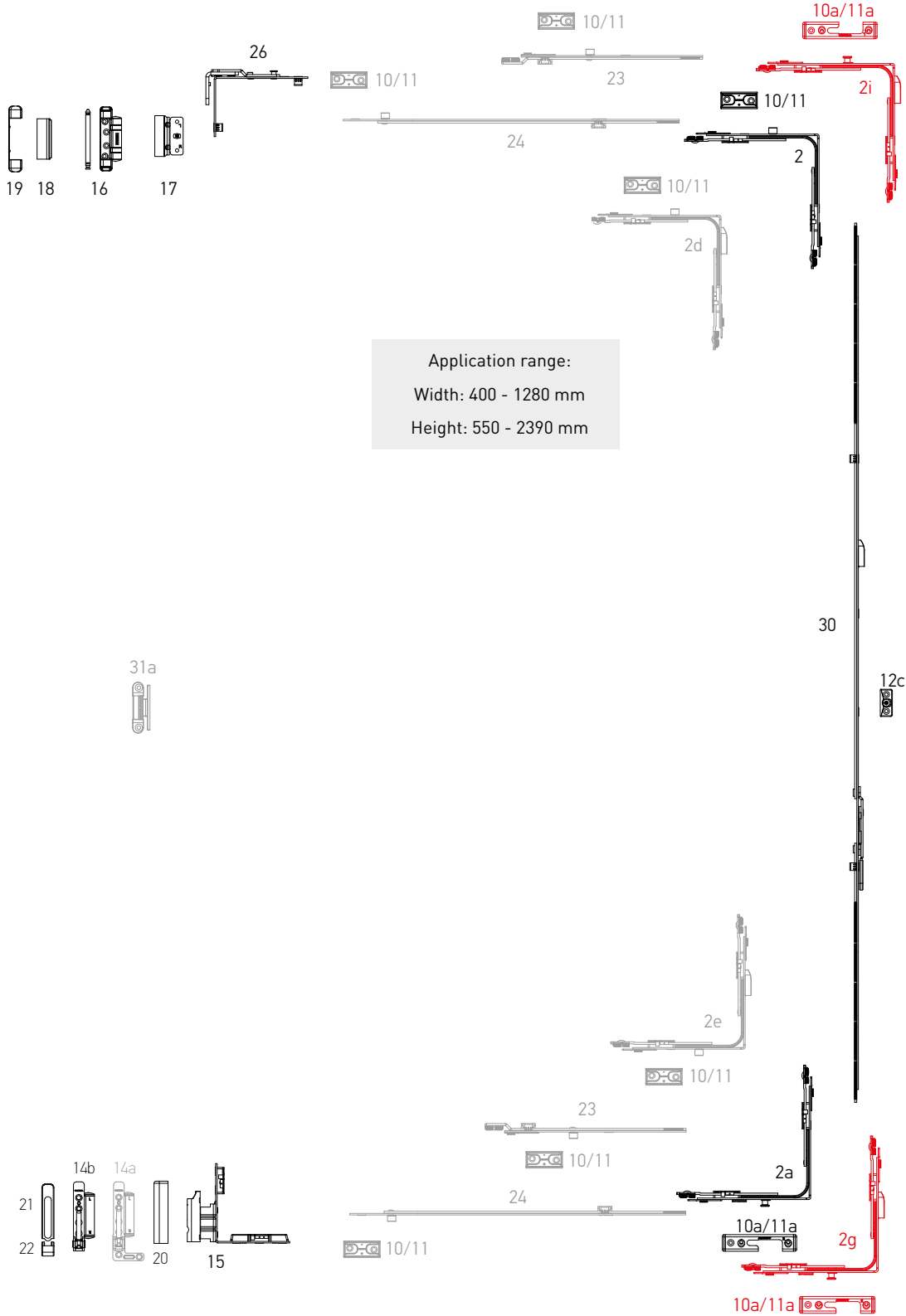
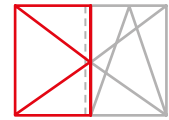
## Double sash set "First Tilt" 9 system

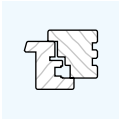
Nº	Description	Application range by width	Application range by height	Part No.
8d	First Tilt stay arm timber l = 449, 801-1040, 20/9 mm, left/right	801-1040	—	K3027-04-L/R03
	First Tilt stay arm timber l = 449, 801-1040, 18/9 mm, left/right			K3028-04-L/R03
	First Tilt stay arm timber l = 539, 1041-1280, 20/9 mm, left/right	1041-1280	—	K3027-05-L/R03
	First Tilt stay arm timber l = 539, 1041-1280, 18/9 mm, left/right			K3028-05-L/R03
8e	First Tilt stay arm L=650, 601-800, ml	601-800	—	K3029-57-N03
9	Standard locking plate timber 9 mm, 18/8	—	—	A7068-09-N03
9a	Locking plate Se timber 9 mm, 18/8, left/right	—	—	S6030-09-L/R03
9c	First Tilt locking plate Se timber 9 mm, 18/8, left/right	—	—	S6052-09-L/R03
12	Wrong op. safety device with sash lifter	—	751-2390	A7001-00-N03
12c	Lifting plate for double sash	—	—	A6001-00-N03
13	Corner bearing	—	—	A5002-00-N03
14a	Corner bearing for timber, 130 kg, 18 mm, left/right	—	—	A5021-18-L/R03
	Corner bearing for timber, 130 kg, 20 mm, left/right	—	—	A5021-20-L/R03
14b	Corner bearing for timber, 100 kg, 18 mm, left/right	—	—	A5013-18-L/R03
	Corner bearing for timber, 100 kg, 20 mm, left/right	—	—	A5013-20-L/R03
15	Rebate corner hinge, timber, 20/9, left/right	—	—	A5011-09-L/R03
	Rebate corner hinge, timber, 18/9, left/right			A5012-09-L/R03
16	Stay arm bearing for timber, 18 mm	—	—	A5014-18-N03
	Stay arm bearing for timber, 20 mm			A5014-20-N03
18	Cover of top sash hinge	—	—	A7004-10-N*
19	Cover of stay arm bearing for timber	—	—	A7010-00-N*
20	Cover of rebate corner hinge left/right	—	—	A7009-00-L/R*
21	Box, top cover of corner bearing	—	—	A7008-10-N*
22	Box, bottom cover of corner bearing	—	—	A7007-10-N*
23	Extension lock 240 mm	—	—	K4003-02-N03
	Extension lock 480 mm			K4003-05-N03
24	Corner transmissions extension lock 480 mm	—	—	K4010-00-N03
26	Side hung sash hinge	—	—	K5002-00-N03
26a	Side hung sash hinge 18 mm, timber, top, left	—	—	K5010-09-L03
	Side hung sash hinge 18 mm, timber, top, right			K5010-09-R03
	Side hung sash hinge 20 mm, timber, top, left			K5011-09-L03
	Side hung sash hinge 20 mm, timber, top, right			K5011-09-R03
30	Double sash lever espagnolete variable L=450, 551-750	—	551-750	K1002-04-N03
	Double sash lever espagnolete variable L=650, 751-950	—	751-950	K1002-06-N03
	Double sash lever espagnolete variable L=1130, 951-1430	—	951-1430	K1002-11-N03
	Double sash lever espagnolete variable L=1610, 1431-1910	—	1431-1910	K1002-16-N03
	Double sash lever espagnolete variable L=2090, 1911-2390	—	1911-2390	K1002-21-N03
31a	Middle hinge with cover (white)	—	—	A7045-00-N01

\* for decorative covers in other colors look at p. 19.



▶ **System K-3. Secondary sash "First Tilt" 13 System**



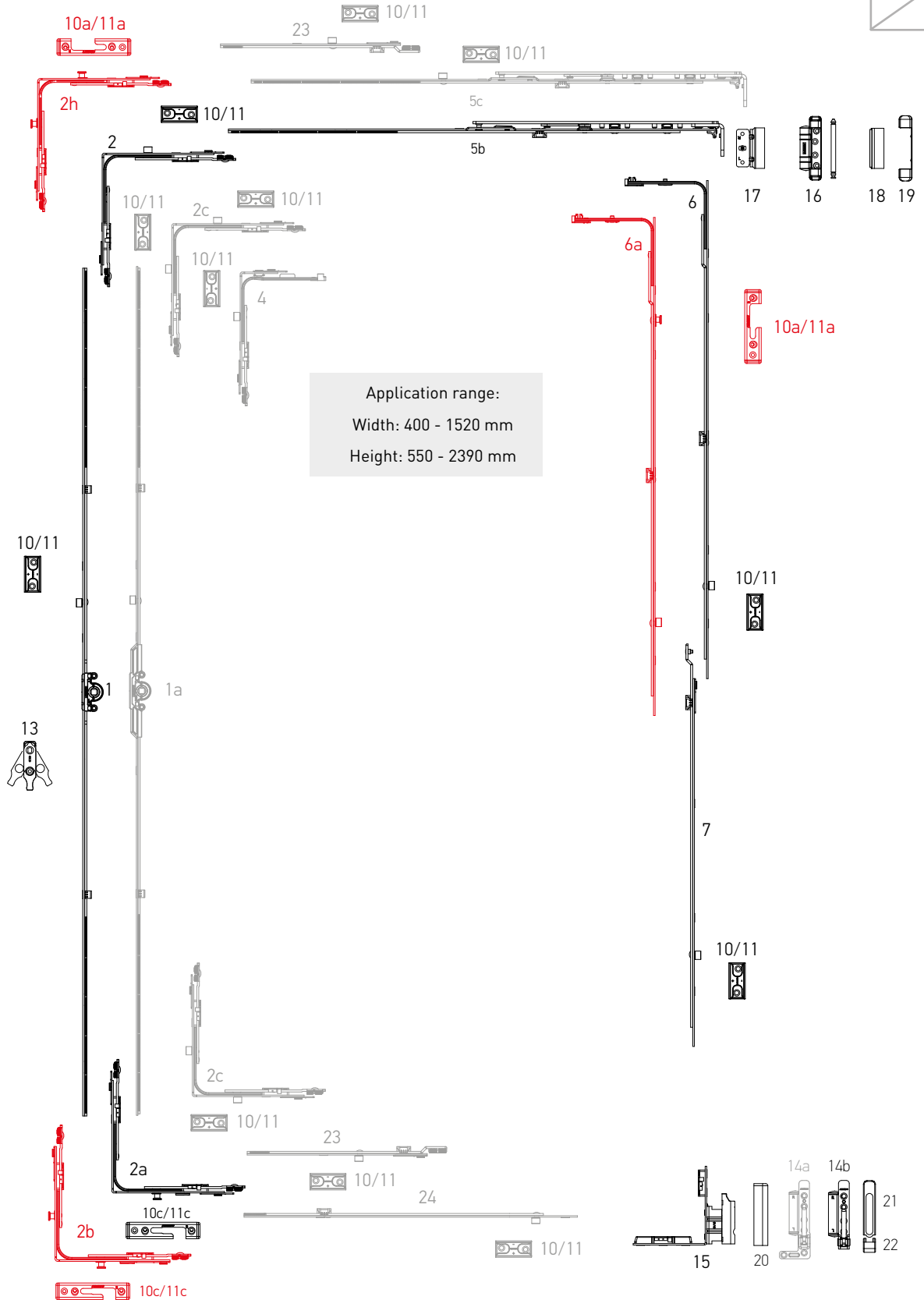
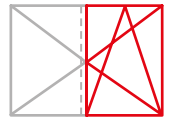


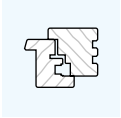
**Section 6**  
Hardware set  
combinations

**Double sash set**  
"First Tilt" 13 system



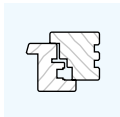
▶ **System K-3. Main sash "First Tilt" 13 System**





Nº	Description	Application range by width	Application range by height	Part No.
1	Gear variable L=450, 551-750	—	551-750	K1001-04-N03
	Gear variable L=930, 751-1230, 1 ML	—	751-1230	K1001-09-N03
	Gear variable L=1130, 950-1430, 1 ML	—	950-1430	K1001-11-N03
	Gear variable L=1610, 1431-1910, 2 ML	—	1431-1910	K1001-16-N03
	Gear variable L=2090, 1911-2390, 3 ML	—	1911-2390	K1001-21-N03
1a	Gear variable L=450, 551-750, backset 7,5 mm	—	551-750	K1011-04-N03
	Gear variable L=930, 751-1230, 1 ML, backset 7,5 mm	—	751-1230	K1011-09-N03
	Gear variable L=1130, 950-1430, 1 ML, backset 7,5 mm	—	950-1430	K1011-11-N03
	Gear variable L=1410, 1231-1710, 2 ML, backset 7,5 mm	—	1231-1710	K1011-14-N03
	Gear variable L=1610, 1431-1910, 2 ML, backset 7,5 mm	—	1431-1910	K1011-16-N03
	Gear variable L=2090, 1911-2390, 3 ML, backset 7,5 mm	—	1911-2390	K1011-21-N03
2	Corner transmission	400-1280	450-2390	K2001-00-N03
2a	Corner transmission 1 ML 1 Se	400-1280	450-2390	K2008-00-N03
2b	Corner transmission 2 ML, Se	400-1280	450-2390	K2009-00-N03
2c	Corner transmission, 2 ML	400-1280	450-2390	K2002-00-N03
2d	Corner transmission for double sash, top	400-1280	450-2390	K2007-01-N03
2e	Corner transmission for double sash, bottom	400-1280	450-2390	K2007-02-N03
2g	Corner transmission for double sash, timber, bottom	400-1280	450-2390	K2010-00-N03
2h	Corner transmission, 2 ML	400-1280	450-2390	K2012-00-N03
2i	Corner transmission for double sash, Se, top	400-1280	450-2390	K2011-00-N03
4	Corner transmission S	300-400	450-2390	K2003-00-N03
4a	Corner transmission S 1 ML, Se	300-400	450-2390	K2006-00-N03
5b	Stay arm, First Tilt L=450, 400-600	400-600	—	K3014-05-N03
	Stay arm, First Tilt L=650, 601-800	601-800	—	K3014-07-N03
	Stay arm, First Tilt L=890, 801-1040	801-1040	—	K3014-09-N03
	Stay arm, First Tilt L=1130, 1041-1280	1041-1280	—	K3014-11-N03
5c	Stay arm 2MV, "First tilt", L=650, 601-800, 1 ML	601-800	—	K3014-57-N03
6	Middle lock L=400, 1 ML	600-1000	600-1000	K4001-04-N03
	Middle lock L=650, 1 ML	850-1250	850-1250	K4001-06-N03
	Middle lock L=720, 1 ML	920-1320	920-1320	K4001-07-N03
	Middle lock L=820, 1 ML	1251-1430	1251-1430	K4001-08-N03
	Middle lock L=1130, 2 ML	—	1251-1730	K4001-11-N03
6a	Middle lock L=400, 2 ML 1 Se	600-1000	600-1000	K4008-04-N03
	Middle lock L=650, 2 ML 1 Se	850-1250	850-1250	K4008-06-N03
	Middle lock L=820, 2 ML 1 Se	1251-1430	1251-1430	K4008-08-N03
	Middle lock L=1130, 3 ML 1 Se	—	1251-1730	K4008-11-N03
7	Middle lock extension 480 mm	—	1710-2210	K4005-05-N03
	Middle lock extension 680 mm	—	2231-2390	K4005-07-N03
10	Standard locking plate timber 13 mm, 24/8	—	—	A7069-13-N03
10a	Locking plate Se timber 13 mm, 24/8, left/right	—	—	S6031-13-L/R03





## Section 6

### Hardware set combinations

## Double sash set "First Tilt" 13 system

Nº	Description	Application range by width	Application range by height	Part No.
10c	First Tilt locking plate Se timber 13 mm, 24/8, left/right	—	—	S6053-13-L/R03
11	Standard locking plate timber 13 mm, 30/20	—	—	A7087-13-N03
11a	Locking plate Se timber 13 mm, 30/20	—	—	S6049-13-L/R03
11c	Tilt locking plate First Tilt Se timber 13 mm, 30/20	—	—	S6051-13-L/R03
12	Wrong op. safety device with sash lifter	—	751-2390	A7001-00-N03
12a	Lifting plate 13 mm, 24/8	—	751-2390	A6037-13-N03
12b	Lifting plate 13 mm, 30/20	—	751-2390	A6038-13-N03
12c	Lifting plate for double sash	—	—	A6001-00-N03
13	Corner bearing	—	—	A5002-00-N03
14a	Corner bearing for timber, 130 kg, 18 mm, left/right	—	—	A5021-18-L/R03
	Corner bearing for timber, 130 kg, 20 mm, left/right	—	—	A5021-20-L/R03
14b	Corner bearing for timber, 100 kg, 18 mm, left/right	—	—	A5013-18-L/R03
	Corner bearing for timber, 100 kg, 20 mm, left/right	—	—	A5013-20-L/R03
15	Rebate corner hinge, timber, 20/13, left/right	—	—	A5011-13-L/R03
	Rebate corner hinge, timber, 18/13, left/right	—	—	A5012-13-L/R03
16	Stay arm bearing for timber, 18 mm	—	—	A5014-18-N03
	Stay arm bearing for timber, 20 mm	—	—	A5014-20-N03
17	Top sash hinge timber, 18/13	—	—	K5008-13-N03
	Top sash hinge timber, 20/13	—	—	K5009-13-N03
18	Cover of top sash hinge	—	—	A7004-10-N*
19	Cover of stay arm bearing for timber	—	—	A7010-00-N*
20	Cover of rebate corner hinge left/right	—	—	A7009-00-L/R*
21	Box, top cover of corner bearing	—	—	A7008-10-N*
22	Box, bottom cover of corner bearing	—	—	A7007-10-N*
23	Extension lock 240 mm	—	—	K4003-02-N03
	Extension lock 480 mm	—	—	K4003-05-N03
24	Corner transmissions extension lock 480 mm	—	—	K4010-00-N03
26	Side hung sash hinge	—	—	K5002-00-N03
26a	Side hung sash hinge 18 mm, timber, top, left	—	—	K5010-09-L03
	Side hung sash hinge 18 mm, timber, top, right	—	—	K5010-09-R03
	Side hung sash hinge 20 mm, timber, top, left	—	—	K5011-09-L03
	Side hung sash hinge 20 mm, timber, top, right	—	—	K5011-09-R03
30	Double sash lever espagnolete variable L=450, 551-750	—	551-750	K1002-04-N03
	Double sash lever espagnolete variable L=650, 751-950	—	751-950	K1002-06-N03
	Double sash lever espagnolete variable L=1130, 951-1430	—	951-1430	K1002-11-N03
	Double sash lever espagnolete variable L=1610, 1431-1910	—	1431-1910	K1002-16-N03
	Double sash lever espagnolete variable L=2090, 1911-2390	—	1911-2390	K1002-21-N03
31a	Middle hinge with cover (white)	—	—	A7045-00-N01

\* for decorative covers in other colors look at p. 19.



**AXOR**<sup>TM</sup>

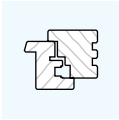
# KOMFORT LINE K-3

Installation tools

Installation recommendations

Punching machines

**AXOR**

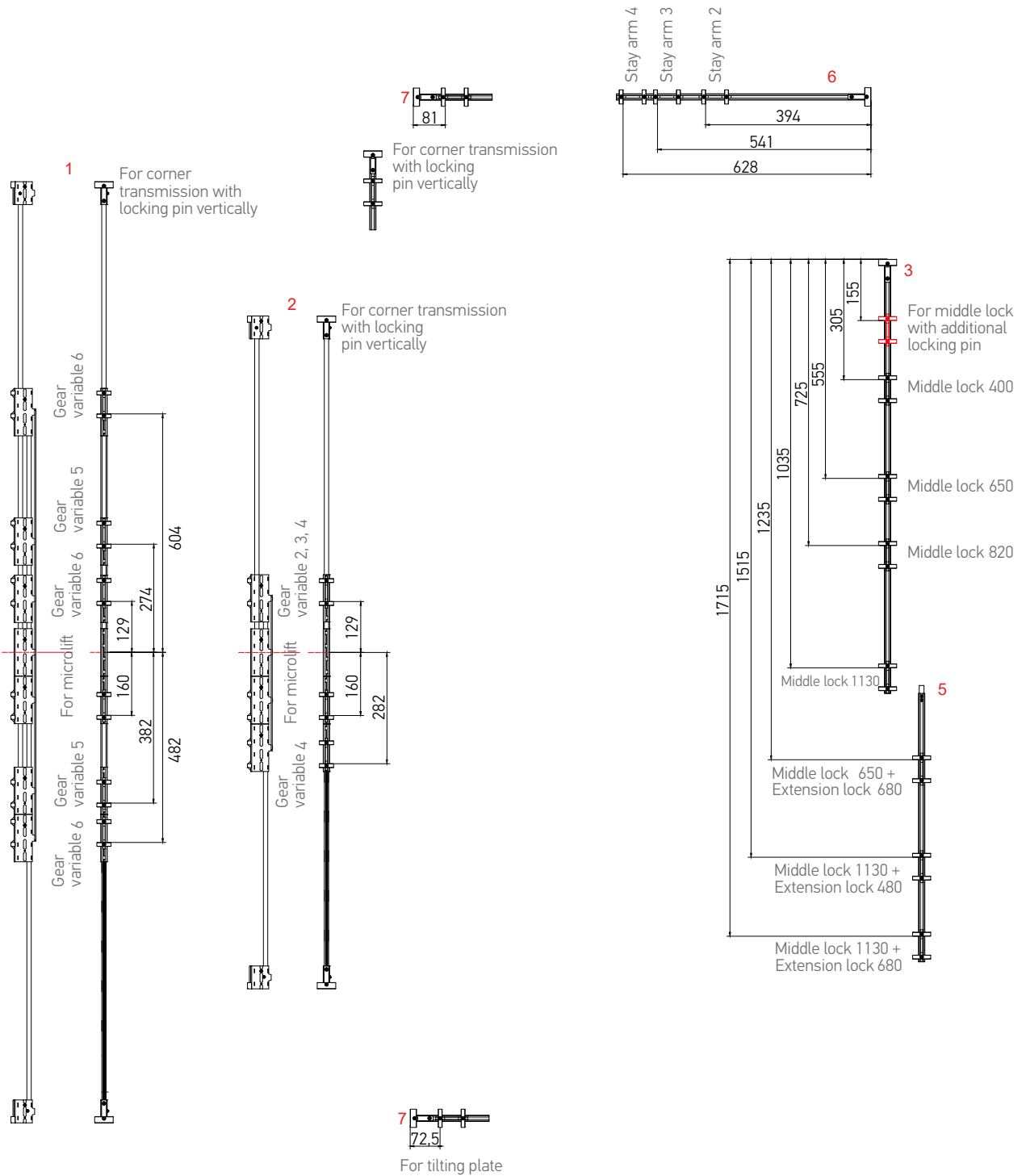


## Section 7 Installation Tools

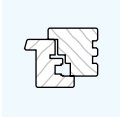
## Information for an adjustment of jigs



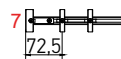
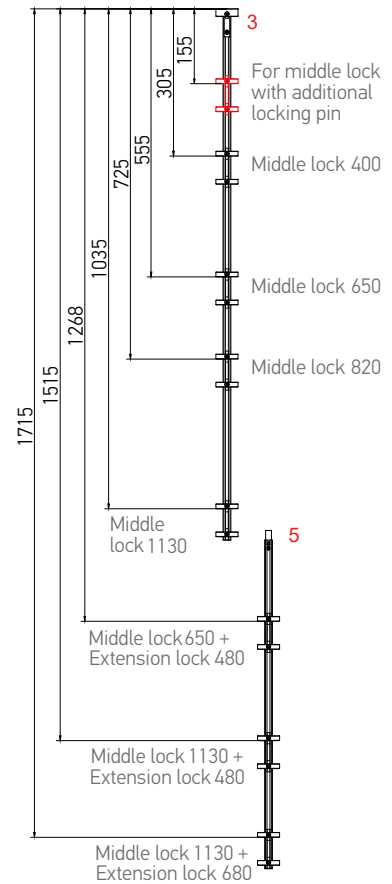
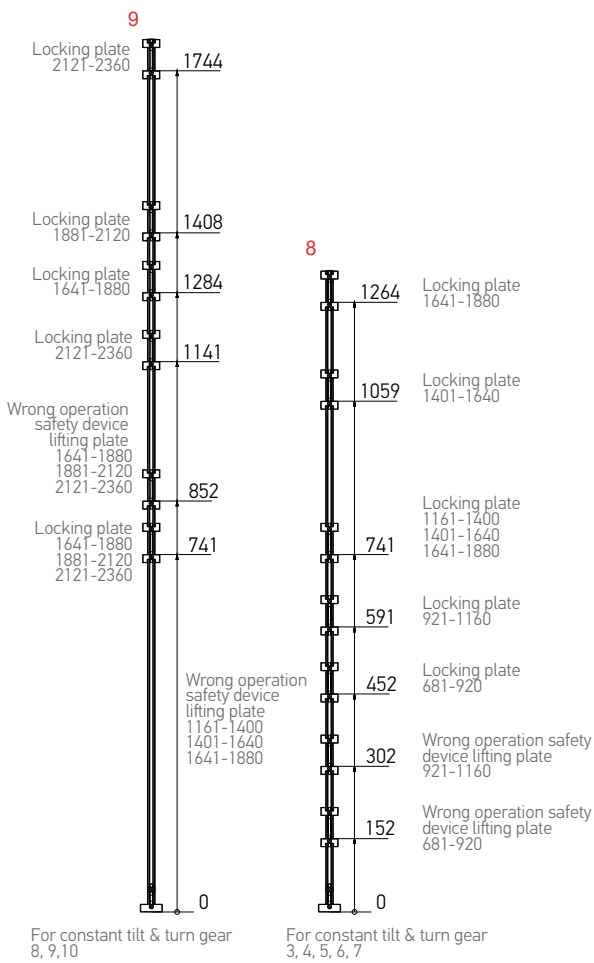
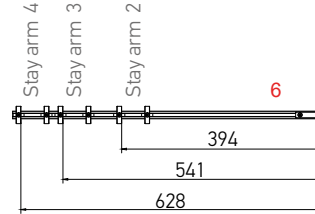
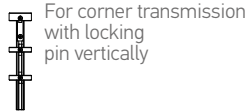
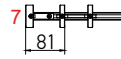
### Information for an adjustment of jigs for single sash tilt and turn window



All dimensions are approximate and are subject to verification during production start-up.



Information for an adjustment of jigs for single sash tilt and turn window



For tilting plate

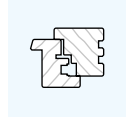


## Section 7 Installation Tools

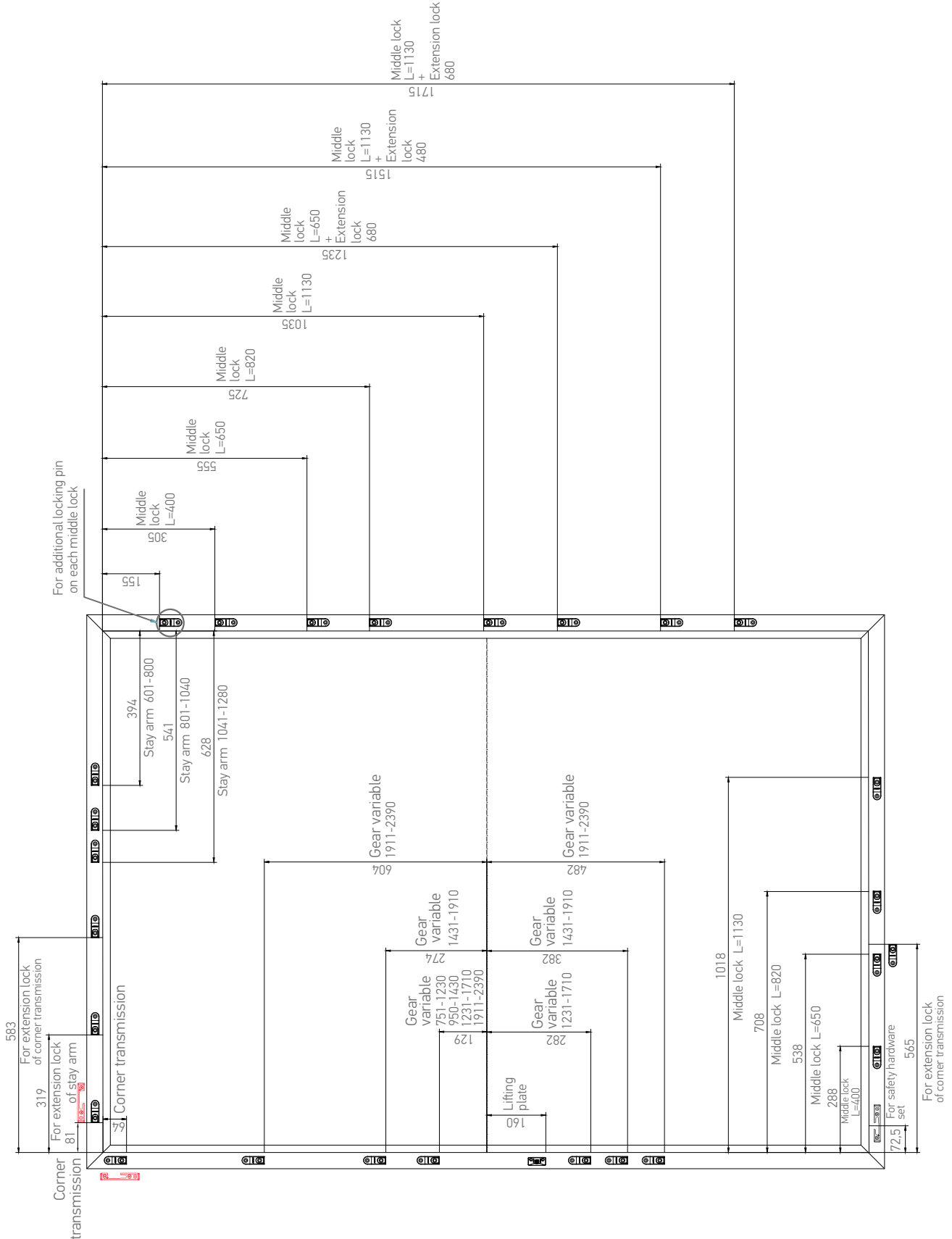
## Locking plate jigs

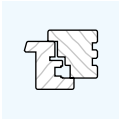
**AXOR**<sup>™</sup>

Nº	Description	Designation	Part No.
1	Telescopic jig GV2	For tilt-and-turn gear 5, 6. The handle is positioned in center.	A7024-02-N00
2	Telescopic jig GV1	For tilt-and-turn gear 2, 3, 4. The handle is positioned in center.	A7024-01-N00
3	Linear jig MLV	For all vertical middle locks.	A7026-00-N00
4	Linear jig MLH	For all horizontal middle locks.	A7028-00-N00
5	Linear jig MLEV	For all vertical middle lock extensions.	A7027-00-N00
6	Linear jig SA	For stay-arms of all sizes.	A7032-00-N00
7	Linear jig CTCP1	For corner transmission with vertical locking pin.	A7025-00-N00
8	Linear jig CG	For constant tilt & turn gear 3, 4, 5, 6, 7	A7065-01-N00
9	Linear jig CG	For constant tilt & turn gear 8, 9, 10	A7065-02-N00



### Installation of frame hardware components



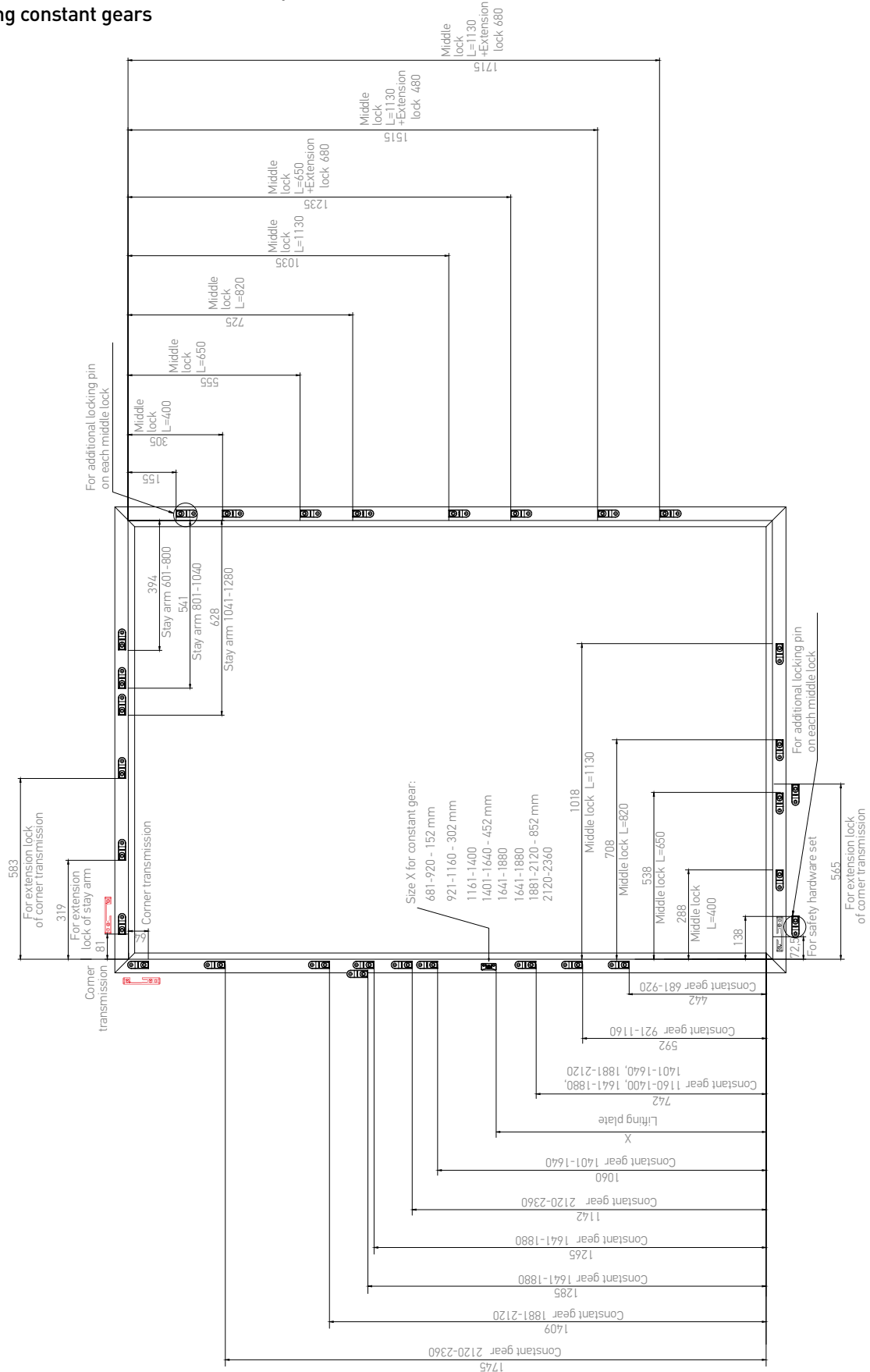


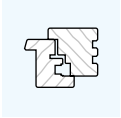
## Section 7 Installation Tools

## Installation of frame hardware components

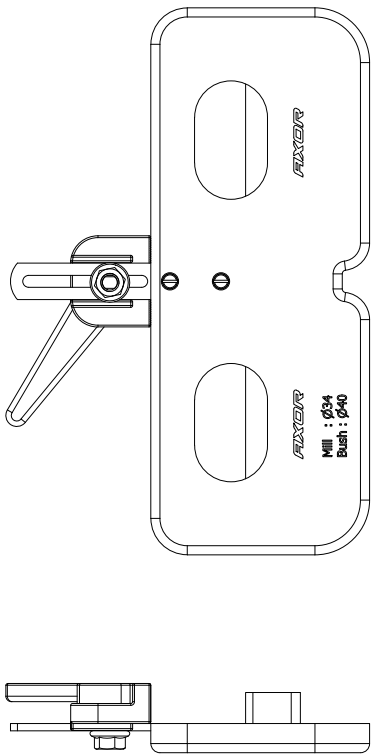


### ► Installation of frame hardware components using constant gears

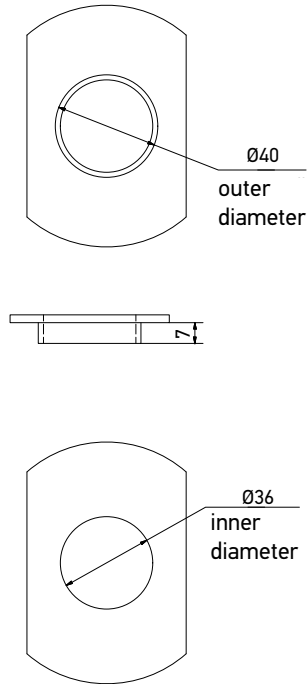




▶ Drilling jig for frame hinges



▶ Ring for cutters \*

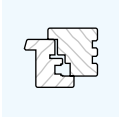


Use cutter Ø34 mm.

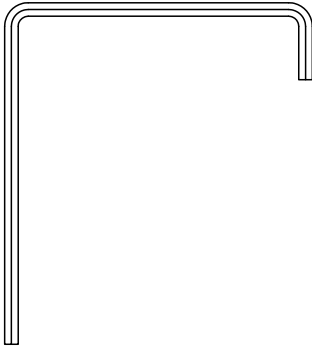
\* recommended

Description	Профильная System	Designation	Tool		Part No.
Drilling jig for frame hinges 18	12/18	For drilling holes for top and bottom frame hinges	Cutter Ø34 mm	50	A7096-00-N09
Drilling jig for frame hinges 20	12/20	For drilling holes for top and bottom frame hinges	Cutter Ø34 mm	50	A7096-10-N09

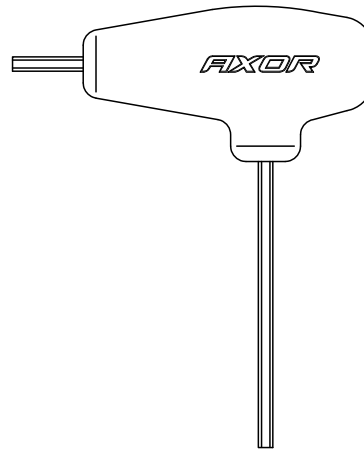




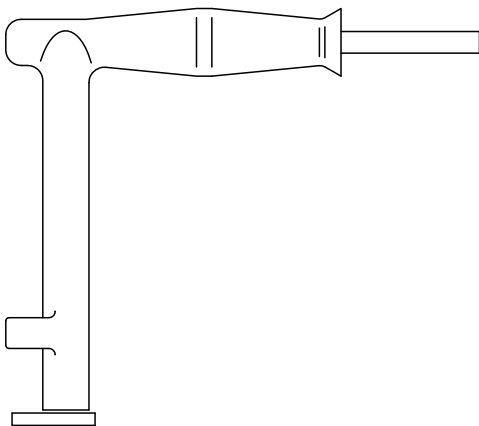
▶ Allen key U type




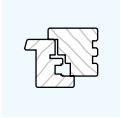
▶ Allen key (L type plastic coated)



▶ Mounting square handle

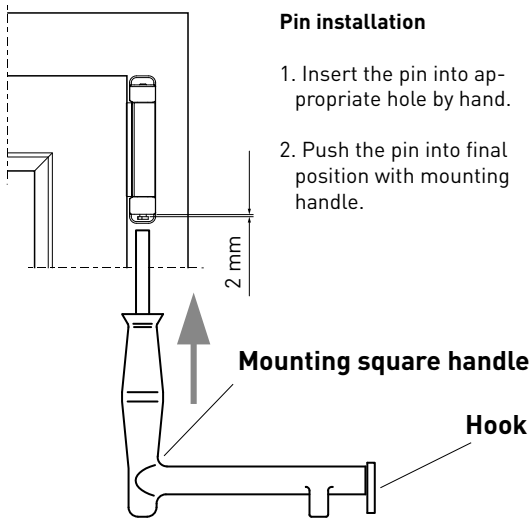


Description	Product group		Part No.
Allen key U type	K3-S+	100	A7020-00-N03
Allen key (L type plastic coated)	K3-S+	12	A7021-00-N03
Mounting square handle	K3-S+	1	A7022-00-N03



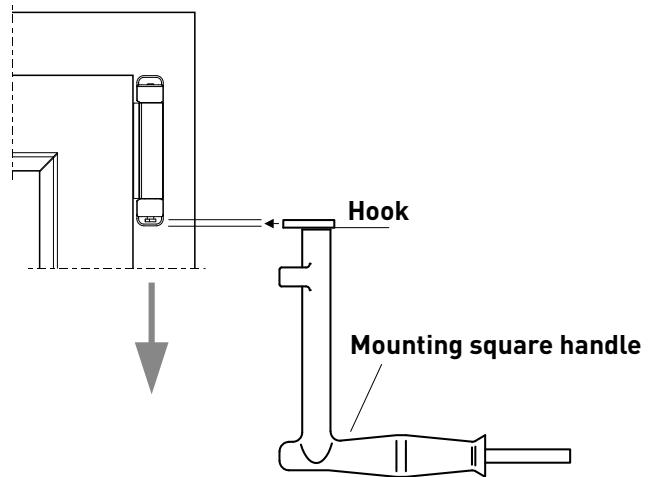
### Sash installation

The pin should be installed only when the sash has been closed and the handle is in "Tilt" position.  
Caution!  
After the pin has been installed to rotate the handle to "Closed" position.

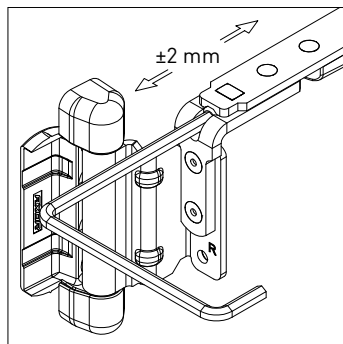
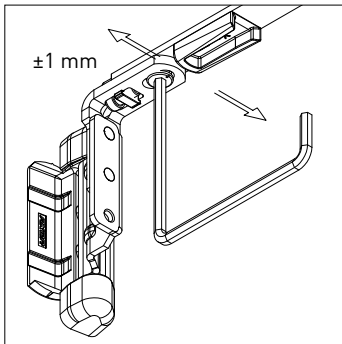


### Sash removing

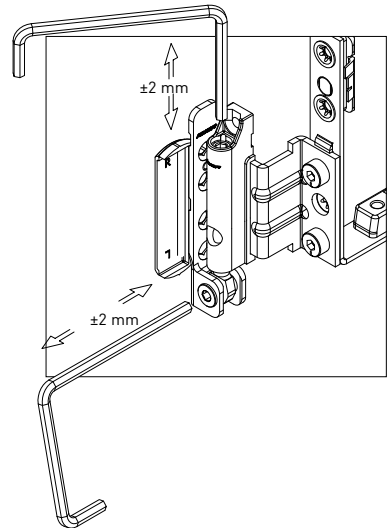
The pin should be removed only when the window has been closed and the handle is in "Tilted" position. Then, after the pin has been removed to turn the handle to "Open" position and to remove the sash.



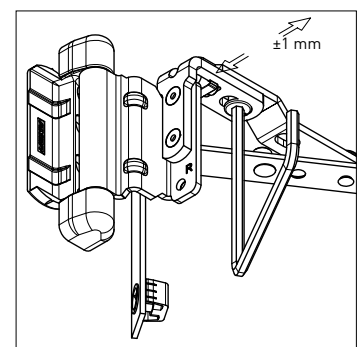
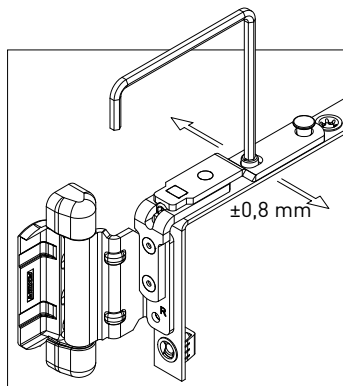
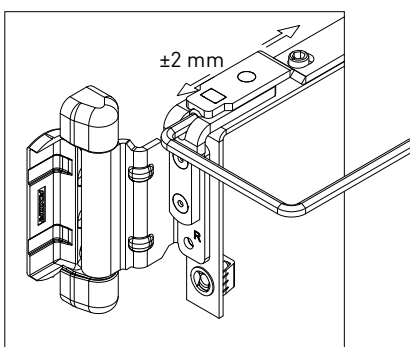
### Stay arm

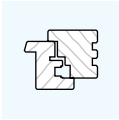


### Drill-in corner hinge



### Turn stay arm





## Section 7 Installation Tools

## Installation recommendations Adjustment

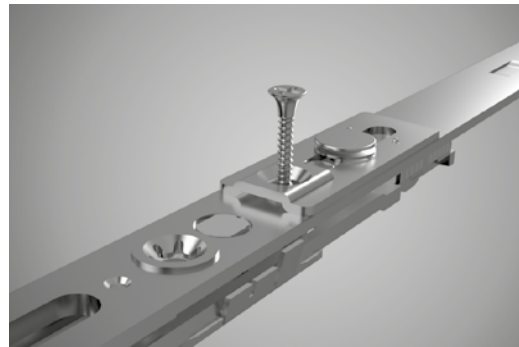
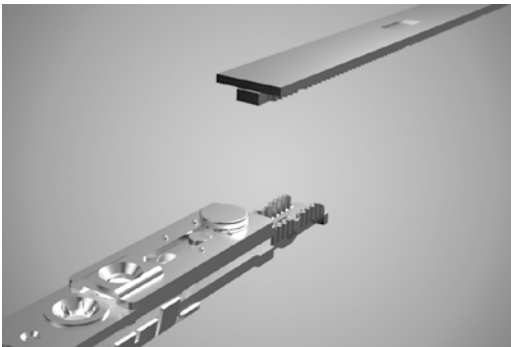
**AXOR**™

Locking pin	CP	Rotation direction	Adjustment limits
			±1

Locking pin	MP	Rotation direction	Adjustment limits
			±1

▶ The straight cut and connection with a special slider



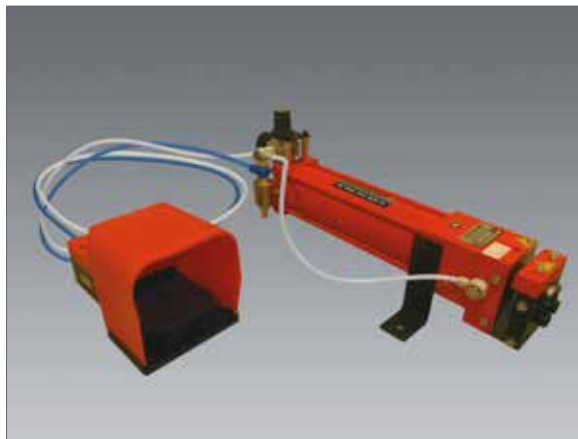


### ▶ Punching machines



#### BS - Multi - Max® PS 100

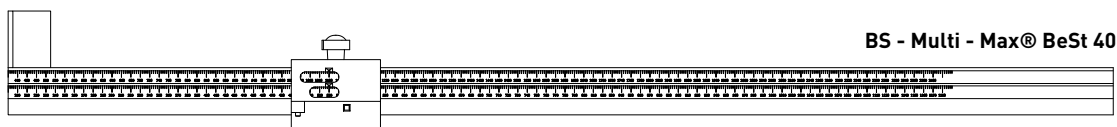
- Integrated blow out function
- Straight cuts
- Punching Force at 6bar.....15 kN
- Working Pressure min. ....6-8 bar
- Working Pressure max. ....8 bar
- Foot switch
- Designed for small up to medium size production



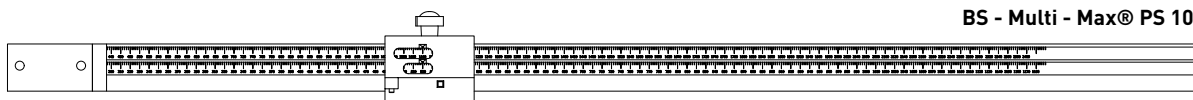
#### BS - Multi - Max® BeSt40

- Hydropneumatic drive
- Straight cut
- Working Pressure .....6-8 bar
- Punching Force at 6,75 bar .....40 kN
- Max. punching force.....60 kN
- Max. pressure.....8 bar
- Foot control

### ▶ The rulers

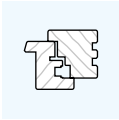


BS - Multi - Max® BeSt 40

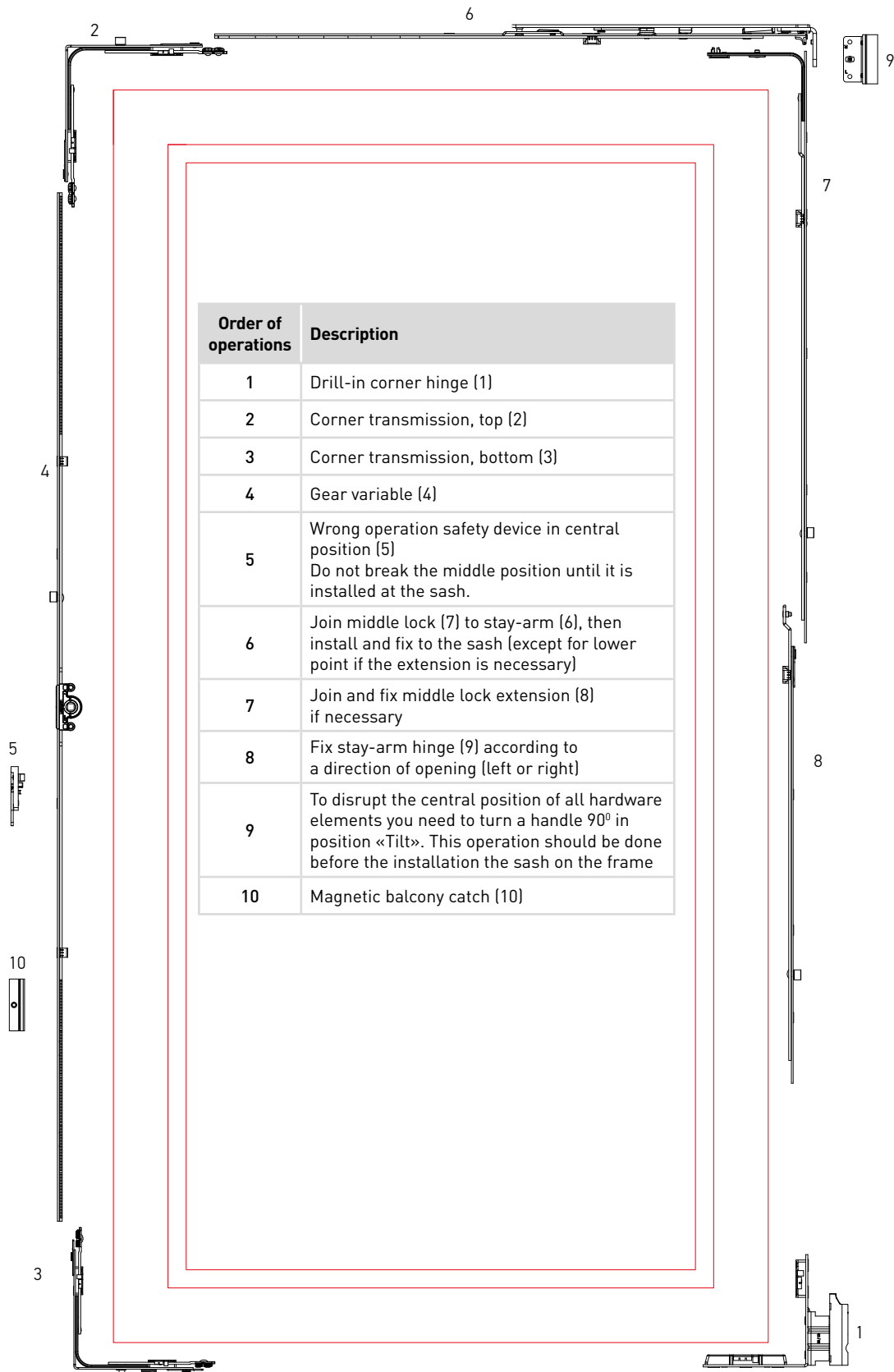


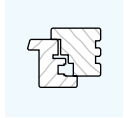
BS - Multi - Max® PS 100

Description	Part No.
Punching machine BS-Multi-MAX BeSt40 with foot control	BeSt40-SVGL20
Punching machine BS-Multi-MAX PS100 with foot control	PS100-4-G-A-O-2-0
The ruler BS-Multi-MAX BeSt 40 - A4	A7041-01-N03
The ruler BS-Multi-MAX PS100 - A4	A7041-02-N03

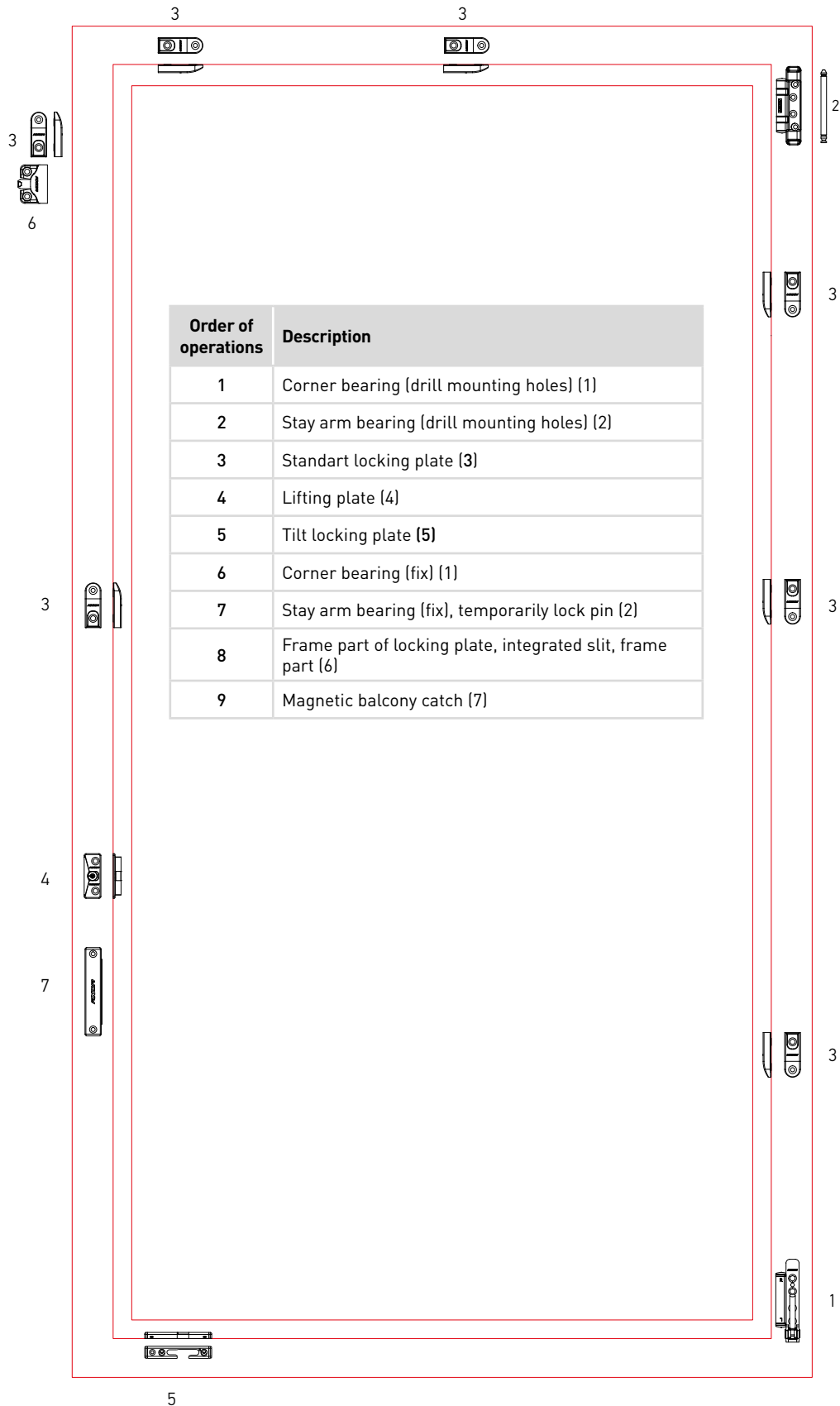


► **An order of the hardware installation for a sash**





► An order of the hardware installation for a frame



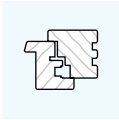


**AXOR**<sup>TM</sup>

# KOMFORT LINE K-3

Profile-dependent elements

**AXOR**


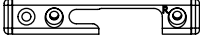
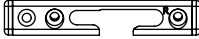

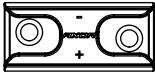

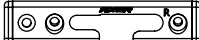
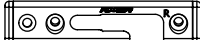
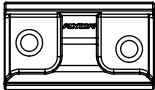








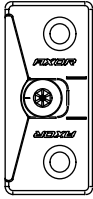
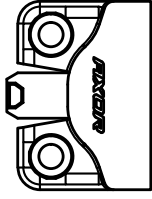

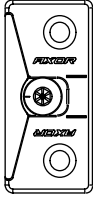
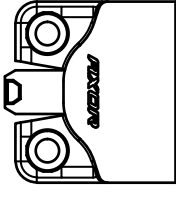

## Section 8

### Profile-dependent elements

## Profile-dependent elements list



Profile	B	Locking plate	Safety locking plate	Tilt locking plate	Tilt locking plate First Tilt
18/8-12/18(20)-09	9	 A7068-09-N03	 S6030-09-L/R03	 S6032-09-L/R03	 S6052-09-L/R03
24/8-12/18(20)-13	13	 A7069-13-N03	 S6031-13-L/R03	 S6033-13-L/R03	 S6053-13-L/R03
30/20-12/18(20)-13	13	 A7087-13-N03	 S6049-13-L/R03	 S6050-13-L/R03	 S6051-13-L/R03

Profile	B	Lifting plate	Adjustable integrated slit	Balcony Latch
18/8-12/18(20)-09	9	 A6036-09-N03	 A6030-09-N03	 A7113-00-N03
24/8-12/18(20)-13	13	 A6037-13-N03	 A6035-13-N03	 A7114-00-N03
30/20-12/18(20)-13	13	 A6038-13-N03	 A6041-13-N03	 A7115-00-N03





AXOR INDUSTRY  
32, Truda Avenue,  
Dnipro, 49041, Ukraine.  
[www.axorindustry.com](http://www.axorindustry.com)