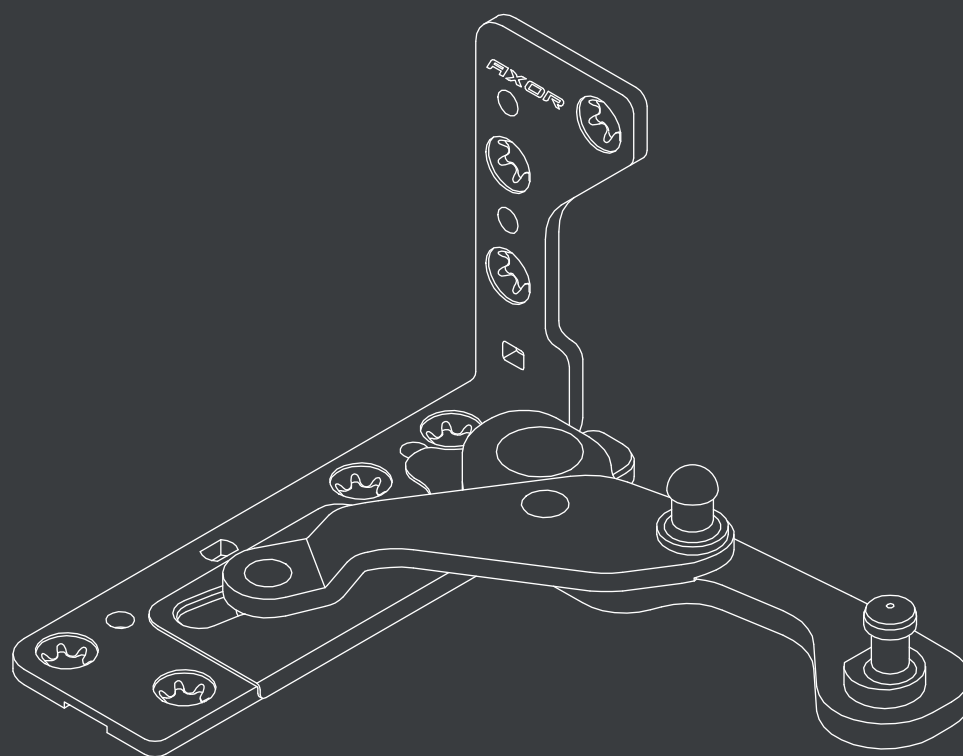


ELITE+

Concealed hinges system for PVC profiles





	Introduction
1	Concealed hinges system
2	Concealed stay arm system
3	Hardware overviews
4	Tools / Installation / Adjustments
5	Profile-dependent elements



Concealed hinges system ELITE+

Introduction

Concealed hinges system ELITE+

The constructive of fully concealed hinges system is different from traditional one. Mechanical elements of hinges are completely hidden and integrated into the clearance (the distance between a frame and window's sash rebate). Visually, they are invisible, both indoors and from the street. Such constructive has a few advantages: modern window design and additional functionality of a window structure.

This catalog presents variants of fully concealed hinges' completing with window hardware Komfort Line K-3 Smart & Quick system for PVC windows. What allows producing translucent structures with different levels of resistance to burglary. This is achieved through the use of mushroom shaped cams in combination with the required number of security locking plates with which the final product is equipped.

ELITE+ benefits

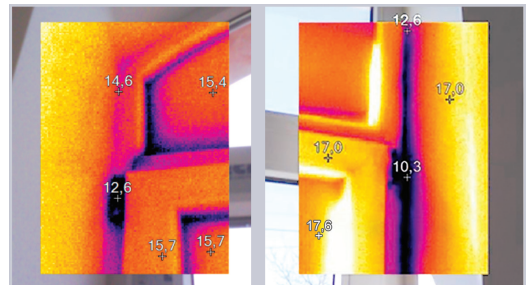


Original design

Only a window - and nothing more! Concealed hinges make it possible to create unique window design and combine it harmoniously with an interior. The absence of visible elements allows you choosing the color of window's lamination without reference to the shade of decorative covers. Windows with concealed hinges are particularly relevant when creating original and elegant interiors, as well as the reconstruction of historical objects.

Improved thermal insulation

Through the use of concealed hinges it is providing additional gasket pressure sashes to a frame and bigger air-tightness of a structure. In addition, concealed hinges do not interrupt the contour of window seal, therefore blowing / frosting in area of hinges are excluded.



Increased burglary resistance

Concealed hinges are not visible from outside, so an intruder is extremely difficult to reach mechanism in hinges area. Together with other anti-burglar elements of a window, concealed hinges are able to protect a house from uninvited guests, including the anti-burglar class RC2.

Compatible with any window jamb

Due to the construct of concealed hinges, when a window is opened, a sash is moving to the center. This simplifies requirements of window jambs' location.



Convenient opening width

Concealed hinges make it possible to open a window's sash up to 100 degrees. Taking into account, features of various window designs and individual needs in operation of a window, it is possible to install an opening limiter. This will limit the turning of a sash at a certain angle and prevent its strikes against of a window jamb.

AXOR INDUSTRY reserves the right in the process of further improvement and development to make technical changes to products ELITE + and Komfort Line K-3 Smart & Quick, as well as to change packaging norms.



The quality of elements' plating

Introduction

Protective plating

The quality of window hardware's plating parts has a great influence on its work, life and appearance.

Special technology of galvanic zinc plating allows obtaining high-quality coating that provides details of the hardware KOMFORT LINE K-3 Smart & Quick required level of corrosion protection.

At the same time, the silver color of window hardware's surface performs decorative function, allowing it to combine successfully with rest window's elements.



Causes of corrosion on the hardware

- 1) Prolonged exposure of high humidity (more than 70%).
- 2) Air polluted with industrial gases, containing compounds of various acids and exposure of salt mists.
- 3) Mechanical damages of the surface during installation or maintenance, violating integrity of the plating.
- 4) Detergents containing alkalis, acids, etc.
- 5) Frequent formation of condensation on the window hardware due to sudden temperature fluctuations.
- 6) Contamination with building materials, in particular with cement or gypsum plaster.

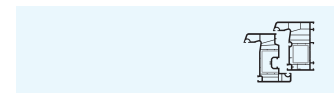
Guidelines for saving surface plating quality

- 1) Avoid contact with the building materials (plaster, cement, various mortars and construction dust).
- 2) Avoid exposure to the window hardware aggressive acid - containing vapors, and exposure of salt mist
- 3) Do not use seals that can absorb and retain moisture.
- 4) Clean the window hardware only with neutral pH products in diluted form.
- 5) Avoid mechanical damage to the surface with construction, installation and cleaning tools.

Hardware storage conditions

Rules apply to storage, transportation, unloading and loading. In the forced transportation under the open sky (e.g. production site) during precipitation use tape or similar protection from humidity and dampness. Storage is allowed only in specially enclosed spaces, not outdoors. To avoid condensation during transportation and storage.

- 1) Always keep the packaging closed. Always close (cover) the packages that were opened and do not to put them directly on the floor.
- 2) Transportation is only for vehicles intended for this purpose (if it is possible, on pallets with stretch tape).
- 3) Hardware mustn't be wet. Packaging must remain dry. (Recommended: Temperature in a warehouse - 15-25°C; Relative humidity - less than 50%).
- 4) In the case of wet packaging, remove parts from it, dry them and check for corrosion. Pack suitable parts in dry condition.



Basic designations

	maximum sash weight in kg		cylindrical locking pin
	screws (quantity / size)		burglar retardant locking pin
	norm of packing (pieces)		drill bit (diameter)



tilt and turn sash



double sash window with main tilt and turn sash



single turn sash



single tilt sash

Presentation of information

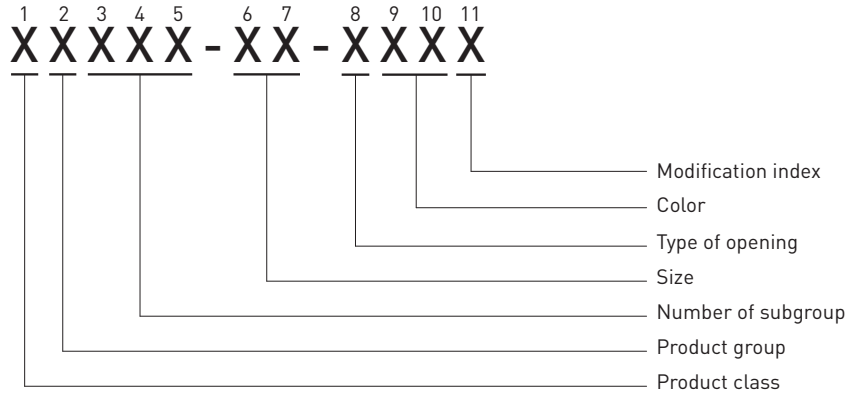
All part number codes in the catalog are presented in alphanumeric form. Decoding part numbers can be found on pages 5-6. The dimensions shown in the catalog are nominal and contain general tolerances.

All sizes are in mm.

Information about sash's dimensions limitations should be taken from catalog's diagrams or installation manual.



Structure of a part number code



**1. Product class
(1st sign)**

XXXXX-XX-XXXX

- “S” – smart line
- “K” – komfort line
- “A” – element refers to both classes

**2. Product group
(2nd sign)**

X**X**XXX-XX-XXXX

- “0” – alternative value
- “1” – gear variable
- “2” – corner transmissions
- “3” – stay arm
- “4” – extensions
- “5” – hinges
- “6” – standart locking plates, tilt locking plates
- “7” – locking plates and the other accessories
- “8” – alternative value
- “9” – alternative value

**3-5. Subgroup number
(3rd, 4th, 5th sign)**

XX**XXX**-XX-XXXX

Additional information about product's subgroup.
 Example: group “gears”, subgroup “double sash lever espagnolette variable”.

**6-7. Size
(6th, 7th sign)**

XXXXX-**XX**-XXXX

Important dimensions of the product such as the length of the axis, etc.

**8. Type of opening
(8th sign)**XXXXX-XX-**X**XXX

"N" – universal

"R" – right

"L" – left

**9, 10. Color and plating
(9th and 10th sign)**XXXXX-XX-X**XX**X

The ninth symbol indicates the color hue:

0 – basic color. For example, RAL9016 is the basic for white color, it is indicated by the code **01**; RAL8022 is the basic for brown color – **02**, etc.

1 – additional color. For example, RAL8019 for brown color – **12**.

2...9 – following additional colors.

The ninth symbol indicates the color:

0 – plating

4 – champagne

8 – steel surface

1 – white

5 – gold

9 – special colors

2 – brown

6 – bronze

3 – silver

7 – black

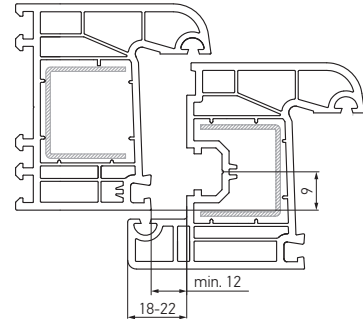
By default, all surfaces are glossy and this is not indicated separately in the article. Matte surfaces are marked with the letter **M** after the 10th symbol.

**11. Modification index (A, B, C)
(11th sign)**

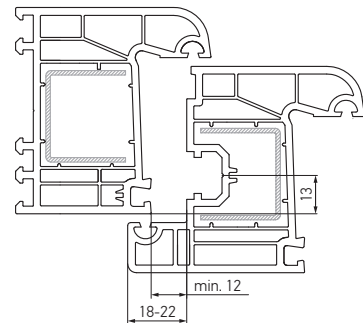


The single sash constructions

Sash rebate gap (A):	min. 12 mm
Sash overlap (C):	18 – 22 mm
Sash groove position (B):	9 mm



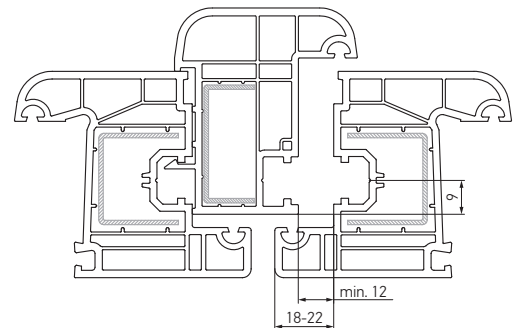
Sash rebate gap (A):	min. 12 mm
Sash overlap (C):	18 – 22 mm
Sash groove position (B):	13 mm



The double sash constructions with opposite hardware groove

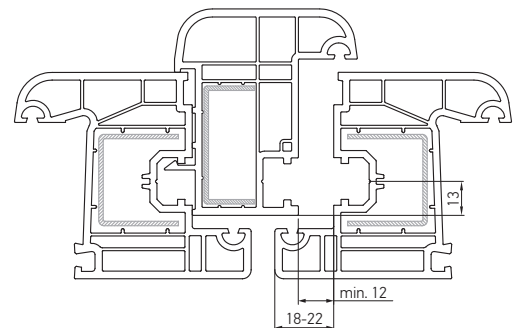
Sash rebate gap (A):	min. 12 mm
Sash overlap (C):	18 – 22 mm
Sash groove position (B):	9 mm

The handling of a passive sash with double sash's gears K1002-XX-N03

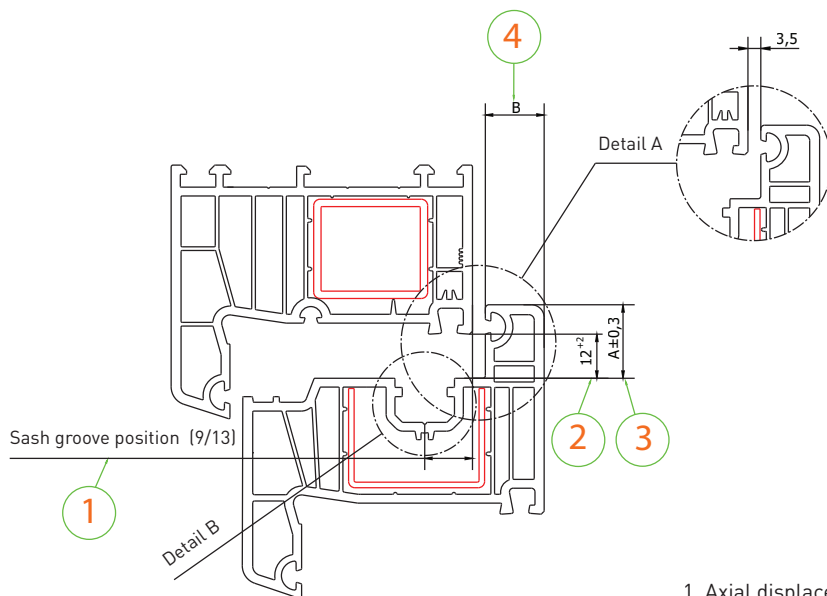


Sash rebate gap (A):	min. 12 mm
Sash overlap (C):	18 – 22 mm
Sash groove position (B):	13 mm

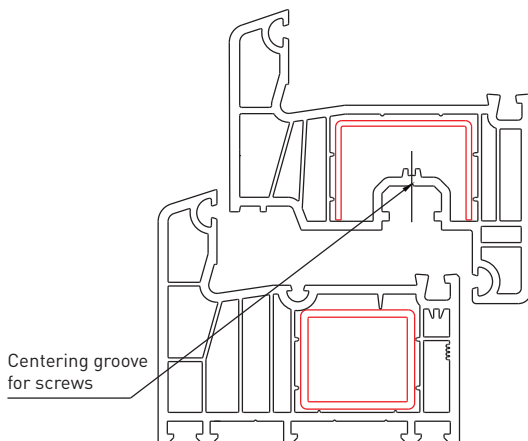
The handling of a passive sash with double sash's gears K1002-XX-N03



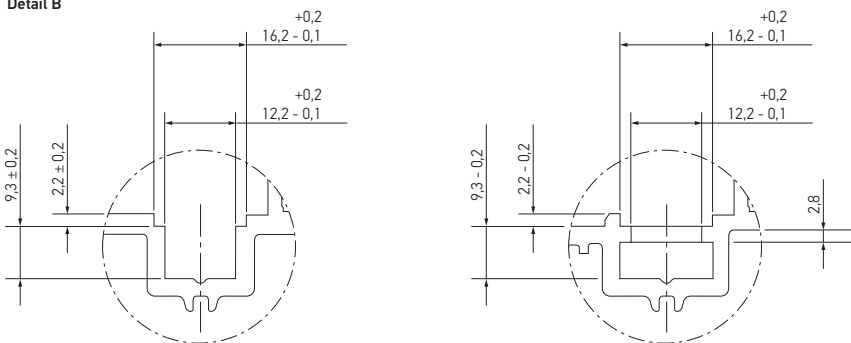
The information about profile-dependent elements you find at the profile list



1. Axial displacement of the fitting groove.
2. Distance required moving the hardware.
3. Value of the sash overlap.
4. Thickness of sash's overlap. The value on which depends necessary clearance for hinge operation.



Detail B



Dimensional compliance for for PVC profiles according to RAL as of February 1998

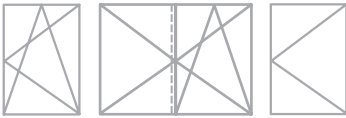
Gütegemeinschaft Schösser und Beschläge e.V., Offerstr. 12, 42551 Velbert



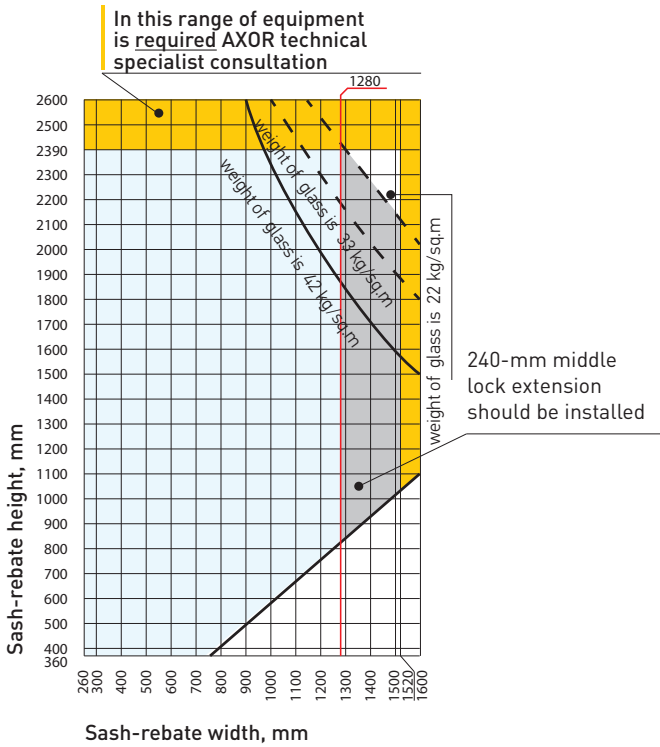
Application range diagrams

Introduction

Single turn, tilt and turn and double sash design



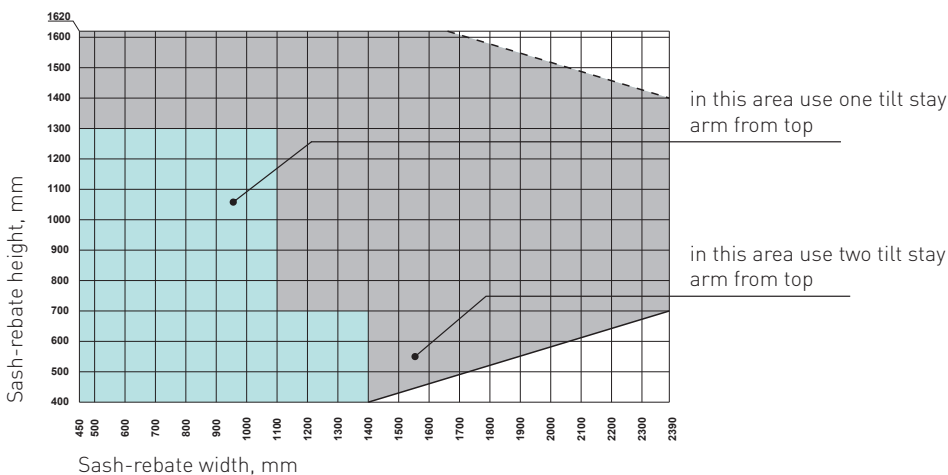
Valid sash's size
 Permissible sash's weight for this range is 130 kg max.
 1 mm / m² glass thickness = 2.5



Tilt sash



Limit of sash's dimensions.
 Maximum permissible sash's weight is 50 kg



AXOR[®]

ELITE +

Concealed hinges system

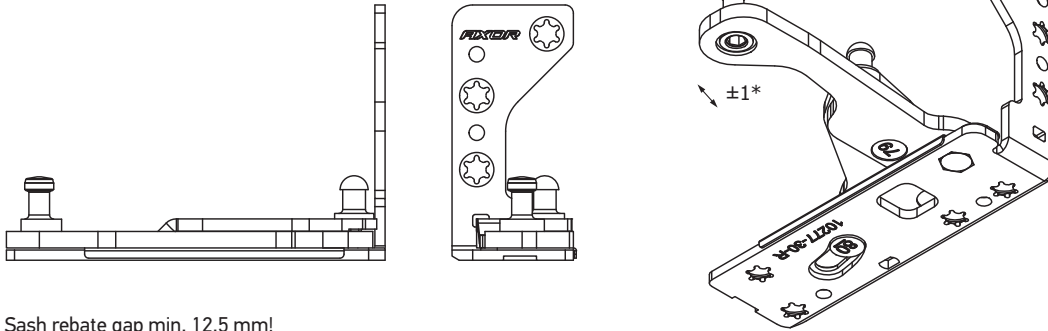
AXOR



Concealed bottom hinge

Concealed hinges system

Concealed bottom hinge

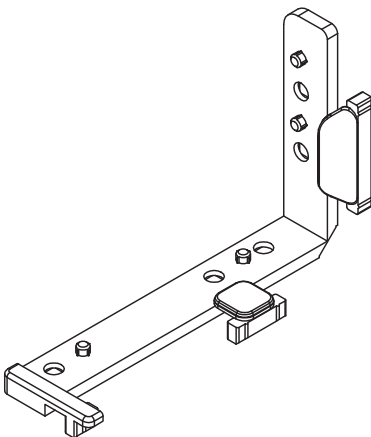


Sash rebate gap min. 12,5 mm!

* adjustment of gasket pressure, mm;

** see the section "Profile-dependent elements"

Concealed hinge packer**



Description	Side opening	A	C	B	kg			Part No.
Concealed bottom hinge PVC, 9 mm, left	L	12	—	9	130	7	25	A5025-09-L03
Concealed bottom hinge PVC, 9 mm, right	R	12	—	9	130	7	25	A5025-09-R03
Concealed bottom hinge PVC, 13 mm, left	L	12	—	13	130	7	25	A5025-13-L03
Concealed bottom hinge PVC, 13 mm, right	R	12	—	13	130	7	25	A5025-13-R03
Description	Side opening	A	C	B	kg			Part No.
Template for drilling, concealed hinges group, 30 mm	L/R	12	—	—	—	Ø3	—	A7145-02-N03

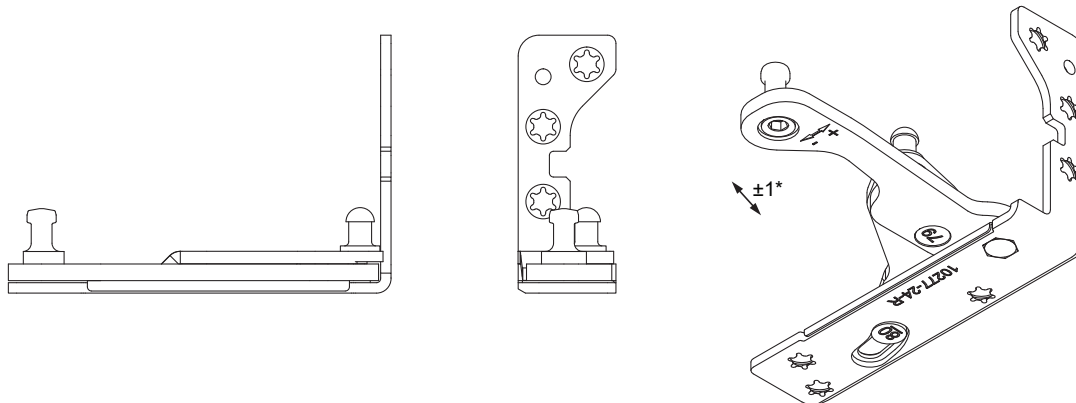
A - Sash rebate gap / C - Sash overlap / B - Sash groove position



**Concealed bottom hinge
for aluminium doorstep**

Concealed hinges system

Concealed bottom hinge for aluminium doorstep, 13 mm

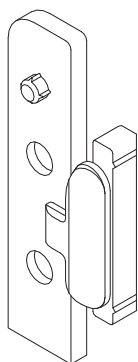


Sash rebate gap min. 12,5 mm!

* adjustment of gasket pressure, mm;

** see the section "Profile-dependent elements"

Concealed hinge packer**



Description	Side opening	A	C	B	kg			Part No.
Concealed bottom hinge for aluminium doorstep, 13 mm, left	L	12	—	13	130	6	25	A5055-13-L03
Concealed bottom hinge for aluminium doorstep, 13 mm, right	R	12	—	13	130	6	25	A5055-13-R03
Description	Side opening	A	C	B	kg			Part No.
Template for drilling, concealed hinges group, 24 mm	L/R	12	—	—	—	Ø3	—	A7145-01-N03

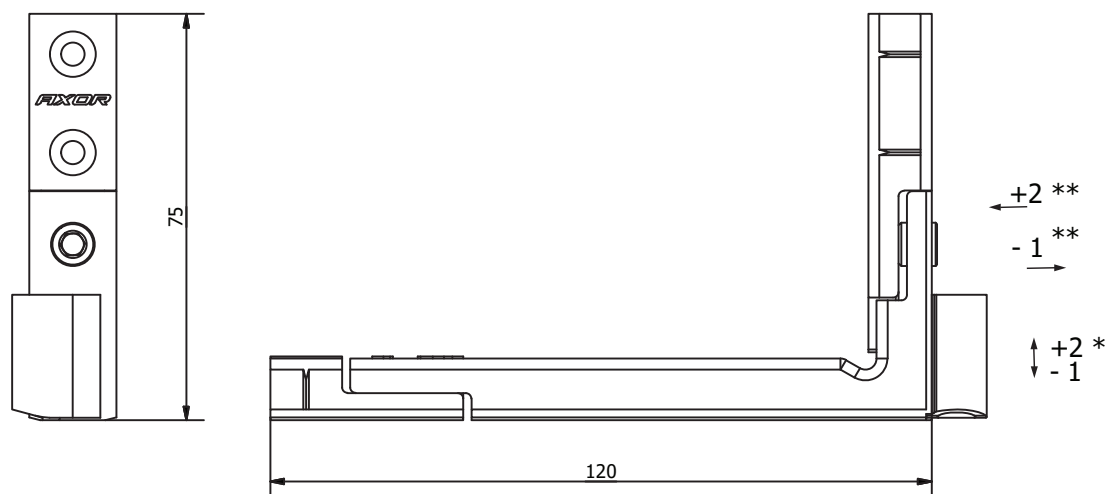
A - Sash rebate gap / C - Sash overlap / B - Sash groove position



Concealed bottom sash hinge

Concealed hinges system

Concealed bottom sash hinge



Sash rebate gap min. 12,5 mm!

* vertical adjustment, mm;

** horizontal adjustment, mm

Description	Side opening	A	C	B	kg			Part No.
Concealed bottom sash hinge, 9 mm, left	L	12	—	9	130	4	100	A5027-09-L03
Concealed bottom sash hinge, 9 mm, right	R	12	—	9	130	4	100	A5027-09-R03
Concealed bottom sash hinge, 13 mm, left	L	12	—	13	130	4	100	A5027-13-L03
Concealed bottom sash hinge, 13 mm, right	R	12	—	13	130	4	100	A5027-13-R03

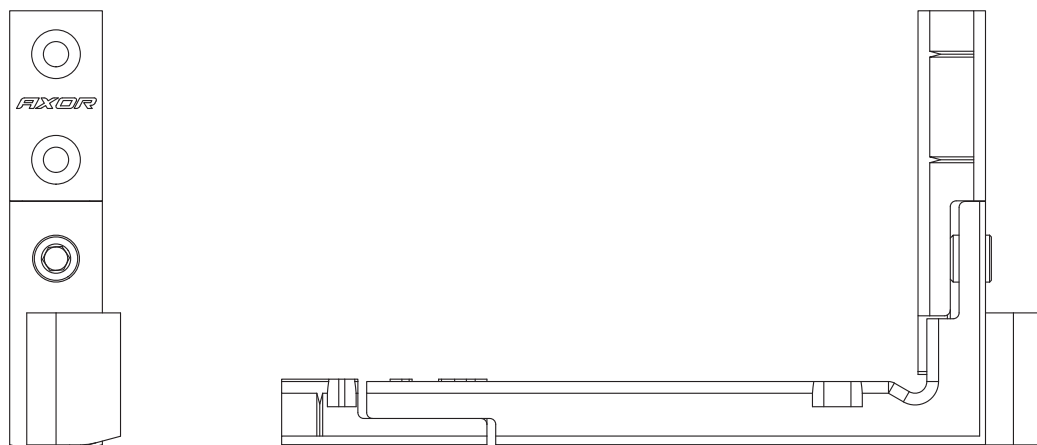
A - Sash rebate gap / C - Sash overlap / B - Sash groove position



Concealed bottom sash hinge for aluminium doorstep

Concealed hinges system

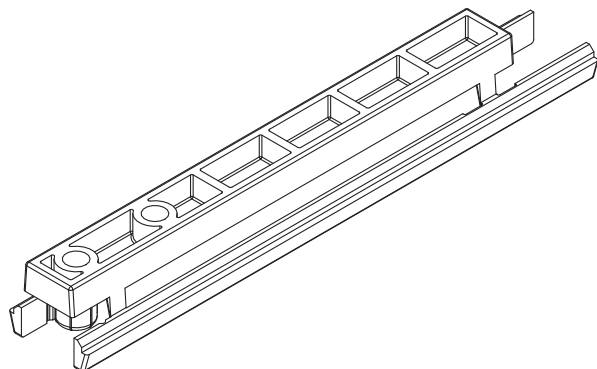
Concealed bottom sash hinge for aluminium doorstep, 13 mm



Sash rebate gap min. 12,5 mm!

* vertical adjustment, mm;
** horizontal adjustment, mm

Cover of concealed hinge for low aluminium doorstep***



*** see the section "Profile-dependent elements"

Description	Side opening	A	C	B	kg			Part No.
Concealed bottom sash hinge for aluminium doorstep, 13 mm, left	L	12	—	13	130	4	100	A5056-13-L03
Concealed bottom sash hinge for aluminium doorstep, 13 mm, right	R	12	—	13	130	4	100	A5056-13-R03

A - Sash rebate gap / C - Sash overlap / B - Sash groove position

AXOR[®]

ELITE +

Concealed stay arm system

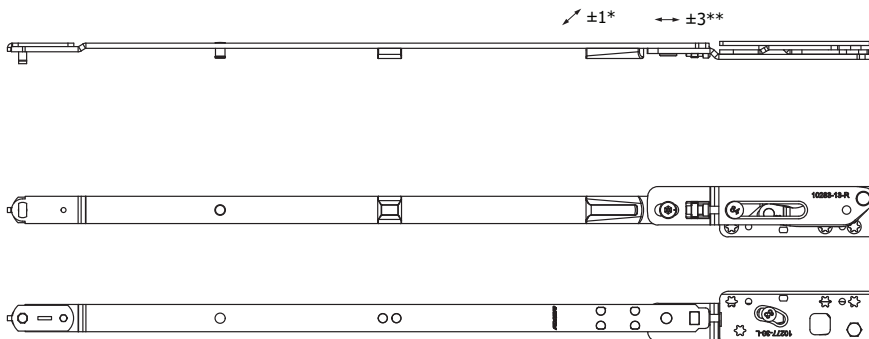
AXOR



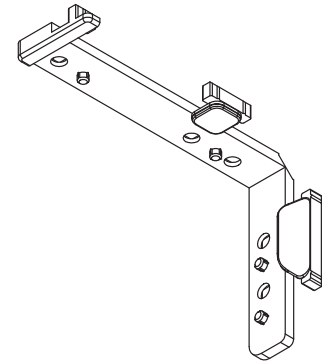
Stay arm

Concealed stay arm system

Concealed stay arm PVC



Concealed hinge packer***



Sash rebate gap min. 12 mm!

* adjustment of gasket pressure, mm;

** horizontal adjustment, mm;

*** see the section "Profile-dependent elements"

Description	SRW (mm)	Side opening	A	C	B	kg			Part No.
Concealed stay arm PVC, 13 mm, 480-800, left	480-800	L	12	—	13	130	7	10	A3001-02-L03
Concealed stay arm PVC, 13 mm, 480-800, right	480-800	R	12	—	13	130	7	10	A3001-02-R03
Concealed stay arm PVC, 13 mm, 801-1040, left	801-1040	L	12	—	13	130	7	10	A3001-03-L03
Concealed stay arm PVC, 13 mm, 801-1040, right	801-1040	R	12	—	13	130	7	10	A3001-03-R03
Concealed stay arm PVC, 13 mm, 1041-1280, left	1041-1280	L	12	—	13	130	7	10	A3001-04-L03
Concealed stay arm PVC, 13 mm, 1041-1280, right	1041-1280	R	12	—	13	130	7	10	A3001-04-R03
Concealed stay arm PVC, 9 mm, 480-800, left	480-800	L	12	—	9	130	7	10	A3002-02-L03
Concealed stay arm PVC, 9 mm, 480-800, right	480-800	R	12	—	9	130	7	10	A3002-02-R03
Concealed stay arm PVC, 9 mm, 801-1040, left	801-1040	L	12	—	9	130	7	10	A3002-03-L03
Concealed stay arm PVC, 9 mm, 801-1040, right	801-1040	R	12	—	9	130	7	10	A3002-03-R03
Concealed stay arm PVC, 9 mm, 1041-1280, left	1041-1280	L	12	—	9	130	7	10	A3002-04-L03
Concealed stay arm PVC, 9 mm, 1041-1280, right	1041-1280	R	12	—	9	130	7	10	A3002-04-R03
Description	SRW (mm)	Side opening	A	C	B	kg			Part No.
Template for drilling, concealed hinges group, 30 mm	—	L/R	—	—	—	—	Ø3	—	A7145-02-N03

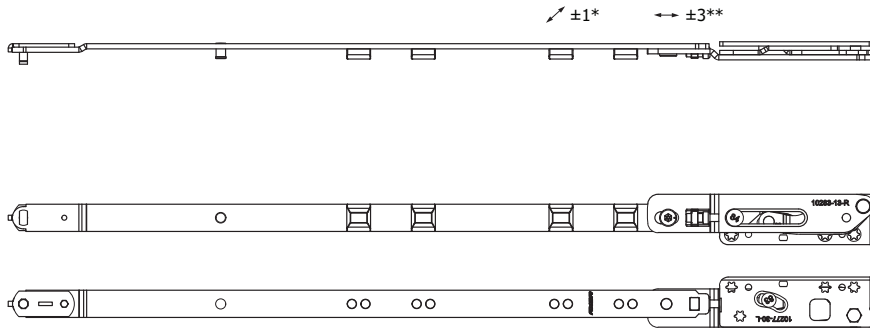
A - Sash rebate gap / C - Sash overlap / B - Sash groove position



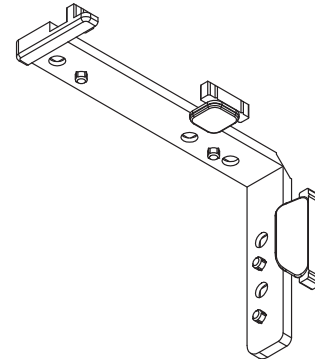
Stay arm “First Tilt”

Concealed stay arm system

Concealed stay arm “First Tilt” PVC



Concealed hinge packer***



Sash rebate gap min. 12 mm!

* adjustment of gasket pressure, mm;

** horizontal adjustment, mm;

*** see the section “Profile-dependent elements”

Description	SRW (mm)	Side opening	A	C	B	kg			Part No.
Concealed stay arm “First Tilt” PVC, 13 mm, 480-800, left	480-800	L	12	—	13	130	7	10	A3005-02-L03
Concealed stay arm “First Tilt” PVC, 13 mm, 480-800, right	480-800	R	12	—	13	130	7	10	A3005-02-R03
Concealed stay arm “First Tilt” PVC, 13 mm, 801-1040, left	801-1040	L	12	—	13	130	7	10	A3005-03-L03
Concealed stay arm “First Tilt” PVC, 13 mm, 801-1040, right	801-1040	R	12	—	13	130	7	10	A3005-03-R03
Concealed stay arm “First Tilt” PVC, 13 mm, 1041-1280, left	1041-1280	L	12	—	13	130	7	10	A3005-04-L03
Concealed stay arm “First Tilt” PVC, 13 mm, 1041-1280, right	1041-1280	R	12	—	13	130	7	10	A3005-04-R03
Concealed stay arm “First Tilt” PVC, 9 mm, 480-800, left	480-800	L	12	—	9	130	7	10	A3006-02-L03
Concealed stay arm “First Tilt” PVC, 9 mm, 480-800, right	480-800	R	12	—	9	130	7	10	A3006-02-R03
Concealed stay arm “First Tilt” PVC, 9 mm, 801-1040, left	801-1040	L	12	—	9	130	7	10	A3006-03-L03
Concealed stay arm “First Tilt” PVC, 9 mm, 801-1040, right	801-1040	R	12	—	9	130	7	10	A3006-03-R03
Concealed stay arm “First Tilt” PVC, 9 mm, 1041-1280, left	1041-1280	L	12	—	9	130	7	10	A3006-04-L03
Concealed stay arm “First Tilt” PVC, 9 mm, 1041-1280, right	1041-1280	R	12	—	9	130	7	10	A3006-04-R03
Description	SRW (mm)	Side opening	A	C	B	kg			Part No.
Template for drilling, concealed hinges group, 30 mm	—	L/R	—	—	—	—	Ø3	—	A7145-02-N03

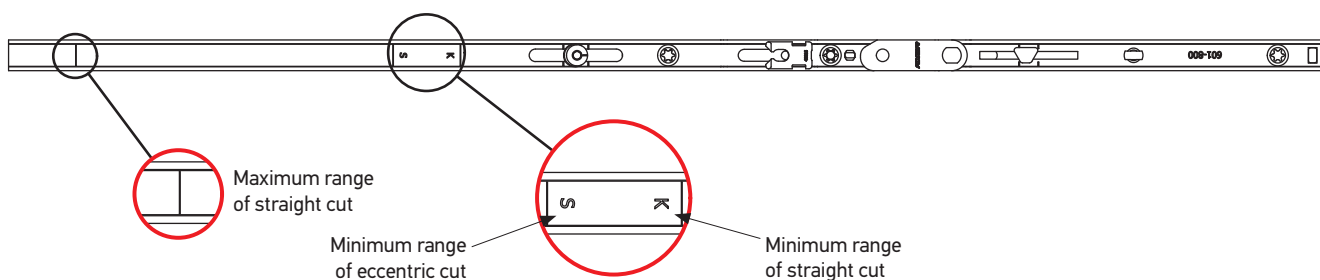
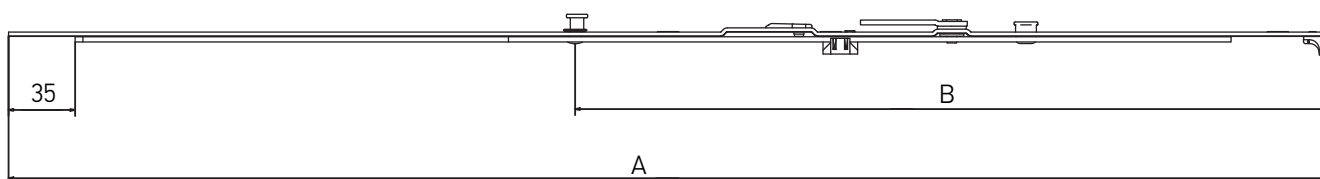
A - Sash rebate gap / C - Sash overlap / B - Sash groove position



Stay arm, sash part

Concealed stay arm system

Stay arm, sash part



Description	SRW (mm)	Side opening	Dimensions						Part No.
			A	B					
Stay arm, sash part 1 L=565, 480-680, left	480-680	L	565	—	—	130	3	20	K3030-06-L03
Stay arm, sash part 1 L=565, 480-680, right	480-680	R	565	—	—	130	3	20	K3030-06-R03
Stay arm, sash part 2 L=685, 600-800, left	600-800	L	685	390	1	130	4	20	K3030-07-L03
Stay arm, sash part 2 L=685, 600-800, right	600-800	R	685	390	1	130	4	20	K3030-07-R03
Stay arm, sash part 3 L=925, 801-1040, left	801-1040	L	925	536	1	130	7	20	K3030-09-L03
Stay arm, sash part 3 L=925, 801-1040, right	801-1040	R	925	536	1	130	7	20	K3030-09-R03
Stay arm, sash part 4 L=1165, 1041-1280, left	1041-1280	L	1165	623	1	130	8	20	K3030-12-L03
Stay arm, sash part 4 L=1165, 1041-1280, right	1041-1280	R	1165	623	1	130	8	20	K3030-12-R03

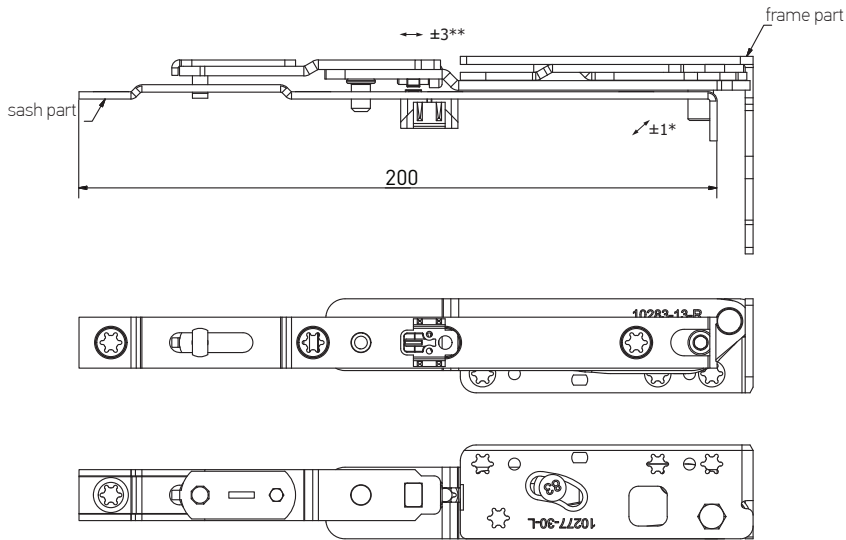
A - Sash rebate gap / C - Sash overlap / B - Sash groove position



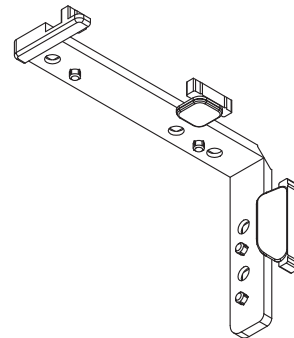
Concealed side hung top hinge

Concealed stay arm system

Concealed side hung top hinge



Concealed hinge packer***



Sash rebate gap min. 12 mm!

* adjustment of gasket pressure, mm;

** horizontal adjustment, mm;

*** see the section "Profile-dependent elements"

Description	SRW (mm)	Side opening	A	C	B	kg			Part No.
Concealed side hung top hinge, 9 mm, left	320-1280	L	12	—	9	130	11	10	A5023-09-L03
Concealed side hung top hinge, 9 mm, right	320-1280	R	12	—	9	130	11	10	A5023-09-R03
Concealed side hung top hinge, 13 mm, left	320-1280	L	12	—	13	130	11	10	A5023-13-L03
Concealed side hung top hinge, 13 mm, right	320-1280	R	12	—	13	130	11	10	A5023-13-R03
Description	SRW (mm)	Side opening	A	C	B	kg			Part No.
Template for drilling, concealed hinges group, 30 mm	—	L/R	—	—	—	—	Ø3	—	A7145-02-N03

A - Sash rebate gap / C - Sash overlap / B - Sash groove position

AXOR[®]

ELITE +

Hardware overviews

AXOR


Section content

Hardware overviews

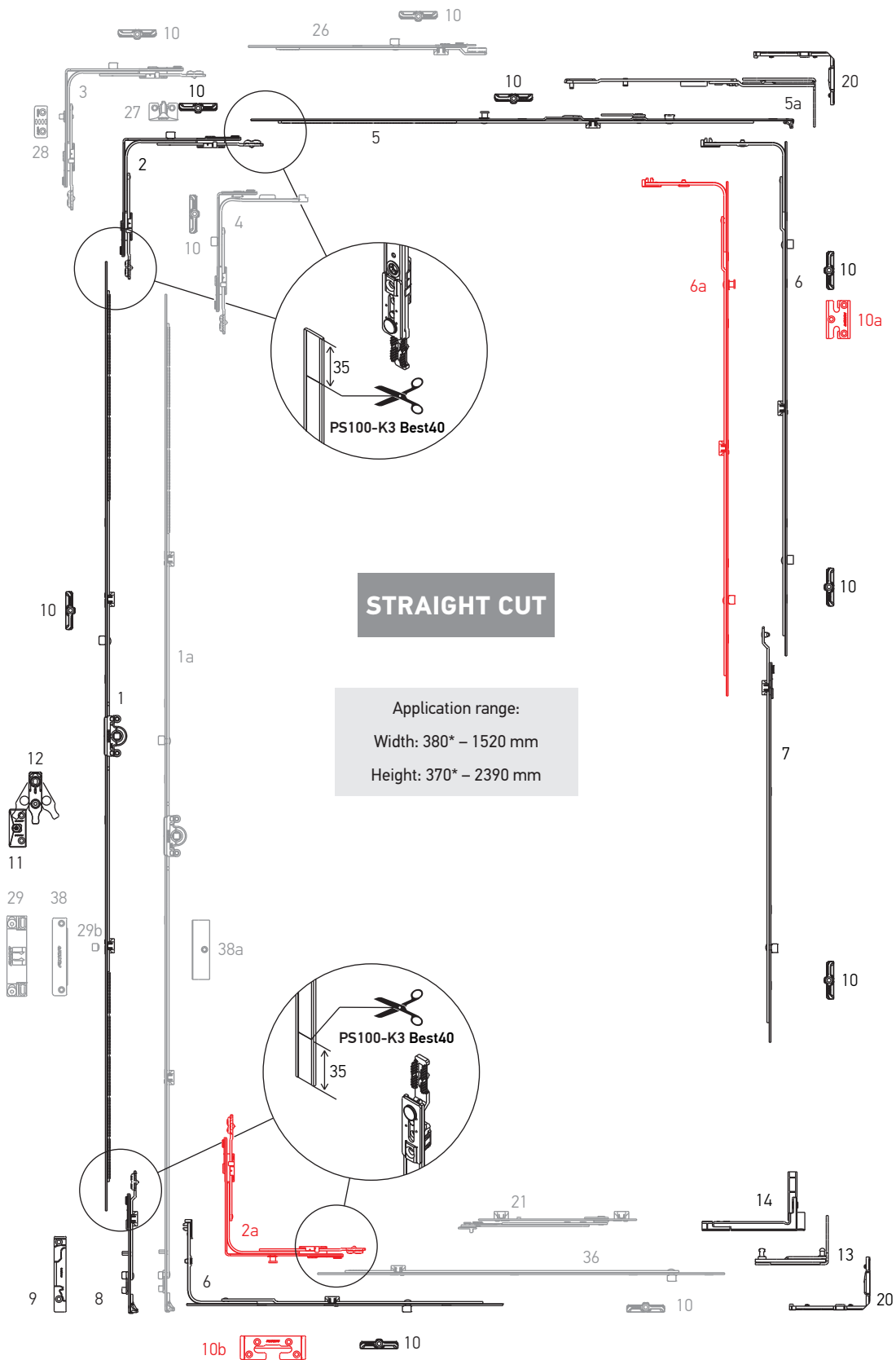
	Pages
Hardware sets with straight cut	
Tilt and turn set	20
Tilt and turn set "First Tilt"	23
Advanced turn set	26
Turn set	28
Advanced tilt set	30
Tilt set	32
Double sash set	33
Double sash set "First Tilt"	37
Hardware sets with eccentric cut	
Tilt and turn set	41
Tilt and turn set "First Tilt"	44
Advanced turn set	47
Advanced tilt set	49
Double sash set	51
Double sash set "First Tilt"	55



Tilt and turn set

Hardware overviews

Tilt and turn set. Straight cut.



* - with narrow corner transmission K2003-00-N03


Tilt and turn set
Hardware overviews
STRAIGHT CUT

N°	Description	Application range by width	Application range by height	Part No.
1	Gear variable 0, L=320, 450-550	—	450-550	K1001-02-N03
	Gear variable 1, L=520, 551-750	—	551-750	K1001-04-N03
	Gear variable 2, L=1000, 751-1230, 1 ML	—	751-1230	K1001-09-N03
	Gear variable 3, L=1200, 950-1430, 1 ML	—	950-1430	K1001-11-N03
	Gear variable 4, L=1480, 1231-1710, 2 ML	—	1231-1710	K1001-14-N03
	Gear variable 5, L=1680, 1431-1910, 2 ML	—	1431-1910	K1001-16-N03
	Gear variable 6, L=2160, 1911-2390, 3 ML	—	1911-2390	K1001-21-N03
1a	Constant tilt-turn gear 0, L=435, G=140, 370-550*	—	370-550	K1004-04-N03
	Constant tilt-turn gear 1, L=385, G=175, 400-500*	—	400-500	K1004-03-N03
	Constant tilt-turn gear 2, L=565, G=200, 480-680*	—	480-680	K1004-05-N03
	Constant tilt-turn gear 3, L=805, G=300, 681-920*, 1 ML	—	681-920	K1004-08-N03
	Constant tilt-turn gear 4, L=1045, G=450, 921-1160*, 1 ML	—	921-1160	K1004-10-N03
	Constant tilt-turn gear 5, L=1285, G=600, 1161-1400*, 1 ML	—	1161-1400	K1004-12-N03
	Constant tilt-turn gear 6, L=1525, G=600, 1401-1640*, 2 ML	—	1401-1640	K1004-15-N03
	Constant tilt-turn gear 7, L=1765, G=600, 1641-1880*, 2 ML	—	1641-1880	K1004-17-N03
	Constant tilt-turn gear 8, L=1765, G=1000, 1641-1880*, 2 ML	—	1641-1880	K1004-18-N03
	Constant tilt-turn gear 9, L=2005, G=1000, 1881-2120*, 2 ML	—	1881-2120	K1004-20-N03
	Constant tilt-turn gear 10, L=2245, G=1000, 2121-2360*, 3 ML	—	2121-2360	K1004-22-N03
2	Corner transmission, 1 ML, 150x150	480-1280	450-2390	K2001-00-N03
2a	Corner transmission, 1 MR, 150x150	480-1280	450-2390	K2005-00-N03
3	Corner transmission, integrated slit, 1 ML, 150x150, left	480-1280	450-2390	K2004-00-L03
	Corner transmission, integrated slit, 1 ML, 150x150, right	480-1280	450-2390	K2004-00-R03
4	Narrow corner transmission, 1 ML, 50x150	380-480	450-2390	K2003-00-N03
		480-680	370-550	
5	Stay arm, sash part 1, L=565, 480-680, left / right	480-680	—	K3030-06-L/R03
	Stay arm, sash part 2, L=685, 600-800, left / right	601-800	—	K3030-07-L/R03
	Stay arm, sash part 3, L=925, 801-1040, left / right	801-1040	—	K3030-09-L/R03
	Stay arm, sash part 4, L=1165, 1041-1280, left / right	1041-1280	—	K3030-12-L/R03
5a	Concealed stay arm PVC, 13 mm, 480-800, left / right	480-800	—	A3001-02-L/R03
	Concealed stay arm PVC, 13 mm, 801-1040, left / right	801-1040	—	A3001-03-L/R03
	Concealed stay arm PVC, 13 mm, 1041-1280, left / right	1041-1280	—	A3001-04-L/R03
	Concealed stay arm PVC, 9 mm, 480-800, left / right	480-800	—	A3002-02-L/R03
	Concealed stay arm PVC, 9 mm, 801-1040, left / right	801-1040	—	A3002-03-L/R03
	Concealed stay arm PVC, 9 mm, 1041-1280, left / right	1041-1280	—	A3002-04-L/R03
6	Middle lock L=400, 2 ML	600-1000	600-1000	K4004-04-N03
	Middle lock L=650, 2 ML	850-1250	850-1250	K4004-06-N03
	Middle lock L=720, 2 ML	920-1320	920-1320	K4004-07-N03
	Middle lock L=820, 2 ML	1251-1430	1251-1430	K4004-08-N03
	Middle lock L=1130, 3 ML	—	1251-1730	K4004-11-N03



Tilt and turn set

Hardware overviews

STRAIGHT CUT

Nº	Description	Application range by width	Application range by height	Part No.
6a	Middle lock L=400, 1 MR + 1 ML	600-1000	600-1000	K4008-04-N03
	Middle lock L=650, 1 MR + 1 ML	850-1250	850-1250	K4008-06-N03
	Middle lock L=820, 1 MR + 1 ML	1251-1430	1251-1430	K4008-08-N03
	Middle lock L=1130, 1 MR + 2 ML	—	1251-1730	K4008-11-N03
7	Middle lock extension, 1 ML, 480 mm	—	1710-2210	K4005-05-N03
	Middle lock extension, 1 ML, 680 mm	—	2211-2390	K4005-07-N03
8	Bottom extension	—	450-800	K4009-00-N03
		—	801-2390	K4002-00-N03
9	Tilt locking plate, right	—	—	**
	Tilt locking plate, left	—	—	**
10	Locking plate	—	—	**
10a	Locking plate safety	—	—	**
10b	Tilt locking plate safety	—	—	**
11	Lifting plate	—	751-2390	**
12	Wrong operation safety device with sash lifter	—	751-2390	A7001-00-N03
13	Concealed bottom hinge PVC, 9 mm, left	—	—	A5025-09-L03
	Concealed bottom hinge PVC, 9 mm, right	—	—	A5025-09-R03
	Concealed bottom hinge PVC, 13 mm, left	—	—	A5025-13-L03
	Concealed bottom hinge PVC, 13 mm, right	—	—	A5025-13-R03
14	Concealed bottom sash hinge, 9 mm, left	—	—	A5027-09-L03
	Concealed bottom sash hinge, 9 mm, right	—	—	A5027-09-R03
	Concealed bottom sash hinge, 13 mm, left	—	—	A5027-13-L03
	Concealed bottom sash hinge, 13 mm, right	—	—	A5027-13-R03
20	Concealed hinge packer, 13 mm, left	—	—	A7**-13-L03
	Concealed hinge packer, 13 mm, right	—	—	A7**-13-R03
21	Sash turning restrictor	—	—	A7110-00-N03
26	Extension lock 275 mm, 1 ML	—	—	K4003-02-N03
27	Locking plate, integrated slit	—	—	**
28	Locking plate for integrated slit (frame part)	—	—	**
29	Balcony catch	—	—	A7184-13-N03
29b	Balcony locking pin	—	—	A7207-00-N03
36	Extension lock for corner transmission 480 mm, 1 ML	—	—	K4010-00-N03
	Extension lock for corner transmission 680 mm, 1 ML	—	—	K4010-07-N03
	Extension lock for corner transmission 880 mm, 2 ML	—	—	K4010-09-N03
	Extension lock for corner transmission 480 mm, 1 MR	—	—	K4030-00-N03
38	Magnetic balcony catch, frame part	—	—	A7053-00-N03
38a	Magnetic balcony catch, sash part	—	—	A7055-***-N03

* – with offset relative to center

** – see the section "Profile-dependent elements" of catalogues KOMFORT LINE K-3 Smart & Quick or ELITE+

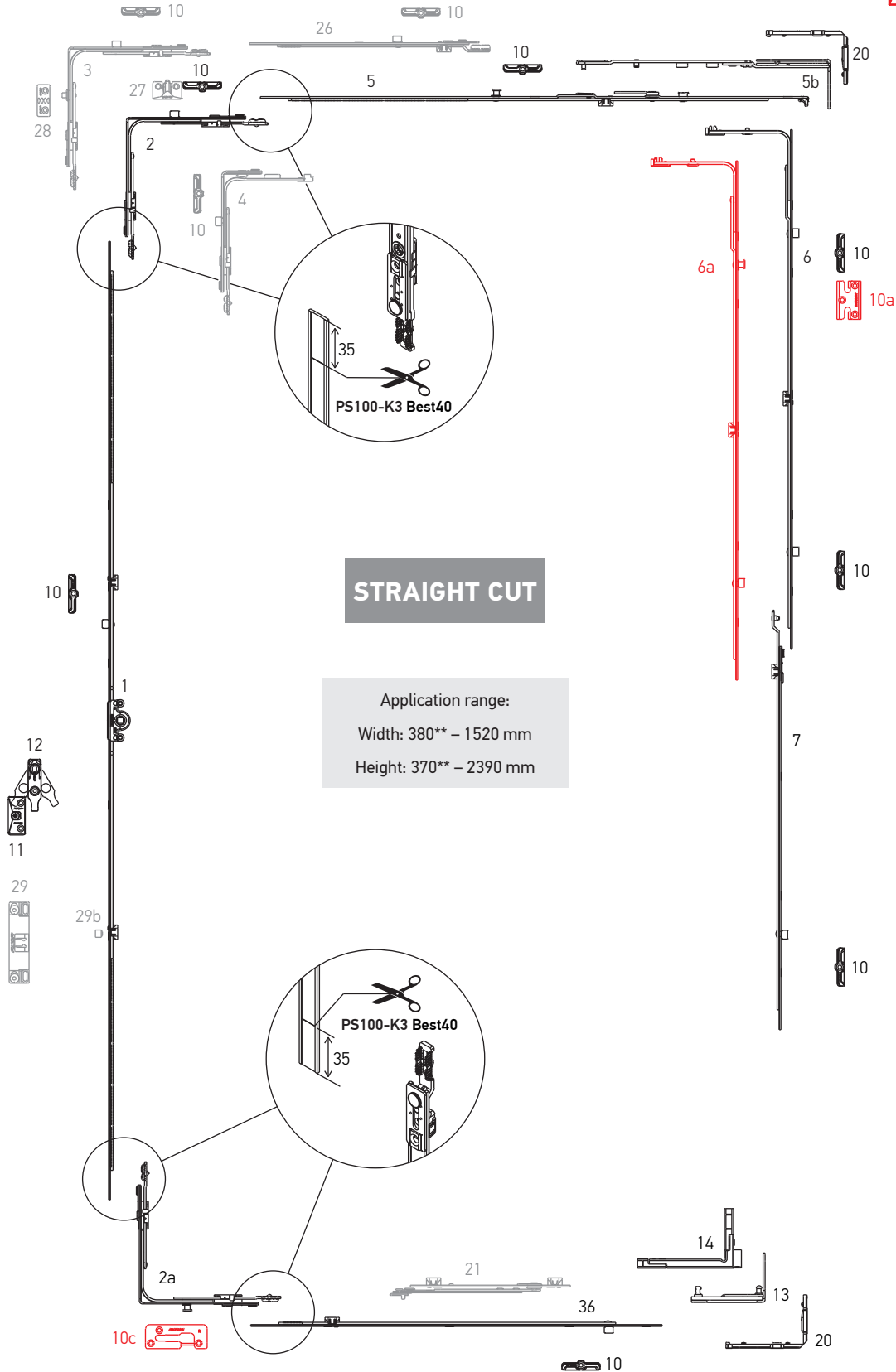
*** – according to displacement axis of sash groove (9 mm, 10 mm, 13 mm, 14 mm)



Tilt and turn set "First Tilt"

Hardware overviews

Tilt and turn set "First Tilt". Straight cut.



* - with narrow corner transmission K2003-00-N03


Tilt and turn set “First Tilt”*

Hardware overviews

STRAIGHT CUT

Nº	Description	Application range by width	Application range by height	Part No.
1	Gear variable 0, L=320, 450-550	—	450-550	K1001-02-N03
	Gear variable 1, L=520, 551-750	—	551-750	K1001-04-N03
	Gear variable 2, L=1000, 751-1230, 1 ML	—	751-1230	K1001-09-N03
	Gear variable 3, L=1200, 950-1430, 1 ML	—	950-1430	K1001-11-N03
	Gear variable 4, L=1480, 1231-1710, 2 ML	—	1231-1710	K1001-14-N03
	Gear variable 5, L=1680, 1431-1910, 2 ML	—	1431-1910	K1001-16-N03
	Gear variable 6, L=2160, 1911-2390, 3 ML	—	1911-2390	K1001-21-N03
2	Corner transmission, 1 ML, 150x150	480-1280	450-2390	K2001-00-N03
2a	Corner transmission, 1 MR, 150x150	480-1280	450-2390	K2005-00-N03
3	Corner transmission, integrated slit, 1 ML, 150x150, left	480-1280	450-2390	K2004-00-L03
	Corner transmission, integrated slit, 1 ML, 150x150, right	480-1280	450-2390	K2004-00-R03
4	Narrow corner transmission, 1 ML, 50x150	380-480	450-2390	K2003-00-N03
		480-680	370-550	
5	Stay arm, sash part 1, L=565, 480-680, left / right	480-680	—	K3030-06-L/R03
	Stay arm, sash part 2, L=685, 600-800, left / right	601-800	—	K3030-07-L/R03
	Stay arm, sash part 3, L=925, 801-1040, left / right	801-1040	—	K3030-09-L/R03
	Stay arm, sash part 4, L=1165, 1041-1280, left / right	1041-1280	—	K3030-12-L/R03
5b	Concealed stay arm “First Tilt” PVC, 13 mm, 480-800, left / right	480-800	—	A3005-02-L/R03
	Concealed stay arm “First Tilt” PVC, 13 mm, 801-1040, left / right	801-1040	—	A3005-03-L/R03
	Concealed stay arm “First Tilt” PVC, 13 mm, 1041-1280, left / right	1041-1280	—	A3005-04-L/R03
	Concealed stay arm “First Tilt” PVC, 9 mm, 480-800, left / right	480-800	—	A3006-02-L/R03
	Concealed stay arm “First Tilt” PVC, 9 mm, 801-1040, left / right	801-1040	—	A3006-03-L/R03
	Concealed stay arm “First Tilt” PVC, 9 mm, 1041-1280, left / right	1041-1280	—	A3006-04-L/R03
6	Middle lock L=400, 2 ML	600-1000	600-1000	K4004-04-N03
	Middle lock L=650, 2 ML	850-1250	850-1250	K4004-06-N03
	Middle lock L=720, 2 ML	920-1320	920-1320	K4004-07-N03
	Middle lock L=820, 2 ML	1251-1430	1251-1430	K4004-08-N03
	Middle lock L=1130, 3 ML	—	1251-1730	K4004-11-N03
6a	Middle lock L=400, 1 MR + 1 ML	600-1000	600-1000	K4008-04-N03
	Middle lock L=650, 1 MR + 1 ML	850-1250	850-1250	K4008-06-N03
	Middle lock L=820, 1 MR + 1 ML	1251-1430	1251-1430	K4008-08-N03
	Middle lock L=1130, 1 MR + 2 ML	—	1251-1730	K4008-11-N03
7	Middle lock extension, 1 ML, 480 mm	—	1710-2210	K4005-05-N03
	Middle lock extension, 1 ML, 680 mm	—	2211-2390	K4005-07-N03
10	Locking plate	—	—	*
10a	Locking plate safety	—	—	*
10c	Tilt locking plate “First Tilt”, left / right	—	—	*
11	Lifting plate	—	751-2390	*
12	Wrong operation safety device with sash lifter	—	751-2390	A7001-00-N03


Tilt and turn set “First Tilt”*
Hardware overviews
STRAIGHT CUT

N°	Description	Application range by width	Application range by height	Part No.
13	Concealed bottom hinge PVC, 9 mm, left	—	—	A5025-09-L03
	Concealed bottom hinge PVC, 9 mm, right	—	—	A5025-09-R03
	Concealed bottom hinge PVC, 13 mm, left	—	—	A5025-13-L03
	Concealed bottom hinge PVC, 13 mm, right	—	—	A5025-13-R03
14	Concealed bottom sash hinge, 9 mm, left	—	—	A5027-09-L03
	Concealed bottom sash hinge, 9 mm, right	—	—	A5027-09-R03
	Concealed bottom sash hinge, 13 mm, left	—	—	A5027-13-L03
	Concealed bottom sash hinge, 13 mm, right	—	—	A5027-13-R03
20	Concealed hinge packer, 13 mm, left	—	—	A7*-13-L03
	Concealed hinge packer, 13 mm, right	—	—	A7*-13-R03
21	Sash turning restrictor	—	—	A7110-00-N03
26	Extension lock 275 mm, 1 ML	—	—	K4003-02-N03
27	Locking plate, integrated slit	—	—	*
28	Locking plate for integrated slit (frame part)	—	—	*
29	Balcony catch	—	—	A7184-13-N03
29b	Balcony locking pin	—	—	A7207-00-N03

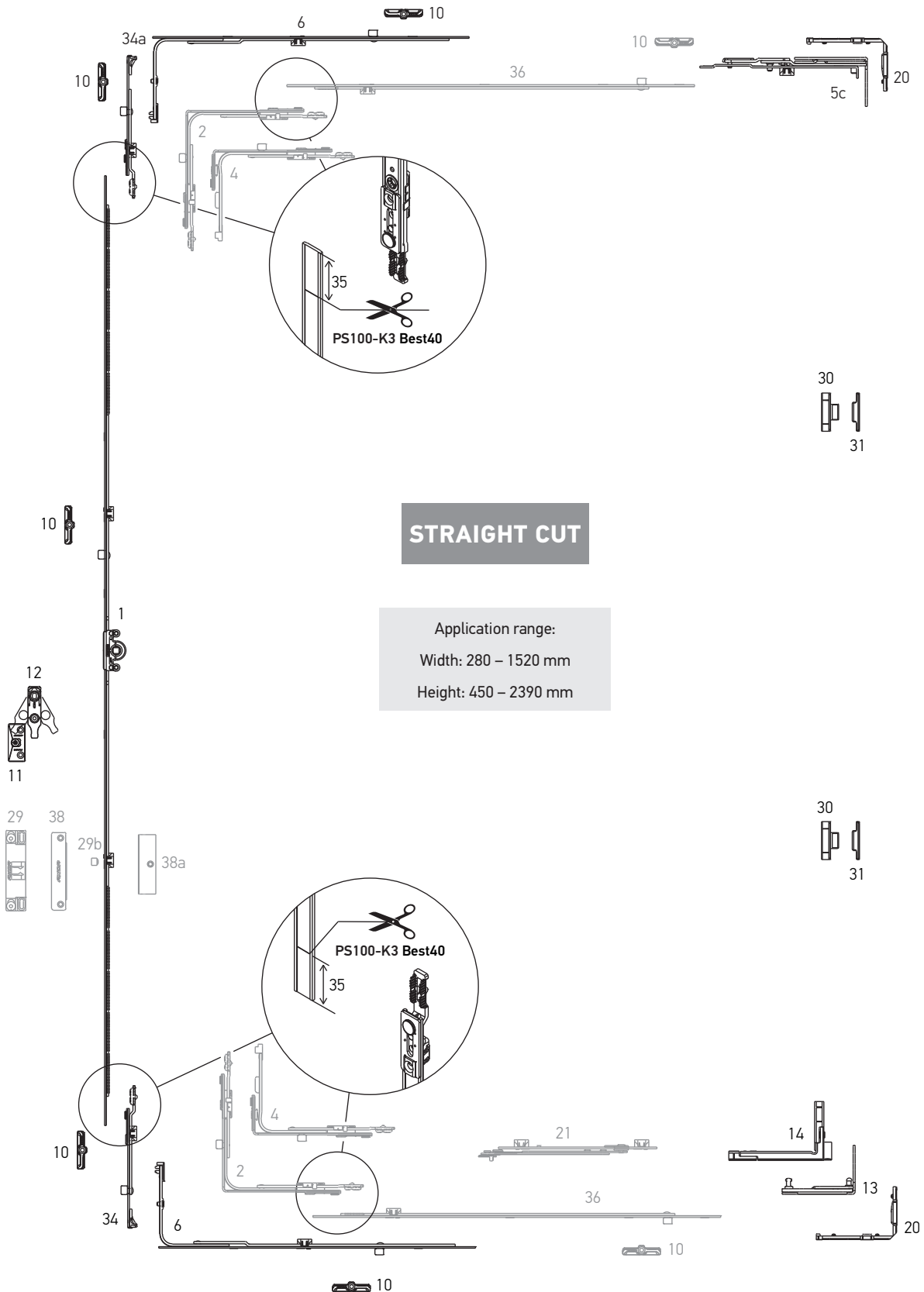
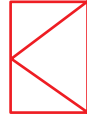
* – see the section “Profile-dependent elements” of catalogues KOMFORT LINE K-3 Smart & Quick or ELITE+



Turn set

Hardware overviews

Turn set. Straight cut.




Turn set
Hardware overviews
STRAIGHT CUT

N°	Description	Application range by width	Application range by height	Part No.
1	Gear variable 0, L=320, 450-550	—	450-550	K1001-02-N03
	Gear variable 1, L=520, 551-750	—	551-750	K1001-04-N03
	Gear variable 2, L=1000, 751-1230, 1 ML	—	751-1230	K1001-09-N03
	Gear variable 3, L=1200, 950-1430, 1 ML	—	950-1430	K1001-11-N03
	Gear variable 4, L=1480, 1231-1710, 2 ML	—	1231-1710	K1001-14-N03
	Gear variable 5, L=1680, 1431-1910, 2 ML	—	1431-1910	K1001-16-N03
	Gear variable 6, L=2160, 1911-2390, 3 ML	—	1911-2390	K1001-21-N03
2	Corner transmission, 1 ML, 150x150	330-1280	450-2390	K2001-00-N03
4	Narrow corner transmission, 1 ML, 50x150	280-1280	450-2390	K2003-00-N03
		330-520	290-350	
5c	Concealed side hung top hinge PVC, 9 mm, left / right	—	—	A5023-09-L/R03
	Concealed side hung top hinge PVC, 13 mm, left / right	—	—	A5023-13-L/R03
6	Middle lock L=400, 1 ML	600-1000	—	K4001-04-N03
	Middle lock L=650, 1 ML	850-1250	—	K4001-06-N03
10	Locking plate	—	—	*
11	Lifting plate	—	751-2390	*
12	Wrong operation safety device with sash lifter	—	751-2390	A7001-00-N03
13	Concealed bottom hinge PVC, 9 mm, left / right	—	—	A5025-09-L/R03
	Concealed bottom hinge PVC, 13 mm, left / right	—	—	A5025-13-L/R03
14	Concealed bottom sash hinge, 9 mm, left / right	—	—	A5027-09-L/R03
	Concealed bottom sash hinge, 13 mm, left / right	—	—	A5027-13-L/R03
20	Concealed hinge packer, 13 mm, left / right	—	—	A7*-13-L/R03
21	Sash turning restrictor	—	—	A7110-00-N03
22	Concealed side hung top hinge	—	—	K5002-00-N03
29	Balcony catch	—	—	A7184-13-N03
29b	Balcony locking pin	—	—	A7207-00-N03
30	Concealed middle hinge, sash part	—	—	A7056-00-N03
31	Concealed middle hinge, frame part	—	—	A7057-**-N03
34	Bottom extension for turn sash 90°	—	—	K4007-00-N03
34a	Bottom extension for turn sash 180°	—	—	K4011-00-N03
36	Extension lock for corner transmission 480 mm, 1 ML	—	—	K4010-00-N03
	Extension lock for corner transmission 680 mm, 1 ML	—	—	K4010-07-N03
	Extension lock for corner transmission 880 mm, 2 ML	—	—	K4010-09-N03
	Extension lock for corner transmission 480 mm, 1 MR	—	—	K4030-00-N03
38	Magnetic balcony catch, frame part	—	—	A7053-00-N03
38a	Magnetic balcony catch, sash part	—	—	A7055-**-N03

* – see the section "Profile-dependent elements" of catalogues KOMFORT LINE K-3 Smart & Quick or ELITE+

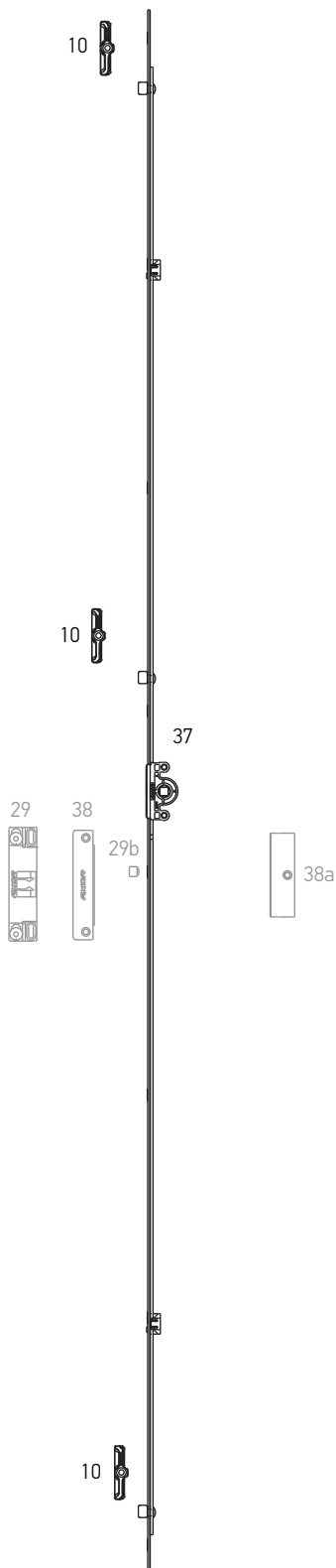
** – according to displacement axis of sash groove (9 mm, 10 mm, 13 mm, 14 mm)



Turn set

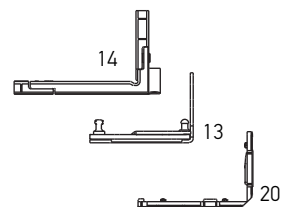
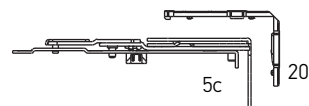
Hardware overviews

Turn set. Straight cut.



STRAIGHT CUT

Application range:
Width: 280 – 700 mm
Height: 300 – 2400 mm




Turn set
Hardware overviews
STRAIGHT CUT

N°	Description	Application range by width	Application range by height	Part No.
5c	Concealed side hung top hinge PVC, 9 mm, left	—	—	A5023-09-L03
	Concealed side hung top hinge PVC, 9 mm, right	—	—	A5023-09-R03
	Concealed side hung top hinge PVC, 13 mm, left	—	—	A5023-13-L03
	Concealed side hung top hinge PVC, 13 mm, right	—	—	A5023-13-R03
10	Locking plate	—	—	*
13	Concealed bottom hinge PVC, 9 mm, left	—	—	A5025-09-L03
	Concealed bottom hinge PVC, 9 mm, right	—	—	A5025-09-R03
	Concealed bottom hinge PVC, 13 mm, left	—	—	A5025-13-L03
	Concealed bottom hinge PVC, 13 mm, right	—	—	A5025-13-R03
14	Concealed bottom sash hinge, 9 mm, left	—	—	A5027-09-L03
	Concealed bottom sash hinge, 9 mm, right	—	—	A5027-09-R03
	Concealed bottom sash hinge, 13 mm, left	—	—	A5027-13-L03
	Concealed bottom sash hinge, 13 mm, right	—	—	A5027-13-R03
20	Concealed hinge packer, 13 mm, left	—	—	A7*-13-L03
	Concealed hinge packer, 13 mm, right	—	—	A7*-13-R03
21	Sash turning restrictor	—	—	A7110-00-N03
29	Balcony catch	—	—	A7184-13-N03
29b	Balcony locking pin	—	—	A7207-00-N03
30	Concealed middle hinge, sash part	—	—	A7056-00-N03
31	Concealed middle hinge, frame part	—	—	A7057-**-N03
37	Gear variable 1 L=300, 300 - 500, 2 ML	280-700	300-500	K1003-03-N03
	Gear variable 2 L=400, 401 - 600, 2 ML		401-600	K1003-04-N03
	Gear variable 3 L=600, 601 - 800, 2 ML		601-800	K1003-06-N03
	Gear variable 4 L=800, 801 - 1000, 2 ML		801-1000	K1003-08-N03
	Gear variable 5 L=1000, 1001 - 1200, 3 ML		1001-1200	K1003-10-N03
	Gear variable 6 L=1200, 1201 - 1400, 3 ML		1201-1400	K1003-12-N03
	Gear variable 7 L=1400, 1401 - 1600, 3 ML		1401-1600	K1003-14-N03
	Gear variable 8 L=1600, 1601 - 1800, 4ML		1601-1800	K1003-16-N03
	Gear variable 9 L=1800, 1801 - 2000, 4ML		1801-2000	K1003-18-N03
	Gear variable 10 L=2000, 2001 - 2200, 4ML		2001-2200	K1003-20-N03
	Gear variable 11 L=2200, 2201 - 2400, 4ML		2201-2400	K1003-22-N03
38	Magnetic balcony catch, frame part	—	—	A7053-00-N03
38a	Magnetic balcony catch, sash part	—	—	A7055-**-N03

* – see the section “Profile-dependent elements” of catalogues KOMFORT LINE K-3 Smart & Quick or ELITE+

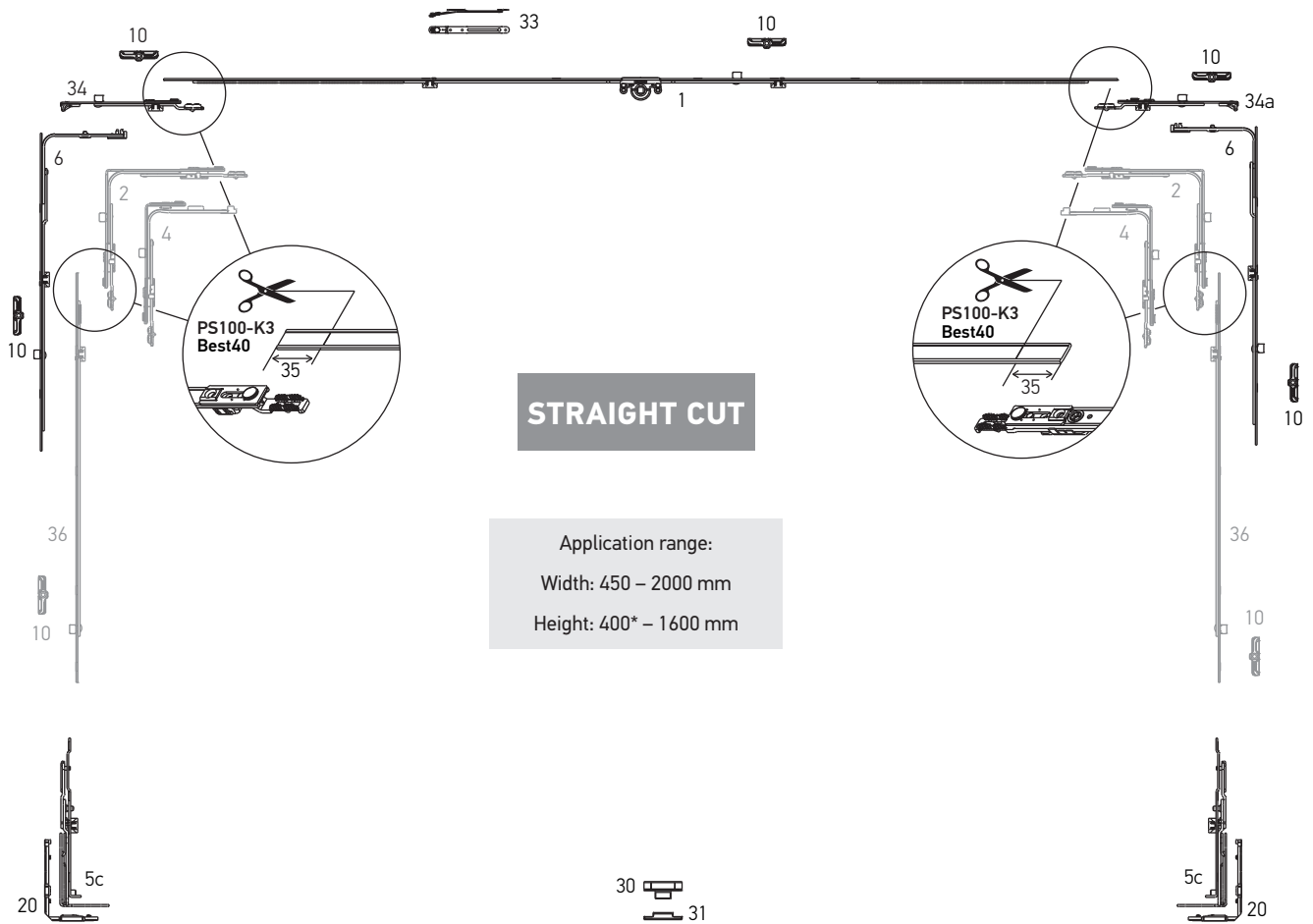
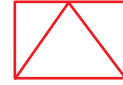
** – according to displacement axis of sash groove (9 mm, 10 mm, 13 mm, 14 mm)



Tilt set

Hardware overviews

Tilt set. Straight cut.



* - without using of middle lock


Tilt set
Hardware overviews
STRAIGHT CUT

N°	Description	Application range by width	Application range by height	Part No.
1	Gear variable 0, L=320, 450-550	—	450-550	K1001-02-N03
	Gear variable 1, L=520, 551-750	—	551-750	K1001-04-N03
	Gear variable 2, L=1000, 751-1230, 1 ML	—	751-1230	K1001-09-N03
	Gear variable 3, L=1200, 950-1430, 1 ML	—	950-1430	K1001-11-N03
	Gear variable 4, L=1480, 1231-1710, 2 ML	—	1231-1710	K1001-14-N03
	Gear variable 5, L=1680, 1431-1910, 2 ML	—	1431-1910	K1001-16-N03
	Gear variable 6, L=2160, 1911-2390, 3 ML	—	1911-2390	K1001-21-N03
2	Corner transmission, 1 ML, 150x150	330-1280	450-2390	K2001-00-N03
4	Narrow corner transmission, 1 ML, 50x150	280-1280	450-2390	K2003-00-N03
		330-520	290-350	
5c	Concealed side hung top hinge PVC, 9 mm, left	—	—	A5023-09-L03
	Concealed side hung top hinge PVC, 9 mm, right	—	—	A5023-09-R03
	Concealed side hung top hinge PVC, 13 mm, left	—	—	A5023-13-L03
	Concealed side hung top hinge PVC, 13 mm, right	—	—	A5023-13-R03
6	Middle lock L=400, 1 ML	—	600-1000	K4001-04-N03
	Middle lock L=650, 1 ML	—	850-1250	K4001-06-N03
	Middle lock L=720, 1 ML	—	920-1320	K4001-07-N03
	Middle lock L=820, 1 ML	—	1251-1430	K4001-08-N03
	Middle lock L=1130, 2 ML	—	1251-1730	K4001-11-N03
10	Locking plate	—	—	*
20	Concealed hinge packer, 13 mm, left	—	—	A7*-13-L03
	Concealed hinge packer, 13 mm, right	—	—	A7*-13-R03
30	Concealed middle hinge, sash part	—	—	A7056-00-N03
31	Concealed middle hinge, frame part	—	—	A7057-**-N03
33	Tilt stay arm	—	—	A7107-00-N03
	Tilt stay arm	—	—	A7017-00-N03
34	Bottom extension for turn sash 90°	—	—	K4007-00-N03
34a	Bottom extension for turn sash 180°	—	—	K4011-00-N03
36	Extension lock for corner transmission 480 mm, 1 ML	—	—	K4010-00-N03
	Extension lock for corner transmission 680 mm, 1 ML	—	—	K4010-07-N03
	Extension lock for corner transmission 880 mm, 2 ML	—	—	K4010-09-N03
	Extension lock for corner transmission 480 mm, 1 MR	—	—	K4030-00-N03

* – see the section “Profile-dependent elements” of catalogues KOMFORT LINE K-3 Smart & Quick or ELITE+

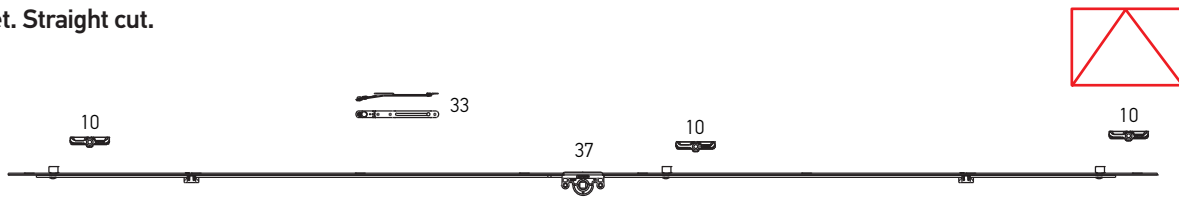
** – according to displacement axis of sash groove (9 mm, 10 mm, 13 mm, 14 mm)



Tilt set

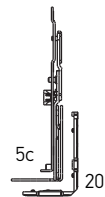
Hardware overviews

Tilt set. Straight cut.



STRAIGHT CUT

Application range:
Width: 300 – 2000 mm
Height: 280 – 700 mm



Nº	Description	Application range by width	Application range by height	Part No.
5c	Concealed side hung top hinge PVC, 9 mm, left / right	—	—	A5023-09-L/R03
	Concealed side hung top hinge PVC, 13 mm, left / right	—	—	A5023-13-L/R03
10	Locking plate	—	—	*
20	Concealed hinge packer, 13 mm, left / right	—	—	A7*-13-L/R03
30	Concealed middle hinge, sash part	—	—	A7056-00-N03
31	Concealed middle hinge, frame part	—	—	A7057-* -N03
33	Tilt stay arm	—	—	A7107-00-N03
	Tilt stay arm	—	—	A7017-00-N03
37	Gear variable 1 L=300, 300 - 500, 2 ML	300-500	280-700	K1003-03-N03
	Gear variable 2 L=400, 401 - 600, 2 ML	401-600		K1003-04-N03
	Gear variable 3 L=600, 601 - 800, 2 ML	601-800		K1003-06-N03
	Gear variable 4 L=800, 801 - 1000, 2 ML	801-1000		K1003-08-N03
	Gear variable 5 L=1000, 1001 - 1200, 3 ML	1001-1200		K1003-10-N03
	Gear variable 6 L=1200, 1201 - 1400, 3 ML	1201-1400		K1003-12-N03
	Gear variable 7 L=1400, 1401 - 1600, 3 ML	1401-1600		K1003-14-N03
	Gear variable 8 L=1600, 1601 - 1800, 4ML	1601-1800		K1003-16-N03
	Gear variable 9 L=1800, 1801 - 2000, 4ML	1801-2000		K1003-18-N03

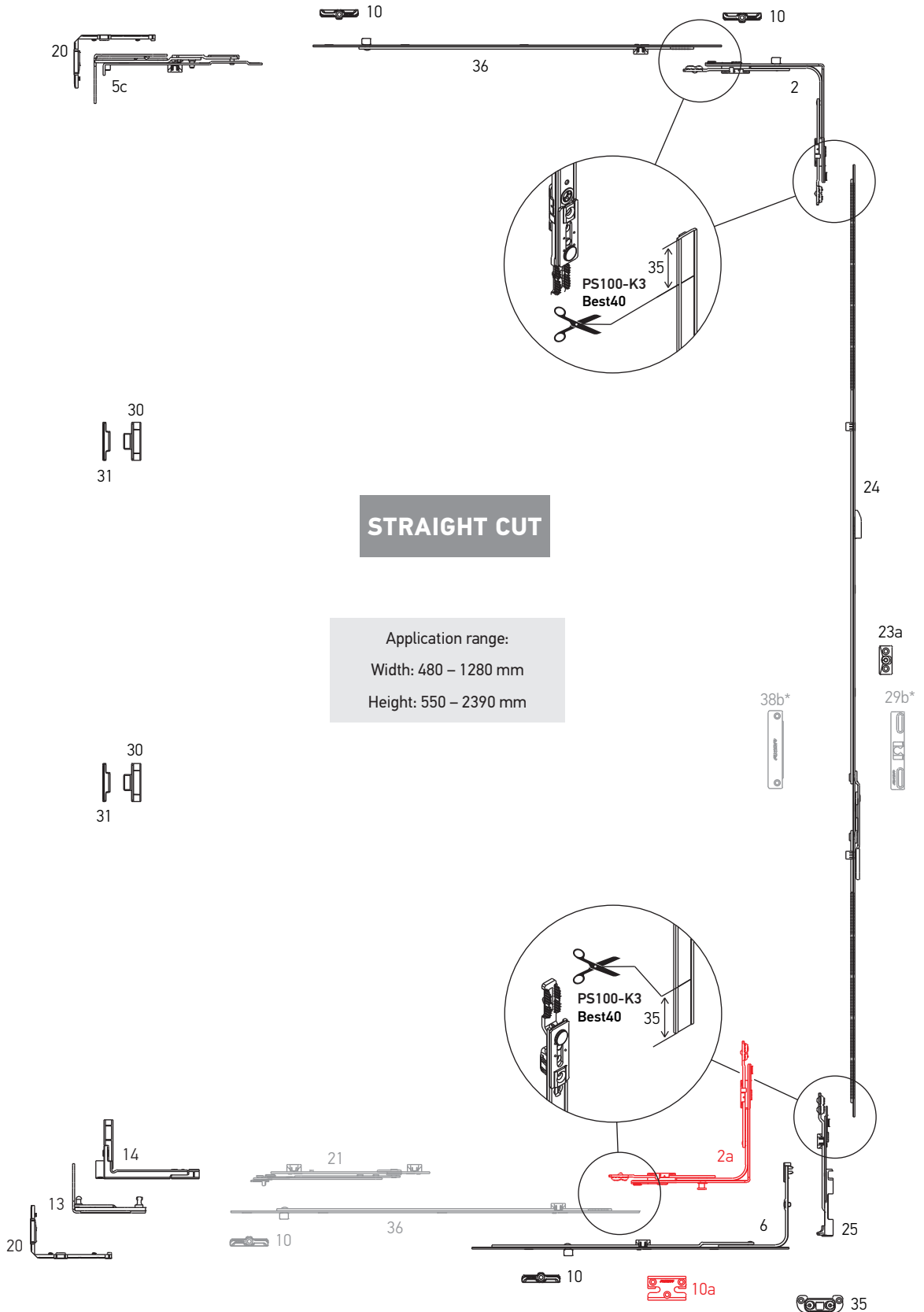
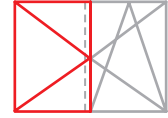
* – see the section "Profile-dependent elements" of catalogues KOMFORT LINE K-3 Smart & Quick or ELITE+



Double sash

Hardware overviews

Secondary sash of double-sash window. Straight cut.

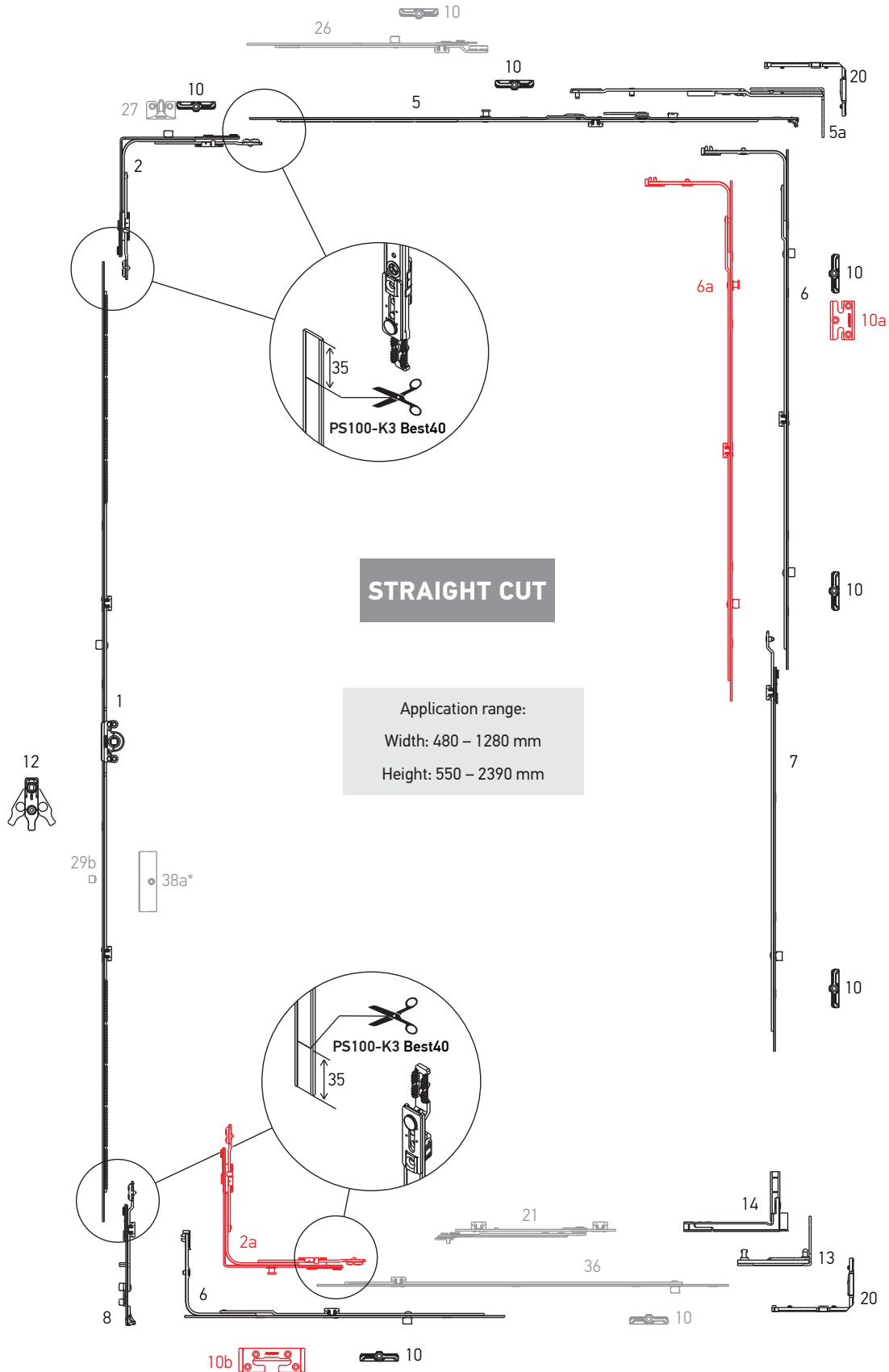
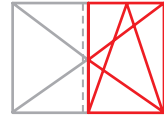




Double sash

Hardware overviews

Main sash. Straight cut.





Double sash

Hardware overviews

STRAIGHT CUT

N°	Description	Application range by width	Application range by height	Part No.
1	Gear variable 1, L=520, 551-750	—	551-750	K1001-04-N03
	Gear variable 2, L=1000, 751-1230, 1 ML	—	751-1230	K1001-09-N03
	Gear variable 3, L=1200, 950-1430, 1 ML	—	950-1430	K1001-11-N03
	Gear variable 5, L=1680, 1431-1910, 2 ML	—	1431-1910	K1001-16-N03
	Gear variable 6, L=2160, 1911-2390, 3 ML	—	1911-2390	K1001-21-N03
2	Corner transmission, 1 ML, 150x150	480-1280	450-2390	K2001-00-N03
2a	Corner transmission, 1 MR, 150x150	480-1280	450-2390	K2005-00-N03
5	Stay arm, sash part 1, L=565, 480-680, left / right	480-680	—	K3030-06-L/R03
	Stay arm, sash part 2, L=685, 600-800, left / right	601-800	—	K3030-07-L/R03
	Stay arm, sash part 3, L=925, 801-1040, left / right	801-1040	—	K3030-09-L/R03
	Stay arm, sash part 4, L=1165, 1041-1280, left / right	1041-1280	—	K3030-12-L/R03
5a	Concealed stay arm PVC, 13 mm, 480-800, left / right	480-800	—	A3001-02-L/R03
	Concealed stay arm PVC, 13 mm, 801-1040, left / right	801-1040	—	A3001-03-L/R03
	Concealed stay arm PVC, 13 mm, 1041-1280, left / right	1041-1280	—	A3001-04-L/R03
	Concealed stay arm PVC, 9 mm, 480-800, left / right	480-800	—	A3002-02-L/R03
	Concealed stay arm PVC, 9 mm, 801-1040, left / right	801-1040	—	A3002-03-L/R03
	Concealed stay arm PVC, 9 mm, 1041-1280, left / right	1041-1280	—	A3002-04-L/R03
5c	Concealed side hung top hinge PVC, 9 mm, left	—	—	A5023-09-L03
	Concealed side hung top hinge PVC, 9 mm, right	—	—	A5023-09-R03
	Concealed side hung top hinge PVC, 13 mm, left	—	—	A5023-13-L03
	Concealed side hung top hinge PVC, 13 mm, right	—	—	A5023-13-R03
6	Middle lock L=400, 2 ML	600-1000	600-1000	K4004-04-N03
	Middle lock L=650, 2 ML	850-1250	850-1250	K4004-06-N03
	Middle lock L=720, 2 ML	920-1320	920-1320	K4004-07-N03
	Middle lock L=820, 2 ML	1251-1430	1251-1430	K4004-08-N03
	Middle lock L=1130, 3 ML	—	1251-1730	K4004-11-N03
6a	Middle lock L=400, 1 MR + 1 ML	600-1000	600-1000	K4008-04-N03
	Middle lock L=650, 1 MR + 1 ML	850-1250	850-1250	K4008-06-N03
	Middle lock L=820, 1 MR + 1 ML	1251-1430	1251-1430	K4008-08-N03
	Middle lock L=1130, 1 MR + 2 ML	—	1251-1730	K4008-11-N03
7	Middle lock extension, 1 ML, 480 mm	—	1710-2210	K4005-05-N03
	Middle lock extension, 1 ML, 680 mm	—	2231-2390	K4005-07-N03
8	Bottom extension	—	450-800	K4009-00-N03
		—	801-2390	K4002-00-N03
10	Locking plate	—	—	*
10a	Locking plate safety	—	—	*
10b	Tilt locking plate safety	—	—	*
12	Wrong operation safety device with sash lifter	—	751-2390	A7001-00-N03



Double sash

Hardware overviews

STRAIGHT CUT

Nº	Description	Application range by width	Application range by height	Part No.
13	Concealed bottom hinge PVC, 9 mm, left	—	—	A5025-09-L03
	Concealed bottom hinge PVC, 9 mm, right	—	—	A5025-09-R03
	Concealed bottom hinge PVC, 13 mm, left	—	—	A5025-13-L03
	Concealed bottom hinge PVC, 13 mm, right	—	—	A5025-13-R03
14	Concealed bottom sash hinge, 9 mm, left	—	—	A5027-09-L03
	Concealed bottom sash hinge, 9 mm, right	—	—	A5027-09-R03
	Concealed bottom sash hinge, 13 mm, left	—	—	A5027-13-L03
	Concealed bottom sash hinge, 13 mm, right	—	—	A5027-13-R03
20	Concealed hinge packer, 13 mm, left	—	—	A7*-13-L03
	Concealed hinge packer, 13 mm, right	—	—	A7*-13-R03
21	Sash turning restrictor	—	—	A7110-00-N03
23a	Lifting plate for double sash, sash part	—	—	A6001-00-N03
24	Double-sash gear 1 L=520, 551-750	—	551-750	K1002-04-N03
	Double-sash gear 2 L=720, 751-950	—	751-950	K1002-06-N03
	Double-sash gear 3 L=1200, 951-1430	—	951-1430	K1002-11-N03
	Double-sash gear 4 L=1680, 1431-1910	—	1431-1910	K1002-16-N03
	Double-sash gear 5 L=2160, 1911-2390	—	1911-2390	K1002-21-N03
25	Shoot bolt (bottom)	—	—	K4006-00-N03
26	Extension lock 275 mm, 1 ML	—	—	K4003-02-N03
27	Locking plate, integrated slit	—	—	*
29a	Balcony catch for double-sash gear	—	1911-2390	A7047-00-N03
29b	Balcony locking pin	—	—	A7207-00-N03
30	Concealed middle hinge, sash part	—	—	A7056-00-N03
31	Concealed middle hinge, frame part	—	—	A7057-**-N03
35	Locking plate adjustable for shoot bolt	—	—	*
36	Extension lock for corner transmission 480 mm, 1 ML	—	—	K4010-00-N03
	Extension lock for corner transmission 680 mm, 1 ML	—	—	K4010-07-N03
	Extension lock for corner transmission 880 mm, 2 ML	—	—	K4010-09-N03
	Extension lock for corner transmission 480 mm, 1 MR	—	—	K4030-00-N03
38a	Magnetic balcony catch, sash part	—	—	A7055-**-N03
38b	Magnetic balcony catch for double-sash gear, frame part	—	—	A7054-00-N03

* – see the section “Profile-dependent elements” of catalogues KOMFORT LINE K-3 Smart & Quick or ELITE+

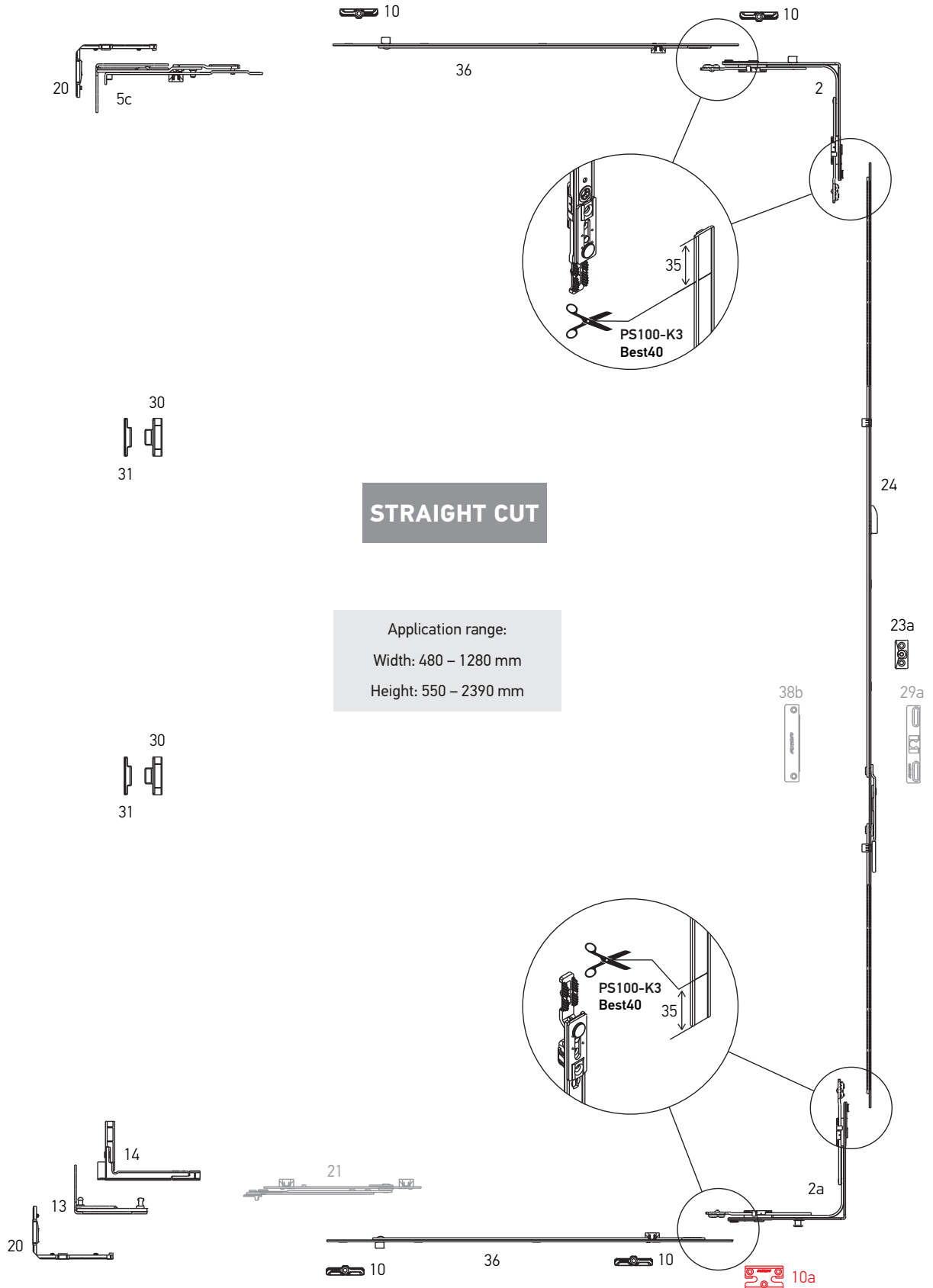
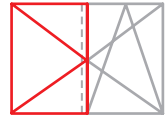
** – according to displacement axis of sash groove (9 mm, 10 mm, 13 mm, 14 mm)



Double sash "First Tilt"

Hardware overviews

Secondary sash of double-sash window "First Tilt". Straight cut.

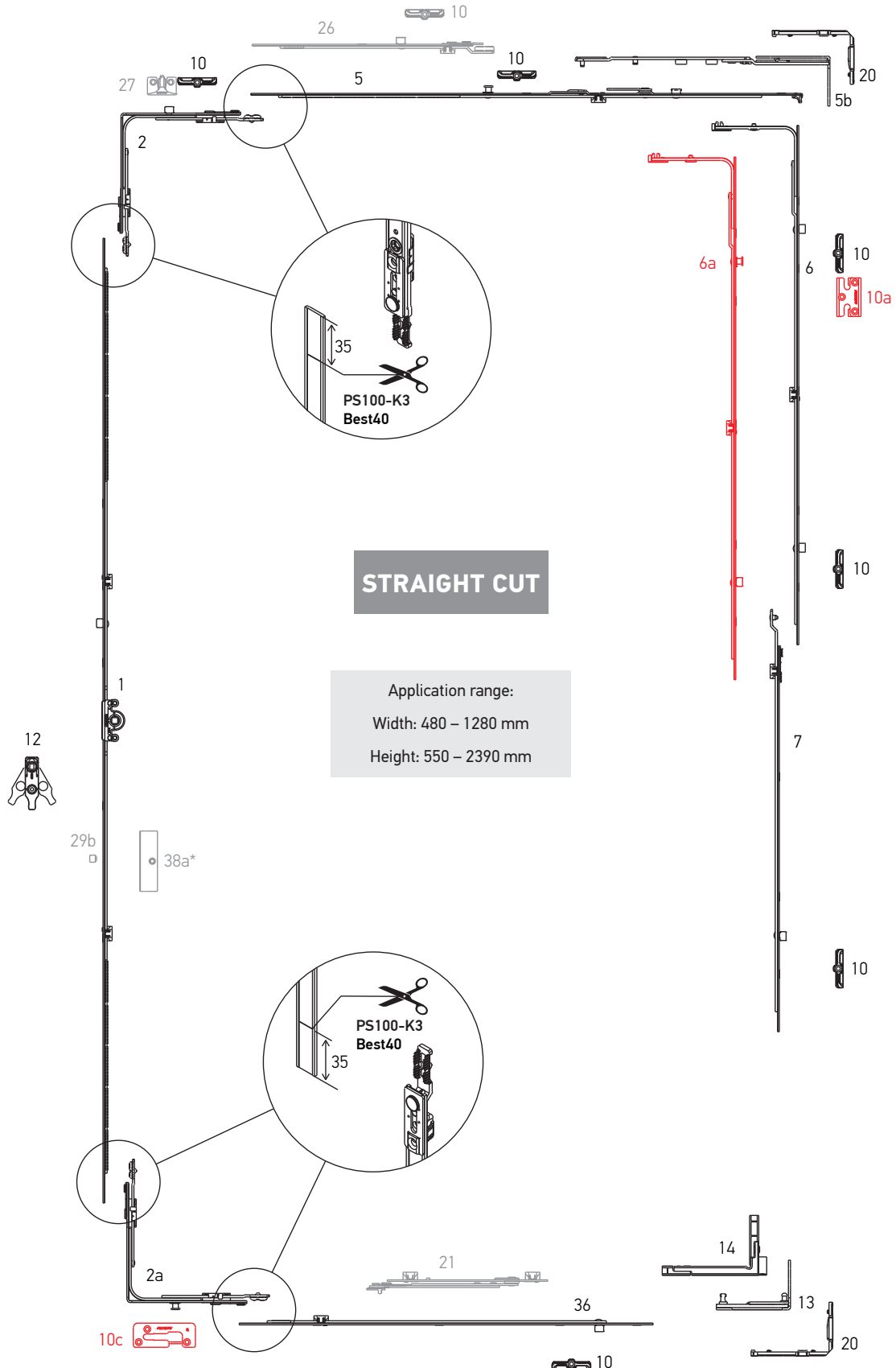
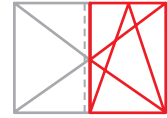




Double sash "First Tilt"

Hardware overviews

Main sash "First Tilt". Straight cut.



STRAIGHT CUT

Application range:
Width: 480 - 1280 mm
Height: 550 - 2390 mm



Double sash "First Tilt"

Hardware overviews

STRAIGHT CUT

Nº	Description	Application range by width	Application range by height	Part No.
1	Gear variable 1, L=520, 551-750	—	551-750	K1001-04-N03
	Gear variable 2, L=1000, 751-1230, 1 ML	—	751-1230	K1001-09-N03
	Gear variable 3, L=1200, 950-1430, 1 ML	—	950-1430	K1001-11-N03
	Gear variable 5, L=1680, 1431-1910, 2 ML	—	1431-1910	K1001-16-N03
	Gear variable 6, L=2160, 1911-2390, 3 ML	—	1911-2390	K1001-21-N03
2	Corner transmission, 1 ML, 150x150	480-1280	450-2390	K2001-00-N03
2a	Corner transmission, 1 MR, 150x150	480-1280	450-2390	K2005-00-N03
5	Stay arm, sash part 1, L=565, 480-680, left / right	480-680	—	K3030-06-L/R03
	Stay arm, sash part 2, L=685, 600-800, left / right	601-800	—	K3030-07-L/R03
	Stay arm, sash part 3, L=925, 801-1040, left / right	801-1040	—	K3030-09-L/R03
	Stay arm, sash part 4, L=1165, 1041-1280, left / right	1041-1280	—	K3030-12-L/R03
5b	Concealed stay arm "First Tilt" PVC, 13 mm, 480-800, left / right	480-800	—	A3005-02-L/R03
	Concealed stay arm "First Tilt" PVC, 13 mm, 801-1040, left / right	801-1040	—	A3005-03-L/R03
	Concealed stay arm "First Tilt" PVC, 13 mm, 1041-1280, left / right	1041-1280	—	A3005-04-L/R03
	Concealed stay arm "First Tilt" PVC, 9 mm, 480-800, left / right	480-800	—	A3006-02-L/R03
	Concealed stay arm "First Tilt" PVC, 9 mm, 801-1040, left / right	801-1040	—	A3006-03-L/R03
	Concealed stay arm "First Tilt" PVC, 9 mm, 1041-1280, left / right	1041-1280	—	A3006-04-L/R03
5c	Concealed side hung top hinge PVC, 9 mm, left	—	—	A5023-09-L03
	Concealed side hung top hinge PVC, 9 mm, right	—	—	A5023-09-R03
	Concealed side hung top hinge PVC, 13 mm, left	—	—	A5023-13-L03
	Concealed side hung top hinge PVC, 13 mm, right	—	—	A5023-13-R03
6	Middle lock L=400, 2 ML	600-1000	600-1000	K4004-04-N03
	Middle lock L=650, 2 ML	850-1250	850-1250	K4004-06-N03
	Middle lock L=720, 2 ML	920-1320	920-1320	K4004-07-N03
	Middle lock L=820, 2 ML	1251-1430	1251-1430	K4004-08-N03
	Middle lock L=1130, 3 ML	—	1251-1730	K4004-11-N03
6a	Middle lock L=400, 1 MR + 1 ML	600-1000	600-1000	K4008-04-N03
	Middle lock L=650, 1 MR + 1 ML	850-1250	850-1250	K4008-06-N03
	Middle lock L=820, 1 MR + 1 ML	1251-1430	1251-1430	K4008-08-N03
	Middle lock L=1130, 1 MR + 2 ML	—	1251-1730	K4008-11-N03
7	Middle lock extension, 1 ML, 480 mm	—	1710-2210	K4005-05-N03
	Middle lock extension, 1 ML, 680 mm	—	2231-2390	K4005-07-N03
10	Locking plate	—	—	*
10a	Locking plate safety	—	—	*
10c	Tilt locking plate "First Tilt", left / right	—	—	*
12	Wrong operation safety device with sash lifter	—	751-2390	A7001-00-N03
13	Concealed bottom hinge PVC, 9 mm, left	—	—	A5025-09-L03
	Concealed bottom hinge PVC, 9 mm, right	—	—	A5025-09-R03
	Concealed bottom hinge PVC, 13 mm, left	—	—	A5025-13-L03
	Concealed bottom hinge PVC, 13 mm, right	—	—	A5025-13-R03



Double sash "First Tilt"

Hardware overviews

STRAIGHT CUT

Nº	Description	Application range by width	Application range by height	Part No.
14	Concealed bottom sash hinge, 9 mm, left	—	—	A5027-09-L03
	Concealed bottom sash hinge, 9 mm, right	—	—	A5027-09-R03
	Concealed bottom sash hinge, 13 mm, left	—	—	A5027-13-L03
	Concealed bottom sash hinge, 13 mm, right	—	—	A5027-13-R03
20	Concealed hinge packer, 13 mm, left	—	—	A7*-13-L03
	Concealed hinge packer, 13 mm, right	—	—	A7*-13-R03
21	Sash turning restrictor	—	—	A7110-00-N03
23a	Lifting plate for double sash, sash part	—	—	A6001-00-N03
24	Double-sash gear 1 L=520, 551-750	—	551-750	K1002-04-N03
	Double-sash gear 2 L=720, 751-950	—	751-950	K1002-06-N03
	Double-sash gear 3 L=1200, 951-1430	—	951-1430	K1002-11-N03
	Double-sash gear 4 L=1680, 1431-1910	—	1431-1910	K1002-16-N03
	Double-sash gear 5 L=2160, 1911-2390	—	1911-2390	K1002-21-N03
26	Extension lock 275 mm, 1 ML	—	—	K4003-02-N03
27	Locking plate, integrated slit	—	—	*
29a	Balcony catch for double-sash gear	—	1911-2390	A7047-00-N03
29b	Balcony locking pin	—	—	A7207-00-N03
30	Concealed middle hinge, sash part	—	—	A7056-00-N03
31	Concealed middle hinge, frame part	—	—	A7057-**-N03
36	Extension lock for corner transmission 480 mm, 1 ML	—	—	K4010-00-N03
	Extension lock for corner transmission 680 mm, 1 ML	—	—	K4010-07-N03
	Extension lock for corner transmission 880 mm, 2 ML	—	—	K4010-09-N03
	Extension lock for corner transmission 480 mm, 1 MR	—	—	K4030-00-N03
38a	Magnetic balcony catch, sash part	—	—	A7055-**-N03
38b	Magnetic Balcony catch for double-sash gear, frame part	—	—	A7054-00-N03

* – according to displacement axis of sash groove (9 mm, 10 mm, 13 mm, 14 mm)

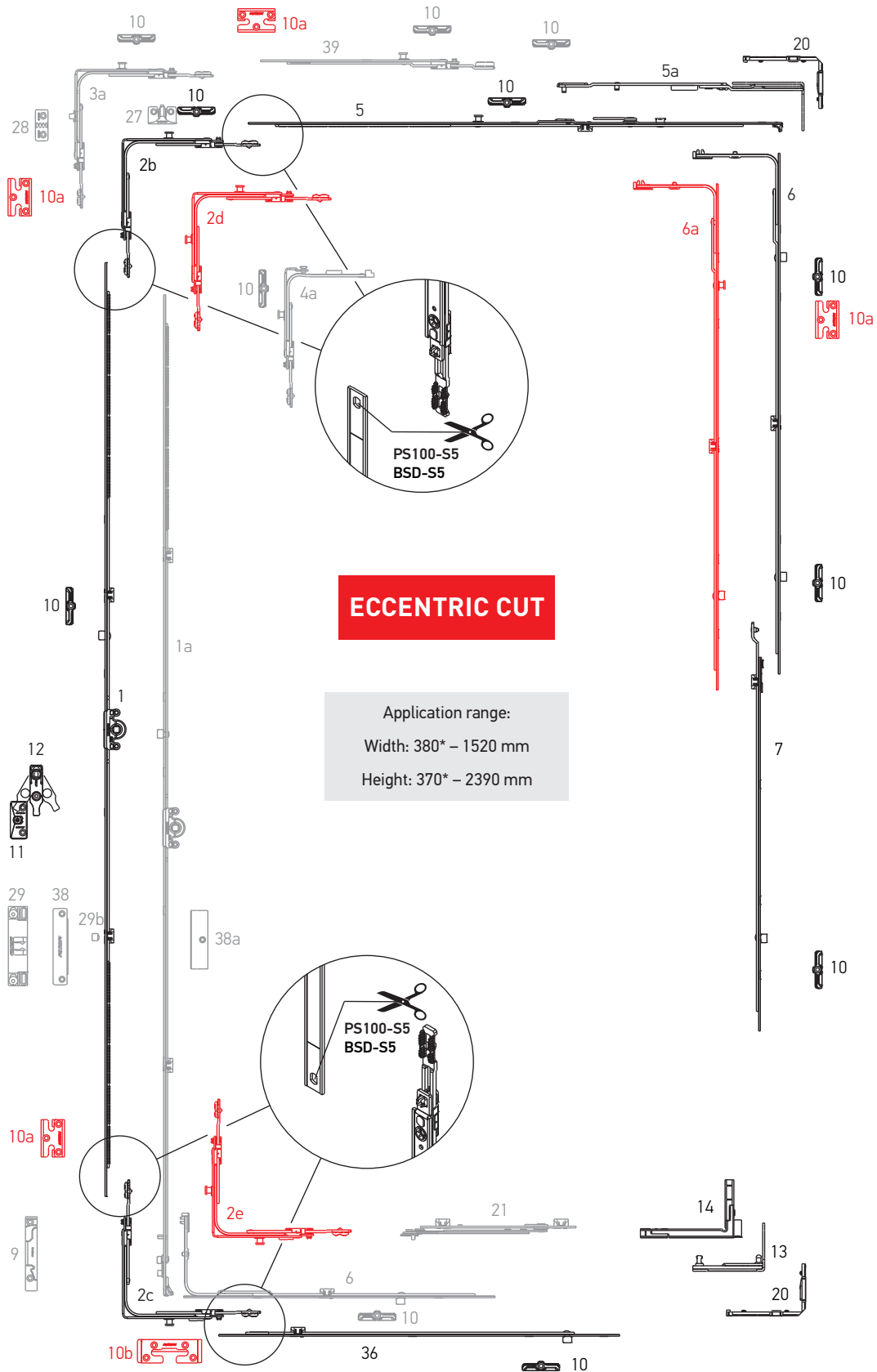
** – see the section "Profile-dependent elements" of catalogues KOMFORT LINE K-3 Smart & Quick or ELITE+



Tilt and turn set

Hardware overviews

Tilt and turn set. Eccentric cut.



* - with narrow corner transmission K2026-00-N03



Tilt and turn set

Hardware overviews

ECCENTRIC CUT

Nº	Description	Application range by width	Application range by height	Part No.
1	Gear variable 0, L=320, 450-550	—	450-550	K1001-02-N03
	Gear variable 1, L=520, 551-750	—	551-750	K1001-04-N03
	Gear variable 2, L=1000, 751-1230, 1 ML	—	751-1230	K1001-09-N03
	Gear variable 3, L=1200, 950-1430, 1 ML	—	950-1430	K1001-11-N03
	Gear variable 4, L=1480, 1231-1710, 2 ML	—	1231-1710	K1001-14-N03
	Gear variable 5, L=1680, 1431-1910, 2 ML	—	1431-1910	K1001-16-N03
	Gear variable 6, L=2160, 1911-2390, 3 ML	—	1911-2390	K1001-21-N03
1a	Constant tilt-turn gear 0, L=435, G=140, 370-550*	—	370-550	K1004-04-N03
	Constant tilt-turn gear 1, L=385, G=175, 400-500*	—	400-500	K1004-03-N03
	Constant tilt-turn gear 2, L=565, G=200, 480-680*	—	480-680	K1004-05-N03
	Constant tilt-turn gear 3, L=805, G=300, 681-920*, 1 ML	—	681-920	K1004-08-N03
	Constant tilt-turn gear 4, L=1045, G=450, 921-1160*, 1 ML	—	921-1160	K1004-10-N03
	Constant tilt-turn gear 5, L=1285, G=600, 1161-1400*, 1 ML	—	1161-1400	K1004-12-N03
	Constant tilt-turn gear 6, L=1525, G=600, 1401-1640*, 2 ML	—	1401-1640	K1004-15-N03
	Constant tilt-turn gear 7, L=1765, G=600, 1641-1880*, 2 ML	—	1641-1880	K1004-17-N03
	Constant tilt-turn gear 8, L=1765, G=1000, 1641-1880*, 2 ML	—	1641-1880	K1004-18-N03
	Constant tilt-turn gear 9, L=2005, G=1000, 1881-2120*, 2 ML	—	1881-2120	K1004-20-N03
Constant tilt-turn gear 10, L=2245, G=1000, 2121-2360*, 3 ML	—	2121-2360	K1004-22-N03	
2b	Corner transmission, 1 MR, 115x115	480-1280	450-2390	K2025-00-N03
2c	Corner transmission, bottom, 1 MR, 115x115	480-1280	450-2390	K2028-00-N03
2d	Corner transmission, 2 MR, 115x115	480-1280	450-2390	K2032-00-N03
2e	Corner transmission, bottom, 2 MR, 115x115	480-1280	450-2390	K2029-00-N03
3a	Corner transmission, integrated slit, 1 MR, left/right, 115x115	480-1280	450-2390	K2034-00-L/R03
4a	Narrow corner transmission, 1 MR, 115x15	380-480	450-2390	K2026-00-N03
		480-680	370-550	
5	Stay arm, sash part 1, L=565, 480-680, left / right	480-680	—	K3030-06-L/R03
	Stay arm, sash part 2, L=685, 600-800, left / right	601-800	—	K3030-07-L/R03
	Stay arm, sash part 3, L=925, 801-1040, left / right	801-1040	—	K3030-09-L/R03
	Stay arm, sash part 4, L=1165, 1041-1280, left / right	1041-1280	—	K3030-12-L/R03
5a	Concealed stay arm PVC, 13 mm, 480-800, left / right	480-800	—	A3001-02-L/R03
	Concealed stay arm PVC, 13 mm, 801-1040, left / right	801-1040	—	A3001-03-L/R03
	Concealed stay arm PVC, 13 mm, 1041-1280, left / right	1041-1280	—	A3001-04-L/R03
	Concealed stay arm PVC, 9 mm, 480-800, left / right	480-800	—	A3002-02-L/R03
	Concealed stay arm PVC, 9 mm, 801-1040, left / right	801-1040	—	A3002-03-L/R03
	Concealed stay arm PVC, 9 mm, 1041-1280, left / right	1041-1280	—	A3002-04-L/R03
6	Middle lock L=400, 2 ML	600-1000	600-1000	K4004-04-N03
	Middle lock L=650, 2 ML	850-1250	850-1250	K4004-06-N03
	Middle lock L=720, 2 ML	920-1320	920-1320	K4004-07-N03
	Middle lock L=820, 2 ML	1251-1430	1251-1430	K4004-08-N03
	Middle lock L=1130, 3 ML	—	1251-1730	K4004-11-N03


Tilt and turn set
Hardware overviews
ECCENTRIC CUT

N°	Description	Application range by width	Application range by height	Part No.
6a	Middle lock L=400, 1 MR + 1 ML	600-1000	600-1000	K4008-04-N03
	Middle lock L=650, 1 MR + 1 ML	850-1250	850-1250	K4008-06-N03
	Middle lock L=820, 1 MR + 1 ML	1251-1430	1251-1430	K4008-08-N03
	Middle lock L=1130, 1 MR + 2 ML	—	1251-1730	K4008-11-N03
7	Middle lock extension, 1 ML, 480 mm	—	1710-2210	K4005-05-N03
	Middle lock extension, 1 ML, 680 mm	—	2211-2390	K4005-07-N03
9	Tilt locking plate, right	—	—	**
	Tilt locking plate, left	—	—	**
10	Locking plate	—	—	**
10a	Locking plate safety	—	—	**
10b	Tilt locking plate safety	—	—	**
11	Lifting plate	—	751-2390	**
12	Wrong operation safety device with sash lifter	—	751-2390	A7001-00-N03
13	Concealed bottom hinge PVC, 9 mm, left	—	—	A5025-09-L03
	Concealed bottom hinge PVC, 9 mm, right	—	—	A5025-09-R03
	Concealed bottom hinge PVC, 13 mm, left	—	—	A5025-13-L03
	Concealed bottom hinge PVC, 13 mm, right	—	—	A5025-13-R03
14	Concealed bottom sash hinge, 9 mm, left	—	—	A5027-09-L03
	Concealed bottom sash hinge, 9 mm, right	—	—	A5027-09-R03
	Concealed bottom sash hinge, 13 mm, left	—	—	A5027-13-L03
	Concealed bottom sash hinge, 13 mm, right	—	—	A5027-13-R03
20	Concealed hinge packer, 13 mm, left	—	—	A7**-13-L03
	Concealed hinge packer, 13 mm, right	—	—	A7**-13-R03
21	Sash turning restrictor	—	—	A7110-00-N03
27	Locking plate, integrated slit	—	—	**
28	Locking plate for integrated slit (frame part)	—	—	**
29	Balcony catch	—	—	A7184-13-N03
29b	Balcony locking pin	—	—	A7207-00-N03
36	Extension lock for corner transmission 480 mm, 1 ML	—	—	K4010-00-N03
	Extension lock for corner transmission 680 mm, 1 ML	—	—	K4010-07-N03
	Extension lock for corner transmission 880 mm, 2 ML	—	—	K4010-09-N03
	Extension lock for corner transmission 480 mm, 1 MR	—	—	K4030-00-N03
38	Magnetic balcony catch, frame part	—	—	A7053-00-N03
38a	Magnetic balcony catch, sash part	—	—	A7055-***-N03
39	Extension lock 240 mm, 1 MR	—	—	K4050-02-N03
	Extension lock 480 mm, 1 MR	—	—	K4050-05-N03

* – with offset relative to center

** – see the section "Profile-dependent elements" of catalogues KOMFORT LINE K-3 Smart & Quick or ELITE+

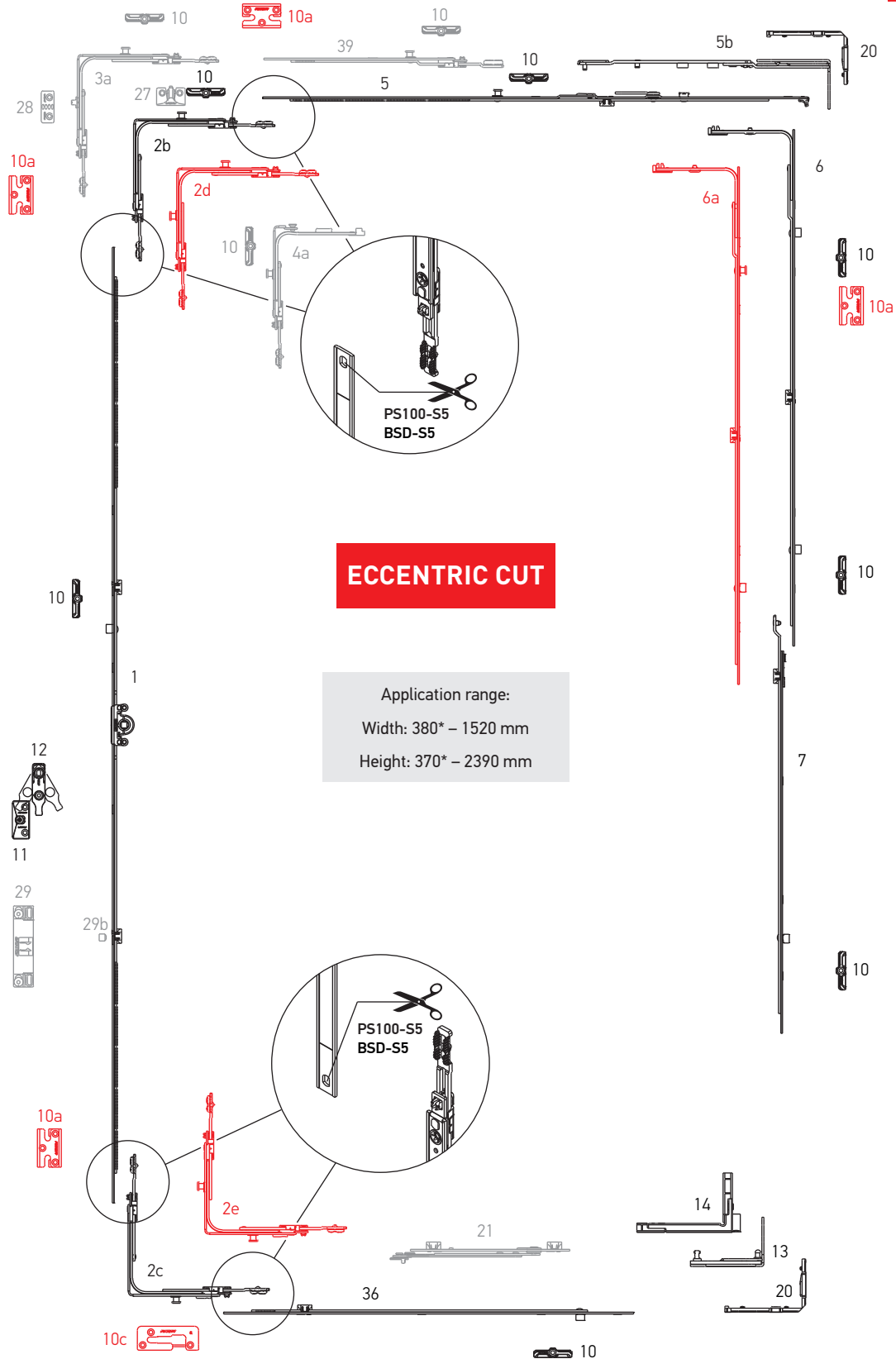
*** – according to displacement axis of sash groove (9 mm, 10 mm, 13 mm, 14 mm)



Tilt and turn set "First Tilt"

Hardware overviews

Tilt and turn set "First Tilt". Eccentric cut.



ECCENTRIC CUT

Application range:
Width: 380* - 1520 mm
Height: 370* - 2390 mm

* - with narrow corner transmission K2026-00-N03


Tilt and turn set “First Tilt”*
Hardware overviews
ECCENTRIC CUT

N°	Description	Application range by width	Application range by height	Part No.
1	Gear variable 0, L=320, 450-550	—	450-550	K1001-02-N03
	Gear variable 1, L=520, 551-750	—	551-750	K1001-04-N03
	Gear variable 2, L=1000, 751-1230, 1 ML	—	751-1230	K1001-09-N03
	Gear variable 3, L=1200, 950-1430, 1 ML	—	950-1430	K1001-11-N03
	Gear variable 4, L=1480, 1231-1710, 2 ML	—	1231-1710	K1001-14-N03
	Gear variable 5, L=1680, 1431-1910, 2 ML	—	1431-1910	K1001-16-N03
	Gear variable 6, L=2160, 1911-2390, 3 ML	—	1911-2390	K1001-21-N03
2b	Corner transmission, 1 MR, 115x115	480-1280	450-2390	K2025-00-N03
2c	Corner transmission, bottom, 1 MR, 115x115	480-1280	450-2390	K2028-00-N03
2d	Corner transmission, 2 MR, 115x115	480-1280	450-2390	K2032-00-N03
2e	Corner transmission, bottom, 2 MR, 115x115	480-1280	450-2390	K2029-00-N03
3a	Corner transmission, integrated slit, 1 MR, left/right, 115x115	480-1280	450-2390	K2034-00-L/R03
4a	Narrow corner transmission, 1 MR, 115x15	380-480	450-2390	K2026-00-N03
		480-680	370-550	
5	Stay arm, sash part 1, L=565, 480-680, left / right	480-680	—	K3030-06-L/R03
	Stay arm, sash part 2, L=685, 600-800, left / right	601-800	—	K3030-07-L/R03
	Stay arm, sash part 3, L=925, 801-1040, left / right	801-1040	—	K3030-09-L/R03
	Stay arm, sash part 4, L=1165, 1041-1280, left / right	1041-1280	—	K3030-12-L/R03
5b	Concealed stay arm “First Tilt” PVC, 13 mm, 480-800, left / right	480-800	—	A3005-02-L/R03
	Concealed stay arm “First Tilt” PVC, 13 mm, 801-1040, left / right	801-1040	—	A3005-03-L/R03
	Concealed stay arm “First Tilt” PVC, 13 mm, 1041-1280, left / right	1041-1280	—	A3005-04-L/R03
	Concealed stay arm “First Tilt” PVC, 9 mm, 480-800, left / right	480-800	—	A3006-02-L/R03
	Concealed stay arm “First Tilt” PVC, 9 mm, 801-1040, left / right	801-1040	—	A3006-03-L/R03
	Concealed stay arm “First Tilt” PVC, 9 mm, 1041-1280, left / right	1041-1280	—	A3006-04-L/R03
6	Middle lock L=400, 2 ML	600-1000	600-1000	K4004-04-N03
	Middle lock L=650, 2 ML	850-1250	850-1250	K4004-06-N03
	Middle lock L=720, 2 ML	920-1320	920-1320	K4004-07-N03
	Middle lock L=820, 2 ML	1251-1430	1251-1430	K4004-08-N03
	Middle lock L=1130, 3 ML	—	1251-1730	K4004-11-N03
6a	Middle lock L=400, 1 MR + 1 ML	600-1000	600-1000	K4008-04-N03
	Middle lock L=650, 1 MR + 1 ML	850-1250	850-1250	K4008-06-N03
	Middle lock L=820, 1 MR + 1 ML	1251-1430	1251-1430	K4008-08-N03
	Middle lock L=1130, 1 MR + 2 ML	—	1251-1730	K4008-11-N03
7	Middle lock extension, 1 ML, 480 mm	—	1710-2210	K4005-05-N03
	Middle lock extension, 1 ML, 680 mm	—	2211-2390	K4005-07-N03
10	Locking plate	—	—	*
10a	Locking plate safety	—	—	*
10c	Tilt locking plate “First Tilt”, left / right	—	—	*
11	Lifting plate	—	751-2390	*
12	Wrong operation safety device with sash lifter	—	751-2390	A7001-00-N03



Tilt and turn set “First Tilt”*

Hardware overviews

ECCENTRIC CUT

Nº	Description	Application range by width	Application range by height	Part No.
13	Concealed bottom hinge PVC, 9 mm, left	—	—	A5025-09-L03
	Concealed bottom hinge PVC, 9 mm, right	—	—	A5025-09-R03
	Concealed bottom hinge PVC, 13 mm, left	—	—	A5025-13-L03
	Concealed bottom hinge PVC, 13 mm, right	—	—	A5025-13-R03
14	Concealed bottom sash hinge, 9 mm, left	—	—	A5027-09-L03
	Concealed bottom sash hinge, 9 mm, right	—	—	A5027-09-R03
	Concealed bottom sash hinge, 13 mm, left	—	—	A5027-13-L03
	Concealed bottom sash hinge, 13 mm, right	—	—	A5027-13-R03
20	Concealed hinge packer, 13 mm, left	—	—	A7*-13-L03
	Concealed hinge packer, 13 mm, right	—	—	A7*-13-R03
21	Sash turning restrictor	—	—	A7110-00-N03
27	Locking plate, integrated slit	—	—	*
28	Locking plate for integrated slit (frame part)	—	—	*
29	Balcony catch	—	—	A7184-13-N03
29b	Balcony locking pin	—	—	A7207-00-N03
36	Extension lock for corner transmission 480 mm, 1 ML	—	—	K4010-00-N03
	Extension lock for corner transmission 680 mm, 1 ML	—	—	K4010-07-N03
	Extension lock for corner transmission 880 mm, 2 ML	—	—	K4010-09-N03
	Extension lock for corner transmission 480 mm, 1 MR	—	—	K4030-00-N03
39	Extension lock 240 mm, 1 MR	—	—	K4050-02-N03
	Extension lock 480 mm, 1 MR	—	—	K4050-05-N03

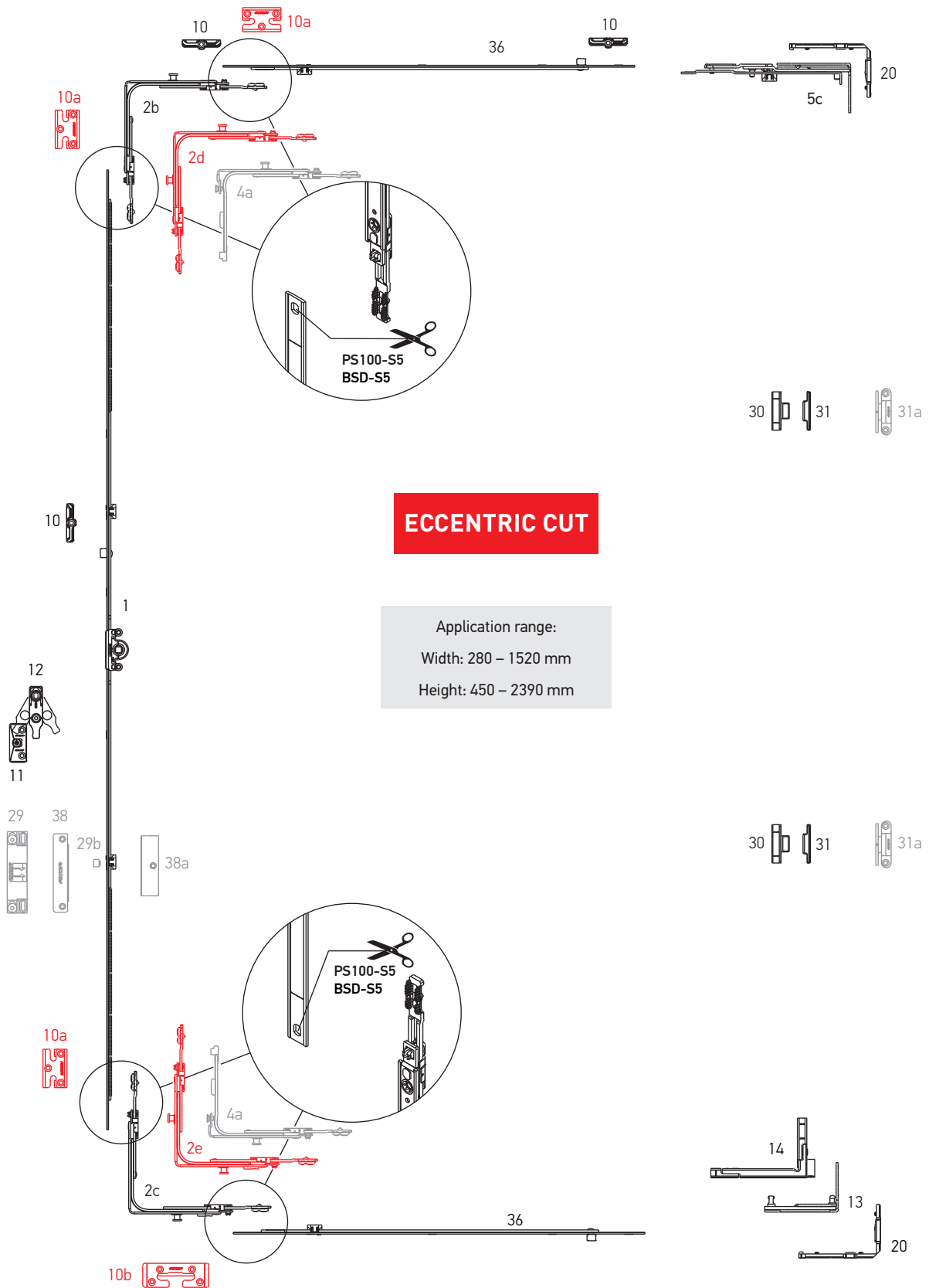
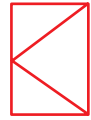
* – see the section “Profile-dependent elements” of catalogues KOMFORT LINE K-3 Smart & Quick or ELITE+



Turn set

Hardware overviews

Turn set. Eccentric cut.





Turn set

Hardware overviews

ECCENTRIC CUT

Nº	Description	Application range by width	Application range by height	Part No.
1	Gear variable 0, L=320, 450-550	—	450-550	K1001-02-N03
	Gear variable 1, L=520, 551-750	—	551-750	K1001-04-N03
	Gear variable 2, L=1000, 751-1230, 1 ML	—	751-1230	K1001-09-N03
	Gear variable 3, L=1200, 950-1430, 1 ML	—	950-1430	K1001-11-N03
	Gear variable 4, L=1480, 1231-1710, 2 ML	—	1231-1710	K1001-14-N03
	Gear variable 5, L=1680, 1431-1910, 2 ML	—	1431-1910	K1001-16-N03
	Gear variable 6, L=2160, 1911-2390, 3 ML	—	1911-2390	K1001-21-N03
2b	Corner transmission, 1 MR, 115x115	400-1280	450-2390	K2025-00-N03
2c	Corner transmission, bottom, 1 MR, 115x115	400-1280	450-2390	K2028-00-N03
2d	Corner transmission, 2 MR, 115x115	400-1280	450-2390	K2032-00-N03
2e	Corner transmission, bottom, 2 MR, 115x115	400-1280	450-2390	K2029-00-N03
4a	Narrow corner transmission, 1 MR, 115x15	380-480	450-2390	K2026-00-N03
		480-680	370-550	
5c	Concealed side hung top hinge PVC, 9 mm, left / right	—	—	A5023-09-L/R03
	Concealed side hung top hinge PVC, 13 mm, left / right	—	—	A5023-13-L/R03
10	Locking plate	—	—	*
10a	Locking plate safety	—	—	*
10b	Tilt locking plate safety	—	—	*
11	Lifting plate	—	751-2390	*
12	Wrong operation safety device with sash lifter	—	751-2390	A7001-00-N03
13	Concealed bottom hinge PVC, 9 mm, left / right	—	—	A5025-09-L/R03
	Concealed bottom hinge PVC, 13 mm, left / right	—	—	A5025-13-L/R03
14	Concealed bottom sash hinge, 9 mm, left / right	—	—	A5027-09-L/R03
	Concealed bottom sash hinge, 13 mm, left / right	—	—	A5027-13-L/R03
20	Concealed hinge packer, 13 mm, left / right	—	—	A7*-13-L/R03
29	Balcony catch	—	—	A7184-13-N03
29b	Balcony locking pin	—	—	A7207-00-N03
30	Concealed middle hinge, sash part	—	—	A7056-00-N03
31	Concealed middle hinge, frame part	—	—	A7057-**-N03
31a	Middle hinge (white)	—	—	A7185-00-N01
36	Extension lock for corner transmission 480 mm, 1 ML	—	—	K4010-00-N03
	Extension lock for corner transmission 680 mm, 1 ML	—	—	K4010-07-N03
	Extension lock for corner transmission 880 mm, 2 ML	—	—	K4010-09-N03
	Extension lock for corner transmission 480 mm, 1 MR	—	—	K4030-00-N03
38	Magnetic balcony catch, frame part	—	—	A7053-00-N03
38a	Magnetic balcony catch, sash part	—	—	A7055-**-N03

* – see the section “Profile-dependent elements” of catalogues KOMFORT LINE K-3 Smart & Quick or ELITE+

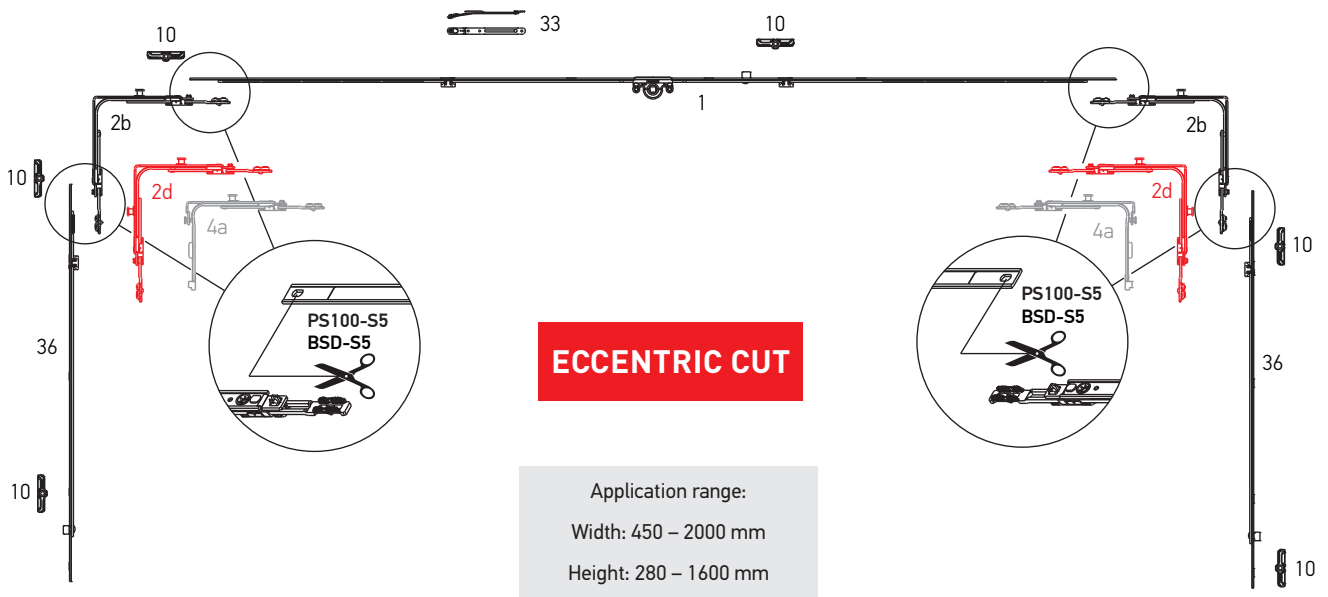
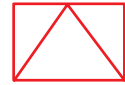
** – according to displacement axis of sash groove (9 mm, 10 mm, 13 mm, 14 mm)



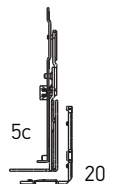
Tilt set

Hardware overviews

Tilt set. Eccentric cut.



- 30
- 31
- 31a





Tilt set

Hardware overviews

ECCENTRIC CUT

Nº	Description	Application range by width	Application range by height	Part No.
1	Gear variable 0, L=320, 450-550	—	450-550	K1001-02-N03
	Gear variable 1, L=520, 551-750	—	551-750	K1001-04-N03
	Gear variable 2, L=1000, 751-1230, 1 ML	—	751-1230	K1001-09-N03
	Gear variable 3, L=1200, 950-1430, 1 ML	—	950-1430	K1001-11-N03
	Gear variable 4, L=1480, 1231-1710, 2 ML	—	1231-1710	K1001-14-N03
	Gear variable 5, L=1680, 1431-1910, 2 ML	—	1431-1910	K1001-16-N03
	Gear variable 6, L=2160, 1911-2390, 3 ML	—	1911-2390	K1001-21-N03
2b	Corner transmission, 1 MR, 115x115	330-1280	450-2390	K2025-00-N03
2c	Corner transmission, bottom, 1 MR, 115x115	330-1280	450-2390	K2028-00-N03
2d	Corner transmission, 2 MR, 115x115	330-1280	450-2390	K2032-00-N03
2e	Corner transmission, bottom, 2 MR, 115x115	330-1280	450-2390	K2029-00-N03
4a	Narrow corner transmission, 1 MR, 115x15	280-1280	450-2390	K2026-00-N03
		330-520	290-350	
5c	Concealed side hung top hinge PVC, 9 mm, left	—	—	A5023-09-L03
	Concealed side hung top hinge PVC, 9 mm, right	—	—	A5023-09-R03
	Concealed side hung top hinge PVC, 13 mm, left	—	—	A5023-13-L03
	Concealed side hung top hinge PVC, 13 mm, right	—	—	A5023-13-R03
10	Locking plate	—	—	*
20	Concealed hinge packer, 13 mm, left	—	—	A7*-13-L03
	Concealed hinge packer, 13 mm, right	—	—	A7*-13-R03
30	Concealed middle hinge, sash part	—	—	A7056-00-N03
31	Concealed middle hinge, frame part	—	—	A7057-**-N03
31a	Middle hinge (white)	—	—	A7185-00-N01
33	Tilt stay arm	—	—	A7107-00-N03
	Tilt stay arm	—	—	A7017-00-N03
36	Extension lock for corner transmission 480 mm, 1 ML	—	—	K4010-00-N03
	Extension lock for corner transmission 680 mm, 1 ML	—	—	K4010-07-N03
	Extension lock for corner transmission 880 mm, 2 ML	—	—	K4010-09-N03
	Extension lock for corner transmission 480 mm, 1 MR	—	—	K4030-00-N03

* – see the section “Profile-dependent elements” of catalogues KOMFORT LINE K-3 Smart & Quick or ELITE+

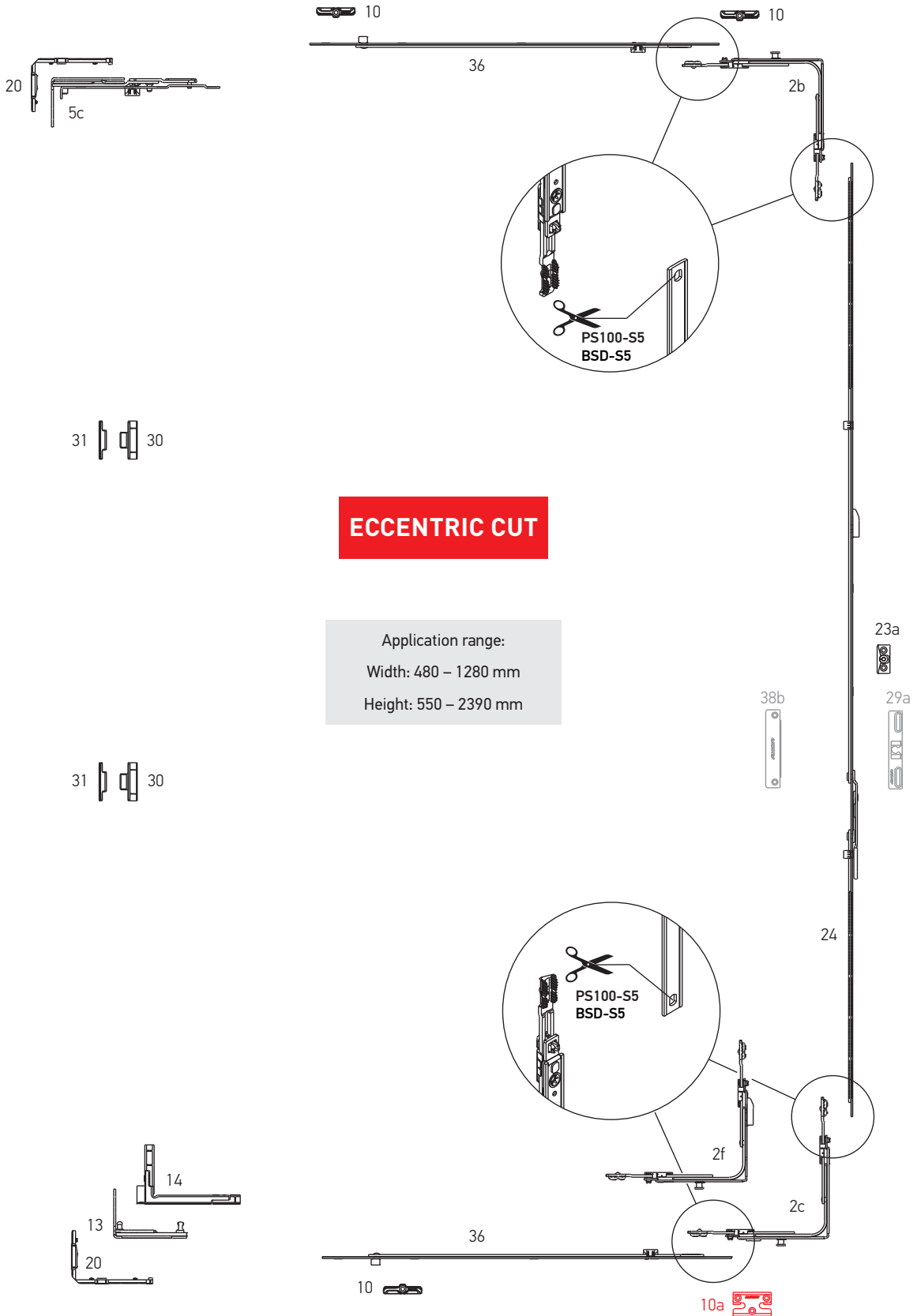
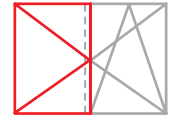
** – according to displacement axis of sash groove (9 mm, 10 mm, 13 mm, 14 mm)



Double sash

Hardware overviews

Secondary sash of double-sash window. Eccentric cut.



ECCENTRIC CUT

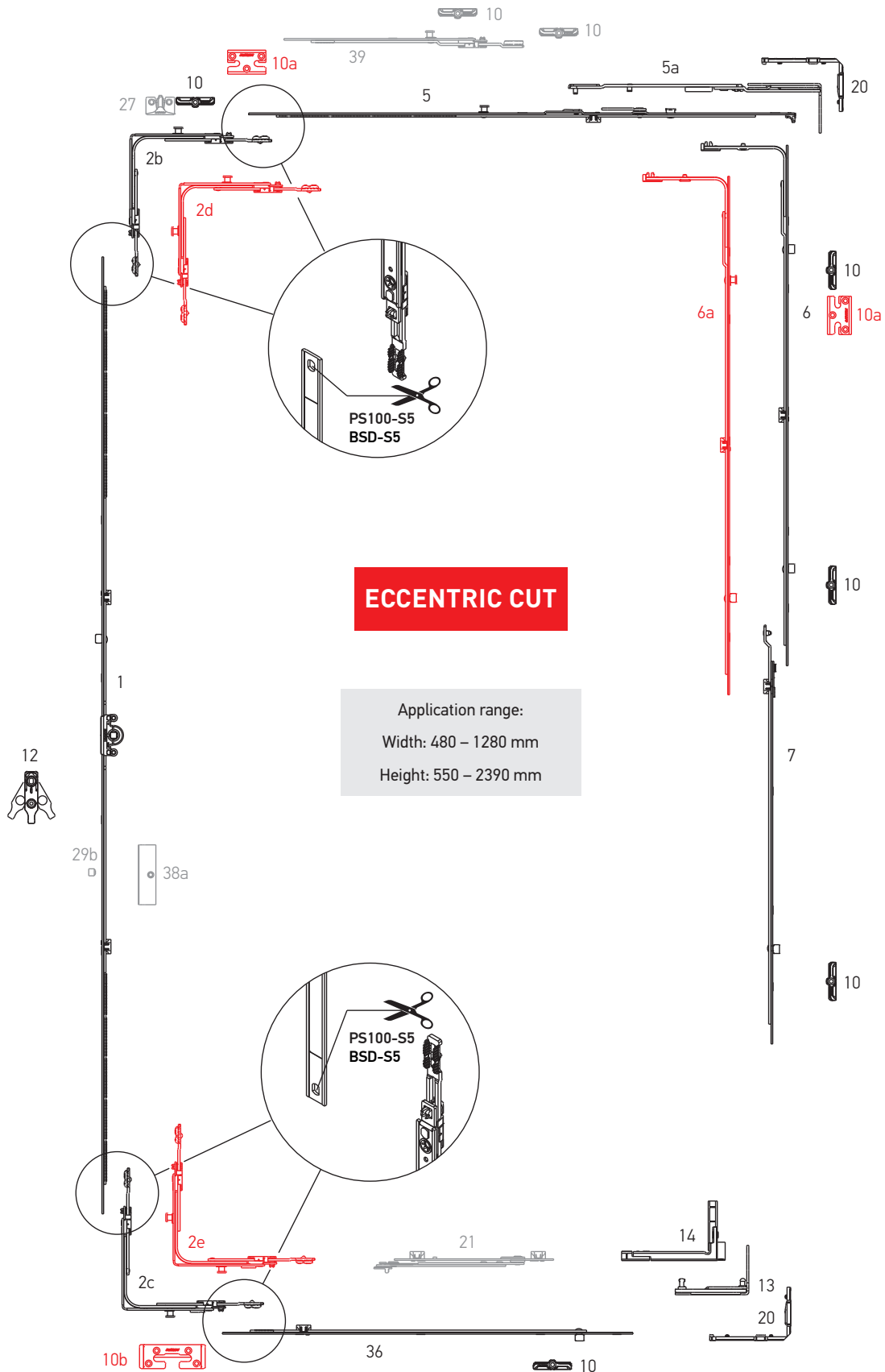
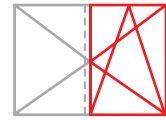
Application range:
Width: 480 – 1280 mm
Height: 550 – 2390 mm



Double sash

Hardware overviews

Main sash. Eccentric cut.




Double sash
Hardware overviews
ECCENTRIC CUT

Nº	Description	Application range by width	Application range by height	Part No.
1	Gear variable 1, L=520, 551-750	—	551-750	K1001-04-N03
	Gear variable 2, L=1000, 751-1230, 1 ML	—	751-1230	K1001-09-N03
	Gear variable 3, L=1200, 950-1430, 1 ML	—	950-1430	K1001-11-N03
	Gear variable 5, L=1680, 1431-1910, 2 ML	—	1431-1910	K1001-16-N03
	Gear variable 6, L=2160, 1911-2390, 3 ML	—	1911-2390	K1001-21-N03
2b	Corner transmission, 1 MR, 115x115	480-1280	450-2390	K2025-00-N03
2c	Corner transmission, bottom, 1 MR, 115x115	480-1280	450-2390	K2028-00-N03
2d	Corner transmission, 2 MR, 115x115	480-1280	450-2390	K2032-00-N03
2e	Corner transmission, bottom, 2 MR, 115x115	480-1280	450-2390	K2029-00-N03
2f	Corner transmission, double sash, bottom, 1 MR, 115x115	400-1280	550-2390	K2030-00-N03
5	Stay arm, sash part 1, L=565, 480-680, left / right	480-680	—	K3030-06-L/R03
	Stay arm, sash part 2, L=685, 600-800, left / right	601-800	—	K3030-07-L/R03
	Stay arm, sash part 3, L=925, 801-1040, left / right	801-1040	—	K3030-09-L/R03
	Stay arm, sash part 4, L=1165, 1041-1280, left / right	1041-1280	—	K3030-12-L/R03
5a	Concealed stay arm PVC, 13 mm, 480-800, left / right	480-800	—	A3001-02-L/R03
	Concealed stay arm PVC, 13 mm, 801-1040, left / right	801-1040	—	A3001-03-L/R03
	Concealed stay arm PVC, 13 mm, 1041-1280, left / right	1041-1280	—	A3001-04-L/R03
	Concealed stay arm PVC, 9 mm, 480-800, left / right	480-800	—	A3002-02-L/R03
	Concealed stay arm PVC, 9 mm, 801-1040, left / right	801-1040	—	A3002-03-L/R03
	Concealed stay arm PVC, 9 mm, 1041-1280, left / right	1041-1280	—	A3002-04-L/R03
5c	Concealed side hung top hinge PVC, 9 mm, left	—	—	A5023-09-L03
	Concealed side hung top hinge PVC, 9 mm, right	—	—	A5023-09-R03
	Concealed side hung top hinge PVC, 13 mm, left	—	—	A5023-13-L03
	Concealed side hung top hinge PVC, 13 mm, right	—	—	A5023-13-R03
6	Middle lock L=400, 2 ML	600-1000	600-1000	K4004-04-N03
	Middle lock L=650, 2 ML	850-1250	850-1250	K4004-06-N03
	Middle lock L=720, 2 ML	920-1320	920-1320	K4004-07-N03
	Middle lock L=820, 2 ML	1251-1430	1251-1430	K4004-08-N03
	Middle lock L=1130, 3 ML	—	1251-1730	K4004-11-N03
6a	Middle lock L=400, 1 MR + 1 ML	600-1000	600-1000	K4008-04-N03
	Middle lock L=650, 1 MR + 1 ML	850-1250	850-1250	K4008-06-N03
	Middle lock L=820, 1 MR + 1 ML	1251-1430	1251-1430	K4008-08-N03
	Middle lock L=1130, 1 MR + 2 ML	—	1251-1730	K4008-11-N03
7	Middle lock extension, 1 ML, 480 mm	—	1710-2210	K4005-05-N03
	Middle lock extension, 1 ML, 680 mm	—	2231-2390	K4005-07-N03
10	Locking plate	—	—	*
10a	Locking plate safety	—	—	*
10b	Tilt locking plate safety	—	—	*
12	Wrong operation safety device with sash lifter	—	751-2390	A7001-00-N03



Double sash

Hardware overviews

ECCENTRIC CUT

Nº	Description	Application range by width	Application range by height	Part No.
13	Concealed bottom hinge PVC, 9 mm, left	—	—	A5025-09-L03
	Concealed bottom hinge PVC, 9 mm, right	—	—	A5025-09-R03
	Concealed bottom hinge PVC, 13 mm, left	—	—	A5025-13-L03
	Concealed bottom hinge PVC, 13 mm, right	—	—	A5025-13-R03
14	Concealed bottom sash hinge, 9 mm, left	—	—	A5027-09-L03
	Concealed bottom sash hinge, 9 mm, right	—	—	A5027-09-R03
	Concealed bottom sash hinge, 13 mm, left	—	—	A5027-13-L03
	Concealed bottom sash hinge, 13 mm, right	—	—	A5027-13-R03
20	Concealed hinge packer, 13 mm, left	—	—	A7*-13-L03
	Concealed hinge packer, 13 mm, right	—	—	A7*-13-R03
21	Sash turning restrictor	—	—	A7110-00-N03
23a	Lifting plate for double sash, sash part	—	—	A6001-00-N03
24	Double-sash gear 1 L=520, 551-750	—	551-750	K1002-04-N03
	Double-sash gear 2 L=720, 751-950	—	751-950	K1002-06-N03
	Double-sash gear 3 L=1200, 951-1430	—	951-1430	K1002-11-N03
	Double-sash gear 4 L=1680, 1431-1910	—	1431-1910	K1002-16-N03
	Double-sash gear 5 L=2160, 1911-2390	—	1911-2390	K1002-21-N03
27	Locking plate, integrated slit	—	—	*
29a	Balcony catch for double-sash gear	—	1911-2390	A7047-00-N03
29b	Balcony locking pin	—	—	A7207-00-N03
30	Concealed middle hinge, sash part	—	—	A7056-00-N03
31	Concealed middle hinge, frame part	—	—	A7057-**-N03
36	Extension lock for corner transmission 480 mm, 1 ML	—	—	K4010-00-N03
	Extension lock for corner transmission 680 mm, 1 ML	—	—	K4010-07-N03
	Extension lock for corner transmission 880 mm, 2 ML	—	—	K4010-09-N03
	Extension lock for corner transmission 480 mm, 1 MR	—	—	K4030-00-N03
38a	Magnetic balcony catch, sash part	—	—	A7055-**-N03
38b	Magnetic Balcony catch for double-sash gear, frame part	—	—	A7054-00-N03
39	Extension lock 240 mm, 1 MR	—	—	K4050-02-N03
	Extension lock 480 mm, 1 MR	—	—	K4050-05-N03

* – see the section “Profile-dependent elements” of catalogues KOMFORT LINE K-3 Smart & Quick or ELITE+

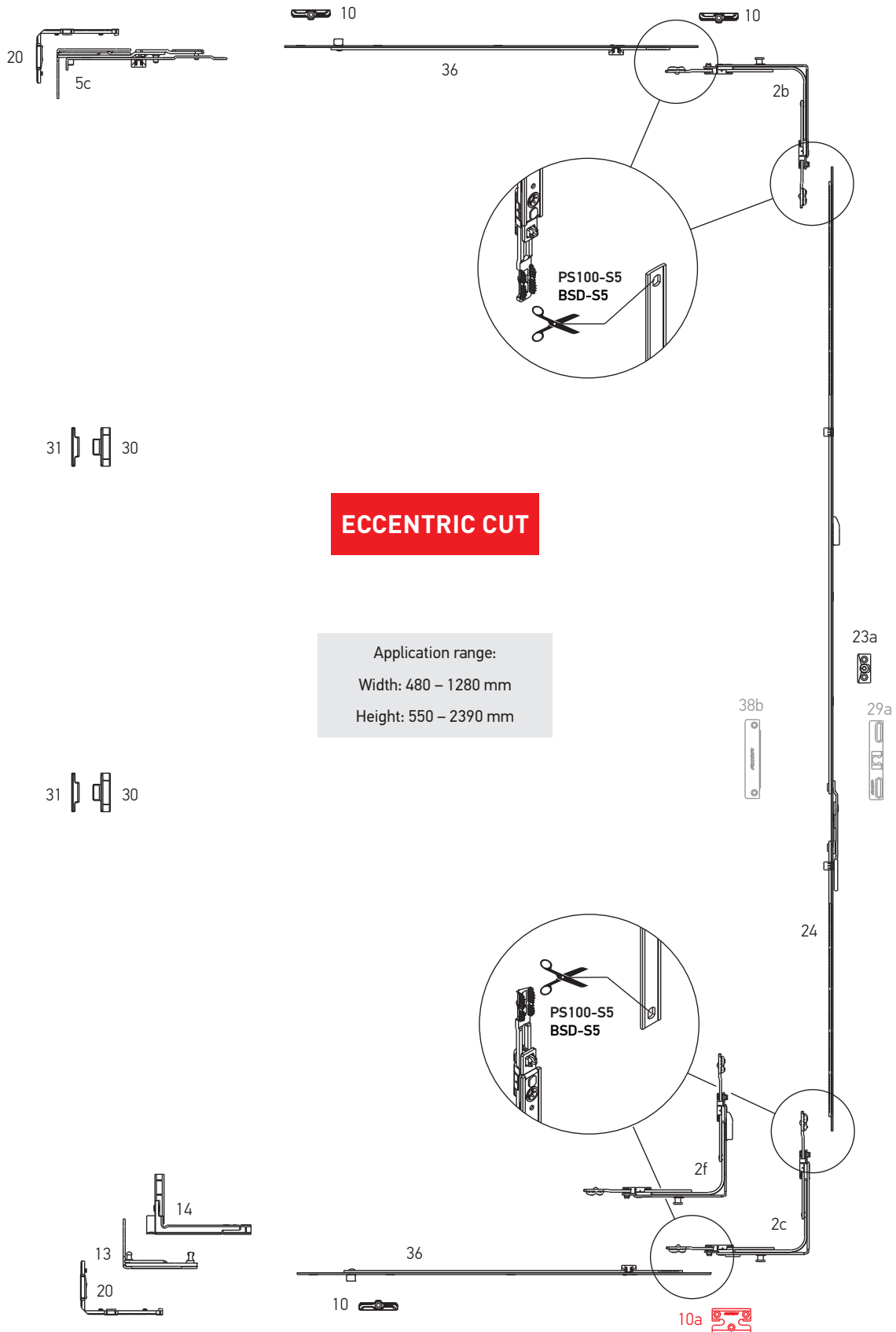
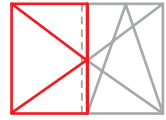
** – according to displacement axis of sash groove (9 mm, 10 mm, 13 mm, 14 mm)



Double sash "First Tilt"

Hardware overviews

Secondary sash of double-sash window. "First Tilt". Eccentric cut.



ECCENTRIC CUT

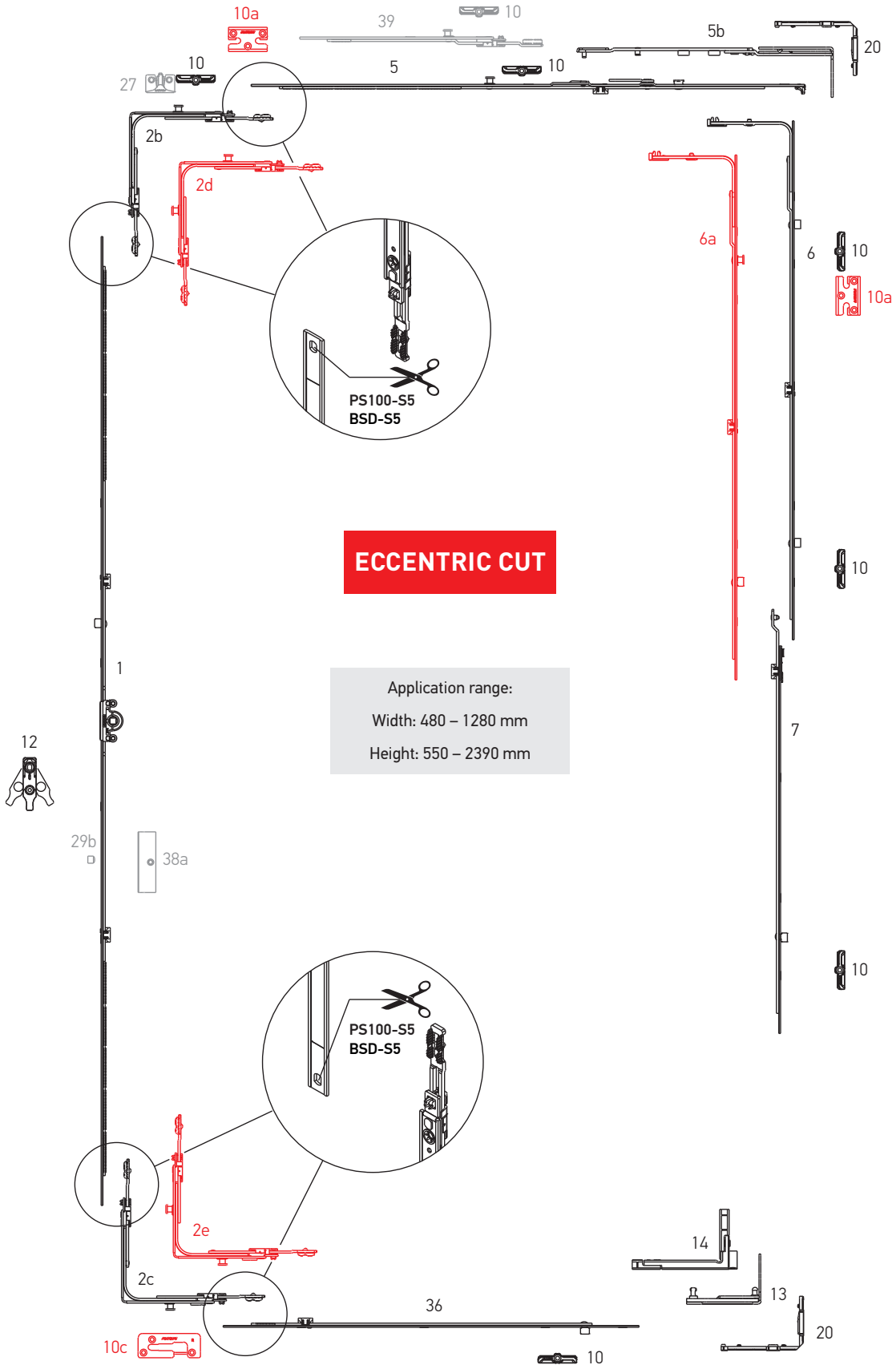
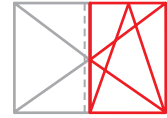
Application range:
Width: 480 – 1280 mm
Height: 550 – 2390 mm



Double sash "First Tilt"

Hardware overviews

Main sash "First Tilt". Eccentric cut.





Double sash "First Tilt"

Hardware overviews

ECCENTRIC CUT

Nº	Description	Application range by width	Application range by height	Part No.
1	Gear variable 1, L=520, 551-750	—	551-750	K1001-04-N03
	Gear variable 2, L=1000, 751-1230, 1 ML	—	751-1230	K1001-09-N03
	Gear variable 3, L=1200, 950-1430, 1 ML	—	950-1430	K1001-11-N03
	Gear variable 5, L=1680, 1431-1910, 2 ML	—	1431-1910	K1001-16-N03
	Gear variable 6, L=2160, 1911-2390, 3 ML	—	1911-2390	K1001-21-N03
2b	Corner transmission, 1 MR, 115x115	480-1280	450-2390	K2025-00-N03
2c	Corner transmission, bottom, 1 MR, 115x115	480-1280	450-2390	K2028-00-N03
2d	Corner transmission, 2 MR, 115x115	480-1280	450-2390	K2032-00-N03
2e	Corner transmission, bottom, 2 MR, 115x115	480-1280	450-2390	K2029-00-N03
2f	Corner transmission, double sash, bottom, 1 MR, 115x115	480-1280	550-2390	K2030-00-N03
5	Stay arm, sash part 1, L=565, 480-680, left / right	480-680	—	K3030-06-L/R03
	Stay arm, sash part 2, L=685, 600-800, left / right	601-800	—	K3030-07-L/R03
	Stay arm, sash part 3, L=925, 801-1040, left / right	801-1040	—	K3030-09-L/R03
	Stay arm, sash part 4, L=1165, 1041-1280, left / right	1041-1280	—	K3030-12-L/R03
5b	Concealed stay arm "First Tilt" PVC, 13 mm, 480-800, left / right	480-800	—	A3005-02-L/R03
	Concealed stay arm "First Tilt" PVC, 13 mm, 801-1040, left / right	801-1040	—	A3005-03-L/R03
	Concealed stay arm "First Tilt" PVC, 13 mm, 1041-1280, left / right	1041-1280	—	A3005-04-L/R03
	Concealed stay arm "First Tilt" PVC, 9 mm, 480-800, left / right	480-800	—	A3006-02-L/R03
	Concealed stay arm "First Tilt" PVC, 9 mm, 801-1040, left / right	801-1040	—	A3006-03-L/R03
	Concealed stay arm "First Tilt" PVC, 9 mm, 1041-1280, left / right	1041-1280	—	A3006-04-L/R03
5c	Concealed side hung top hinge PVC, 9 mm, left	—	—	A5023-09-L03
	Concealed side hung top hinge PVC, 9 mm, right	—	—	A5023-09-R03
	Concealed side hung top hinge PVC, 13 mm, left	—	—	A5023-13-L03
	Concealed side hung top hinge PVC, 13 mm, right	—	—	A5023-13-R03
6	Middle lock L=400, 2 ML	600-1000	600-1000	K4004-04-N03
	Middle lock L=650, 2 ML	850-1250	850-1250	K4004-06-N03
	Middle lock L=720, 2 ML	920-1320	920-1320	K4004-07-N03
	Middle lock L=820, 2 ML	1251-1430	1251-1430	K4004-08-N03
	Middle lock L=1130, 3 ML	—	1251-1730	K4004-11-N03
6a	Middle lock L=400, 1 MR + 1 ML	600-1000	600-1000	K4008-04-N03
	Middle lock L=650, 1 MR + 1 ML	850-1250	850-1250	K4008-06-N03
	Middle lock L=820, 1 MR + 1 ML	1251-1430	1251-1430	K4008-08-N03
	Middle lock L=1130, 1 MR + 2 ML	—	1251-1730	K4008-11-N03
7	Middle lock extension, 1 ML, 480 mm	—	1710-2210	K4005-05-N03
	Middle lock extension, 1 ML, 680 mm	—	2231-2390	K4005-07-N03
10	Locking plate	—	—	*
10a	Locking plate safety	—	—	*
10c	Tilt locking plate "First Tilt", left / right	—	—	*
12	Wrong operation safety device with sash lifter	—	751-2390	A7001-00-N03



Double sash "First Tilt"

Hardware overviews

ECCENTRIC CUT

Nº	Description	Application range by width	Application range by height	Part No.
13	Concealed bottom hinge PVC, 9 mm, left	—	—	A5025-09-L03
	Concealed bottom hinge PVC, 9 mm, right	—	—	A5025-09-R03
	Concealed bottom hinge PVC, 13 mm, left	—	—	A5025-13-L03
	Concealed bottom hinge PVC, 13 mm, right	—	—	A5025-13-R03
14	Concealed bottom sash hinge, 9 mm, left	—	—	A5027-09-L03
	Concealed bottom sash hinge, 9 mm, right	—	—	A5027-09-R03
	Concealed bottom sash hinge, 13 mm, left	—	—	A5027-13-L03
	Concealed bottom sash hinge, 13 mm, right	—	—	A5027-13-R03
20	Concealed hinge packer, 13 mm, left	—	—	A7*-13-L03
	Concealed hinge packer, 13 mm, right	—	—	A7*-13-R03
23a	Lifting plate for double sash, sash part	—	—	A6001-00-N03
24	Double-sash gear 1 L=520, 551-750	—	551-750	K1002-04-N03
	Double-sash gear 2 L=720, 751-950	—	751-950	K1002-06-N03
	Double-sash gear 3 L=1200, 951-1430	—	951-1430	K1002-11-N03
	Double-sash gear 4 L=1680, 1431-1910	—	1431-1910	K1002-16-N03
	Double-sash gear 5 L=2160, 1911-2390	—	1911-2390	K1002-21-N03
27	Locking plate, integrated slit	—	—	*
29a	Balcony catch for double-sash gear	—	1911-2390	A7047-00-N03
29b	Balcony locking pin	—	—	A7207-00-N03
30	Concealed middle hinge, sash part	—	—	A7056-00-N03
31	Concealed middle hinge, frame part	—	—	A7057-**-N03
36	Extension lock for corner transmission 480 mm, 1 ML	—	—	K4010-00-N03
	Extension lock for corner transmission 680 mm, 1 ML	—	—	K4010-07-N03
	Extension lock for corner transmission 880 mm, 2 ML	—	—	K4010-09-N03
	Extension lock for corner transmission 480 mm, 1 MR	—	—	K4030-00-N03
38a	Magnetic balcony catch, sash part	—	—	A7055-**-N03
38b	Magnetic Balcony catch for double-sash gear, frame part	—	—	A7054-00-N03
39	Extension lock 240 mm, 1 MR	—	—	K4050-02-N03
	Extension lock 480 mm, 1 MR	—	—	K4050-05-N03

* – according to displacement axis of sash groove (9 mm, 10 mm, 13 mm, 14 mm)

** – see the section "Profile-dependent elements" of catalogues KOMFORT LINE K-3 Smart & Quick or ELITE+

AXOR[®]

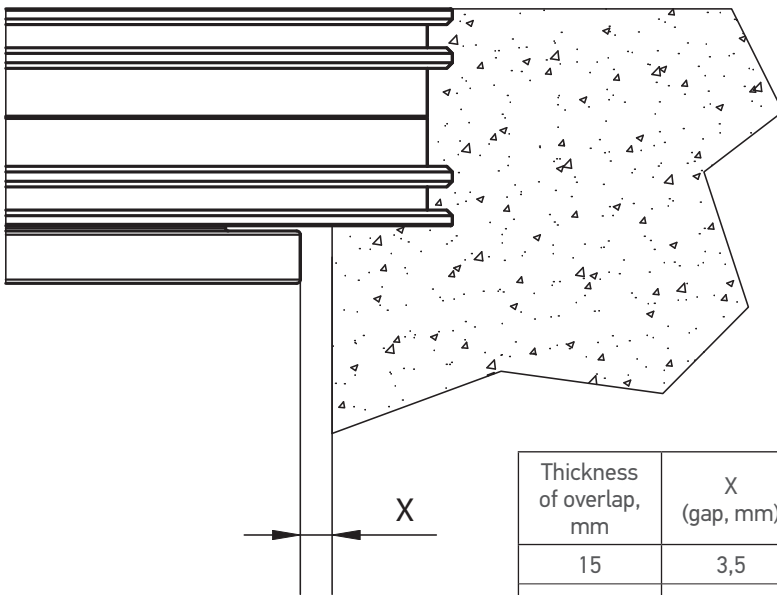
ELITE +

Tools
Installation
Adjustments

AXOR

**Minimum hinges' clearance**

Tools / Installation / Adjustments



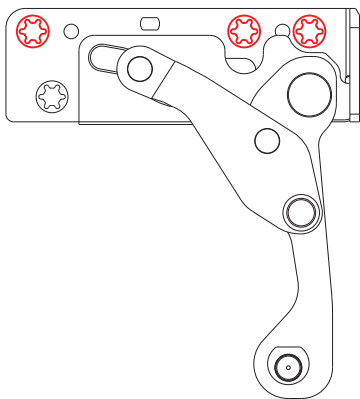
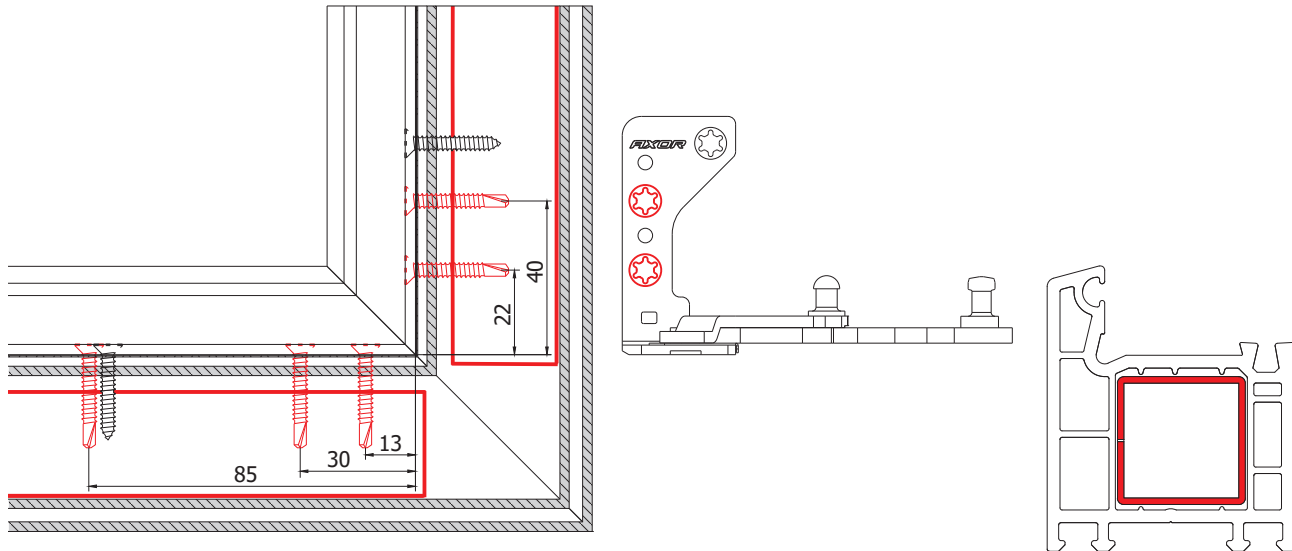
Thickness of overlap, mm	X (gap, mm)
15	3,5
18	5,5
22	8,5



Recommendations

Tools / Installation / Adjustments

Recommendations for usage of reinforcing profile in a frame

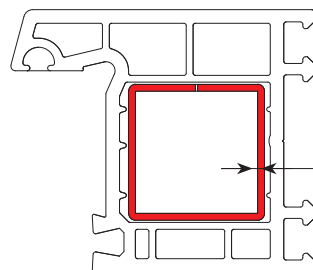


All screws must be installed into the reinforcing profile

Minimum sizes of clearance between a frame and a sash:

- Bottom min. 12,5 mm
- Top min. 12 mm
- Left / right min. 12 mm

For manufacturers of translucent constructions it is recommended to reduce the sash size by 0,5-1 mm in HEIGHT (total height rebate 24,5-25 mm) in relation to the sash size with visible hinges (total height rebate 24 mm).



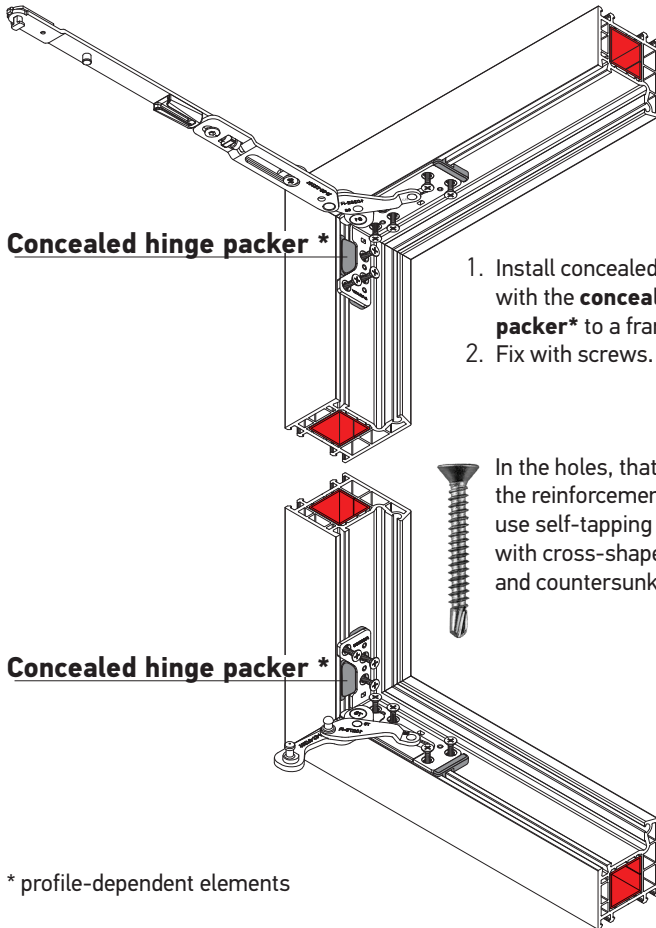
Reinforcing profile - square, thickness min. 2 mm



Hinges' installation

Tools / Installation / Adjustments

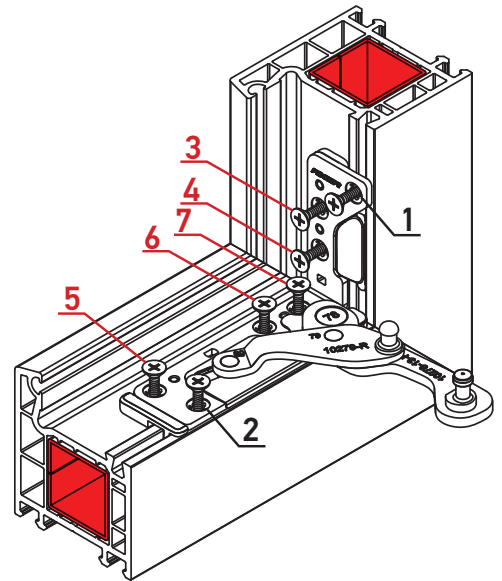
Hinges' installation on a frame



1. Install concealed stay arm with the **concealed hinge packer*** to a frame.
2. Fix with screws.

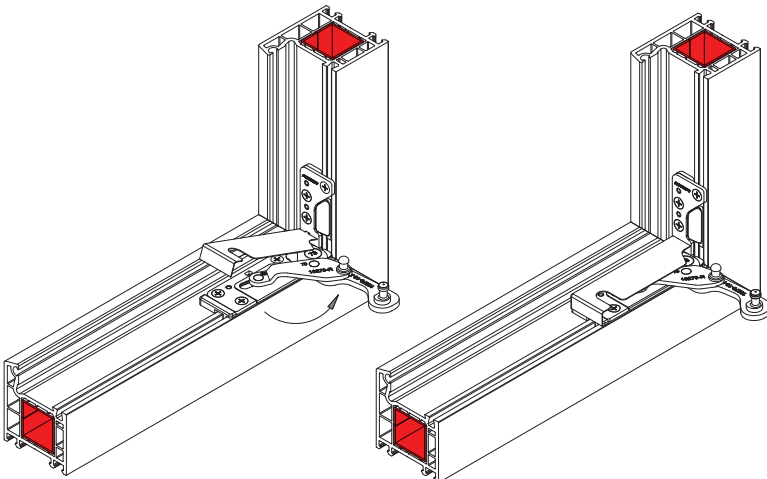
In the holes, that go through the reinforcement steel, use self-tapping screws 4.5 * 38 with cross-shaped slot and countersunk head.

- Screwing procedure:
- Screws **1** and **2** for PVC in the groove for glassing bead
 - Self-tapping screws **3-7** into reinforcement steel
 - Screw the screw **7** with an extended screwdriver bit or a manual screw driver.
 - Strictly observe the perpendicular axis when tightening the screws.



Installation of a decorative cover

1. Open the hinge.
2. Install the cover in a hole on vertical part of the hinge.
3. Fasten the cover on horizontal part of the hinge.

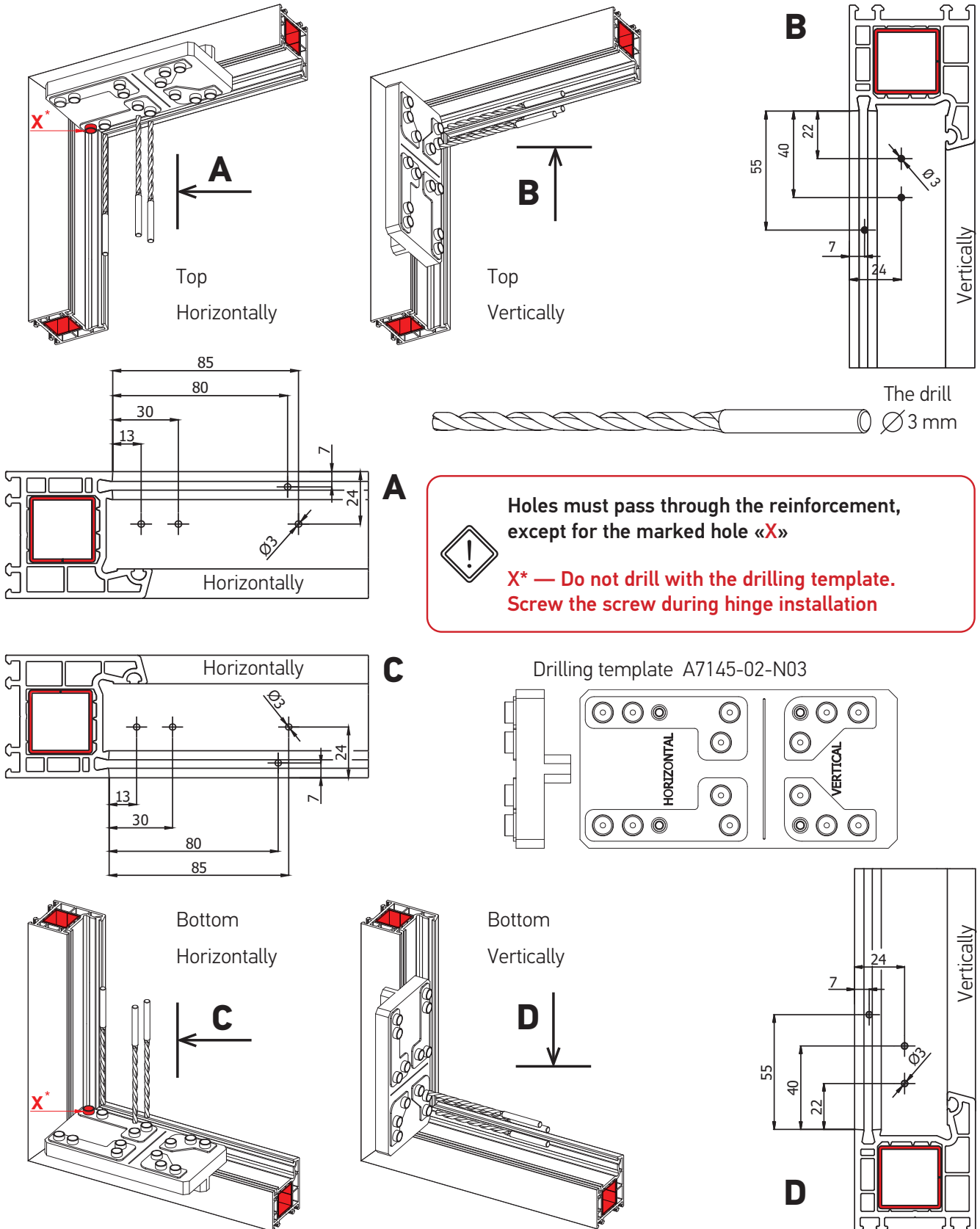




Drilling guidance

Tools / Installation / Adjustments

Drilling guidance for top and bottom hinges on a frame, on the left

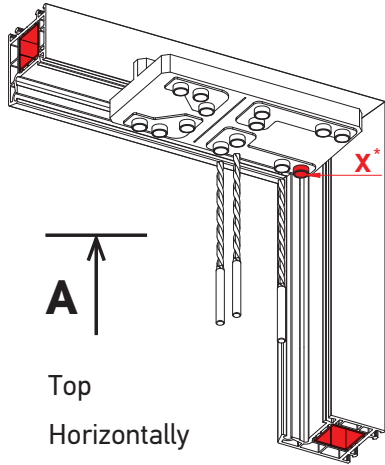




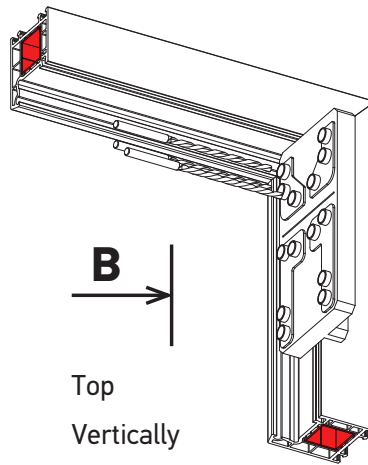
Drilling guidance

Tools / Installation / Adjustments

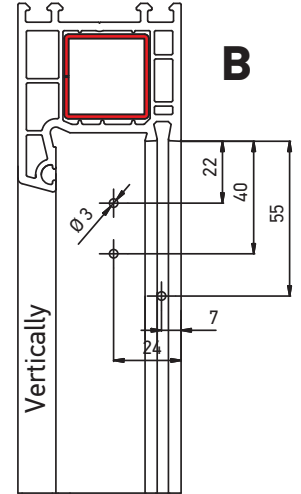
Drilling guidance for top and bottom hinges on a frame, on the right



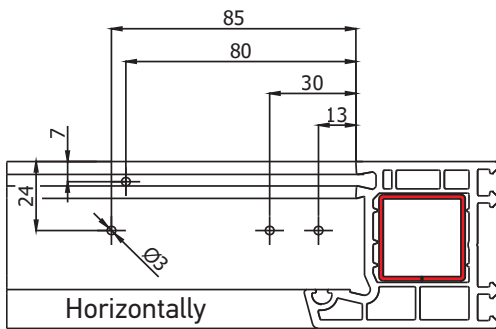
Top
Horizontally



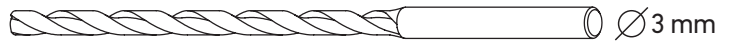
Top
Vertically



B



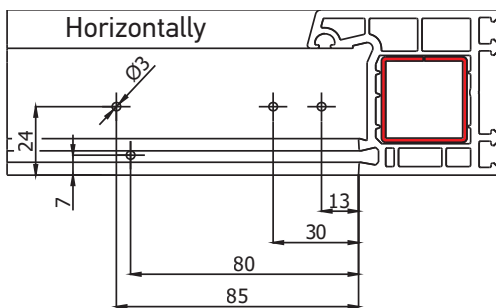
A



The drill
Ø 3 mm

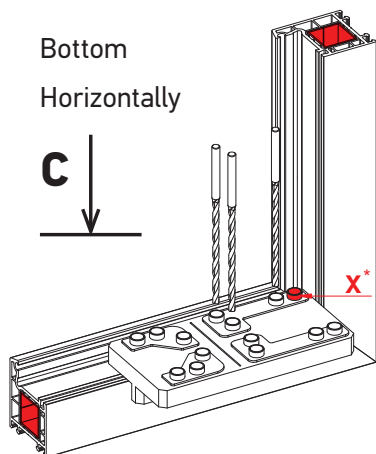
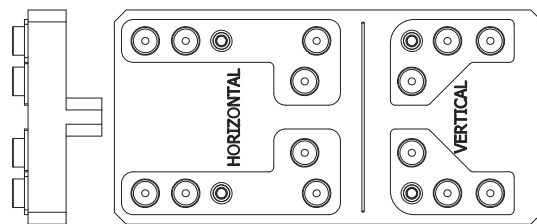
Holes must pass through the reinforcement, except for the marked hole «X»

X* — Do not drill with the drilling template. Screw the screw during hinge installation

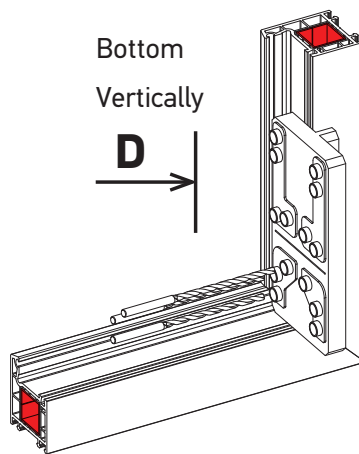


C

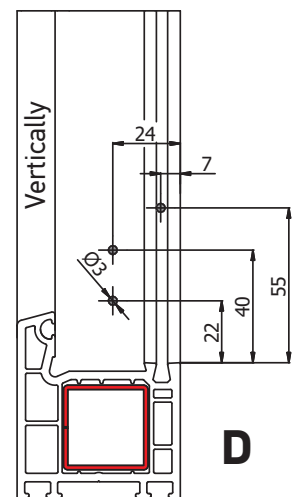
Drilling template A7145-02-N03



Bottom
Horizontally



Bottom
Vertically



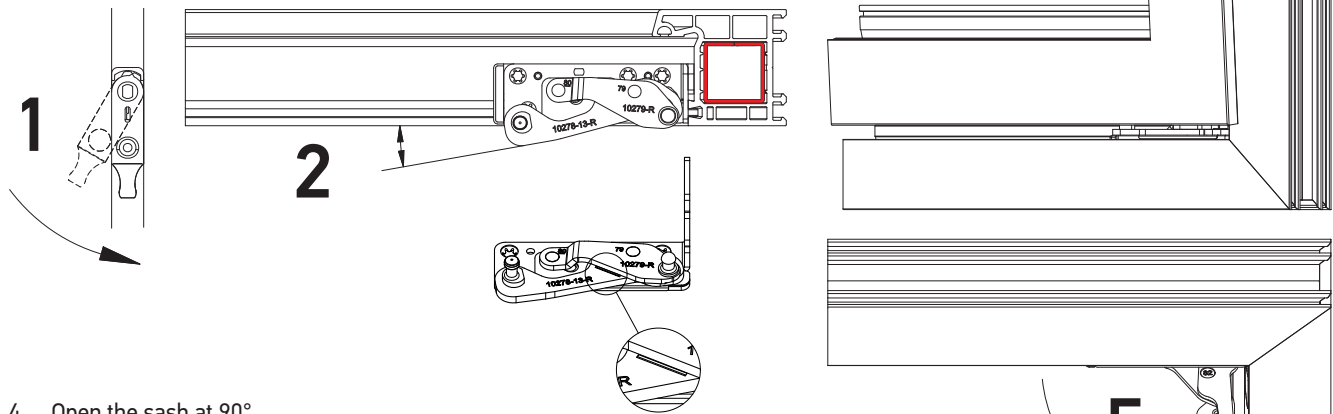
D



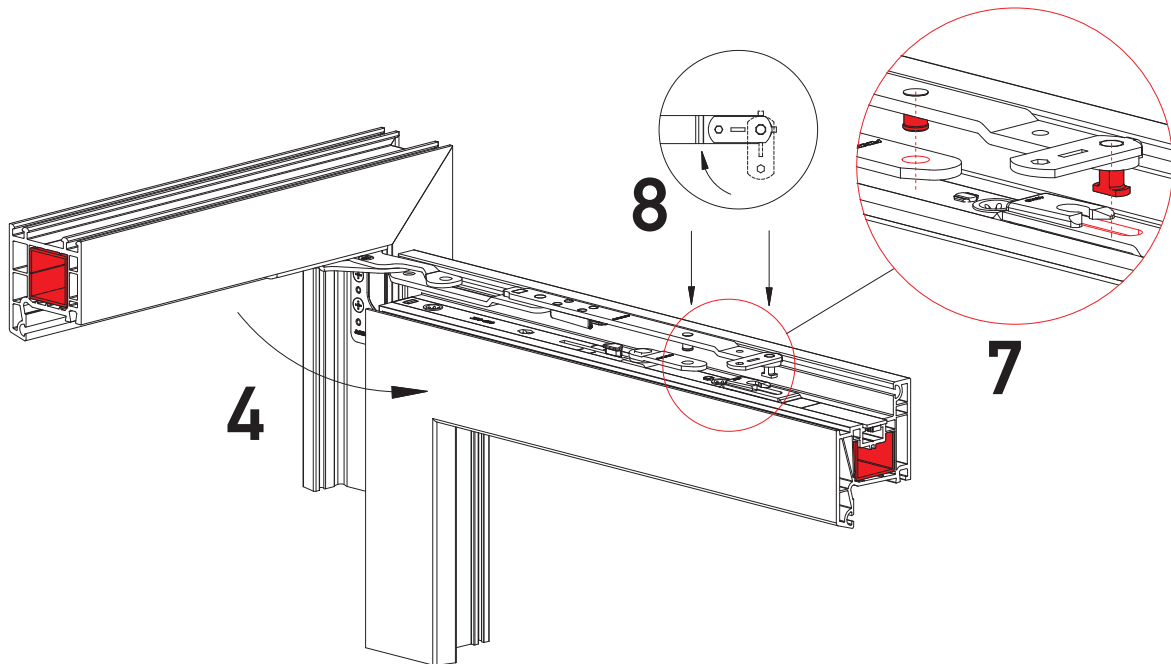
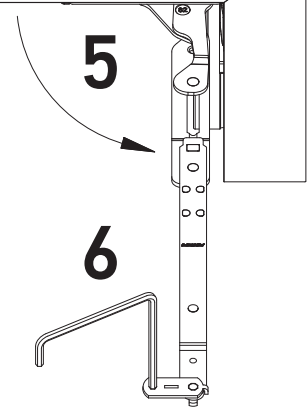
Sash's installation

Tools / Installation / Adjustments

1. Move the wrong operation safety device to the "middle" position and turn a handle to the "tilt" position.
2. Open the concealed bottom hinge at an angle of $\approx 5-10^\circ$, until the mark coincides with the lever.
3. Slightly tilting a sash to install it on the concealed bottom hinge.



4. Open the sash at 90° .
5. Open the concealed stay arm.
6. Turn a locking plate using hex 4mm, until it stops.
7. Connect the concealed stay arm with the concealed stay arm connecting plate and close the locking plate.
8. Block the locking plate on the stay arm.
9. Rotate the handle into the turn position
10. Turn the wrong operation safety device according to direction of opening
11. Close the sash.

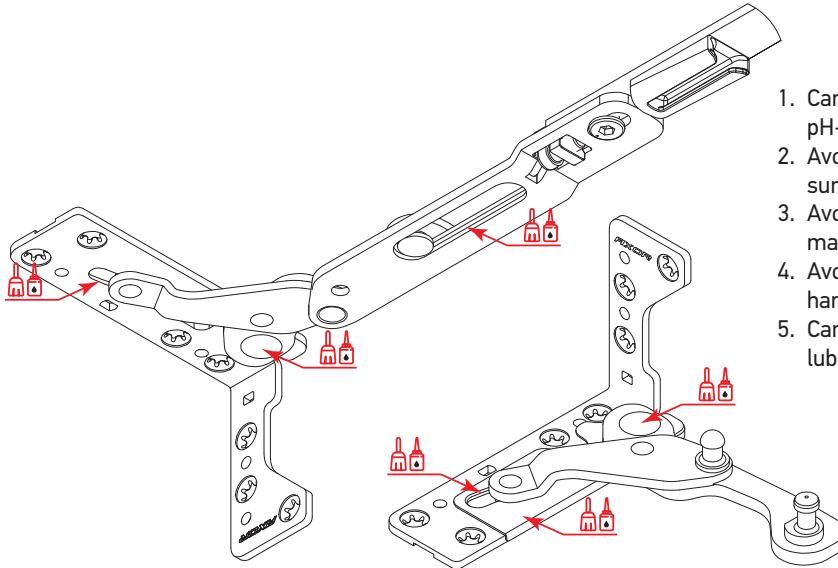




Care of hardware Adjustments

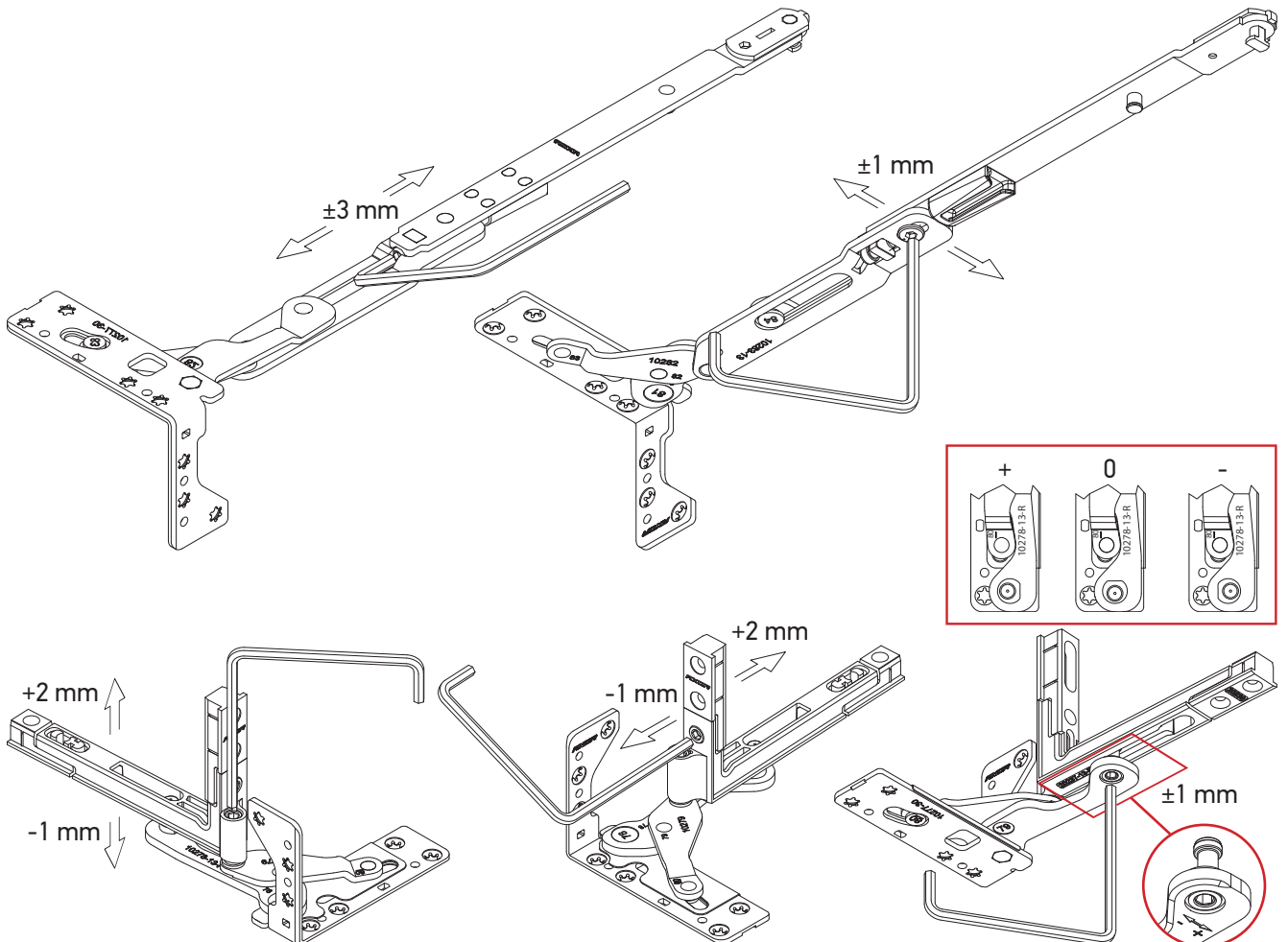
Tools / Installation / Adjustments

For reliable and long-term working of window hardware it is necessary to adhere to simple rules of operation:



1. Carry out cleaning of hardware with pH-neutral means
2. Avoid mechanical damage to elements and their surface
3. Avoid contact of window hardware with building materials
4. Avoid exposure of aggressive acid vapors to window hardware
5. Carry out regularly (1 time per year) cleaning and lubrication of all major components of hardware

Adjustments



AXOR[®]

ELITE +

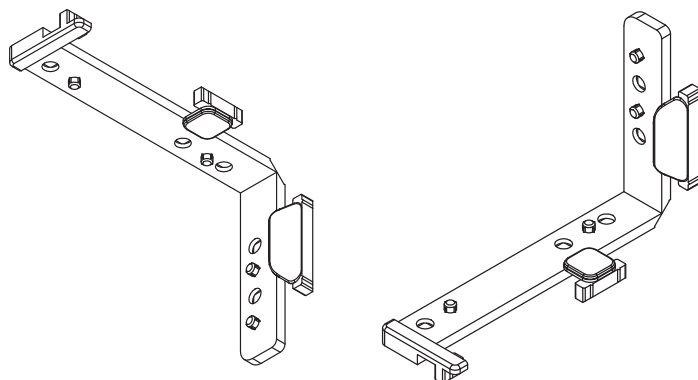
Profile-dependent elements

AXOR

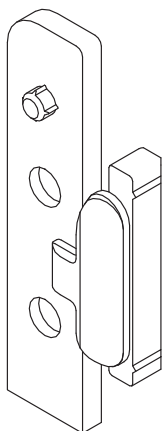


Concealed hinge packer

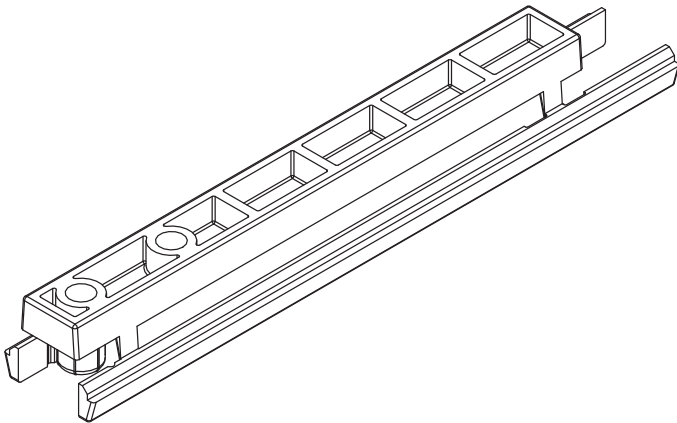
Profile-dependent elements



Description	Part No.
Concealed hinge packer, WDS, VEKA, 13 mm, left / right	A7120-13-L/R03
Concealed hinge packer, EUROCELL LOGIC 70 OVALO, 13 mm, left / right	A7121-13-L/R03
Concealed hinge packer, LINIAR, 13 mm, left / right	A7122-13-L/R03
Concealed hinge packer, WINTECH, 13 mm, left / right	A7123-13-L/R03
Concealed hinge packer, REHAU, 13 mm, left / right	A7124-13-L/R03
Concealed hinge packer, ALUPLAST 2000, 13 mm, left / right	A7125-13-L/R03
Concealed hinge packer, KBE, left / right	A7126-00-L/R03
Concealed hinge packer, ALUPLAST 4000, 13 mm, left / right	A7127-13-L/R03
Concealed hinge packer, DECEUNINCK, 13 mm, left / right	A7128-13-L/R03
Concealed hinge packer, GEALAN S8000, 13 mm, left / right	A7154-13-L/R03
Concealed hinge packer, SALAMANDER 3D, 13 mm, left / right	A7155-13-L/R03
Concealed hinge packer, DECEUNINCK ZENDOW/LEGEND, 13 mm, left / right	A7156-13-L/R03
Concealed hinge packer, SALAMANDER bluEvolution, 13 mm, left / right	A7157-13-L/R03



Description	Part No.
Concealed hinge packer for aluminium doorstep WDS, VEKA, 13 mm, left / right	A7221-13-L/R03
Concealed hinge packer for aluminium doorstep KBE, 13 mm, left / right	A7222-13-L/R03
Concealed hinge packer for aluminium doorstep ALUPLAST 4000, 13 mm, left / right	A7223-13-L/R03



Description

Part No.

Cover of concealed hinge for aluminium doorstep

A7205-00-N03



AXOR INDUSTRY
32, Pratsi Avenue,
Dnipro, 49041, Ukraine
www.axorindustry.com